



## Instructions and Parts List

**3M-Matic**<sup>™</sup>

**8000a-8000a3**

Type 11400

**Adjustable**

**Case Sealer**

**with**

**AccuGlide**<sup>™</sup> **3**

**Taping Heads**

Serial No. \_\_\_\_\_  
For reference, record machine serial number here.



**3M Industrial Adhesives and Tapes**

3M Center, Building 220-5E-06

St. Paul, MN 55144-1000



### Important Safety Information

BEFORE INSTALLING  
OR OPERATING THIS  
EQUIPMENT

Read, understand, and  
follow all safety and  
operating instructions.

### Spare Parts

It is recommended you  
immediately order the  
spare parts listed in the  
"Spare Parts/Service  
Information" section.

These parts are expected  
to wear through normal  
use, and should be kept  
on hand to minimize  
production delays.

"3M-Matic" and "AccuGlide" are Trademarks of,  
3M St. Paul, MN 55144-1000  
Printed in U.S.A.

© 3M 2014 44-0009-2134-4 (B062514-NA)



This instruction manual covers safety aspects, handling and transport, storage, unpacking, preparation, installation, operation, adjustments, maintenance, troubleshooting, repair work and servicing plus parts list of the **3M-Matic™** **8000a-8000a3** adjustable case sealer.

**3M Industrial Adhesives and Tapes**  
**3M Center, Building 220-5E-06**  
**St. Paul, MN 55144-1000**

Edition June 2014

Copyright 3M 2014  
All rights reserved

The manufacturer reserves the right to change the product at any time without notice.

---

## Replacement Parts and Service Information

---

### To Our Customers:

This is the 3M-Matic™/AccuGlide™/Scotch® equipment you ordered. It has been set up and tested in the factory with Scotch® tapes. If technical assistance or replacement parts are needed, call or fax the appropriate number listed below.

Included with each machine is an Instructions and Parts List manual.


### Technical Assistance / Replacement Parts and Additional Manuals:

Contact your local service provider help line 1-800-328-1390. Provide the customer support coordinator with the model/machine name, machine type, and serial number that are located on the identification plate (For example: Model 8000a-8000a3 - Type 11400 - Serial Number 13282).

3M Tape Dispenser Parts  
241 Venture Drive  
Amery, WI 54001-1325

1-800-344-9883  
Fax: 1-715-268-8153

### Identification Plate

<b>3M</b> 3M Company St. Paul, MN 55144 USA	Part Number	<b>3M-Matic™</b> For Commercial Use Only			 4000583
	Model	Year	Ampere	Watt	
Type	Serial Number	Volt	Hertz	Phase	

Minimum billing on parts orders will be \$25.00. Replacement part prices available on request.  
\$10.00 restocking charge per invoice on returned parts



3M Industrial Adhesives and Tapes  
3M Center, Building 220-5E-06  
St. Paul, MN 55144-1000

3M-Matic™, AccuGlide™ and Scotch™  
are Trademarks of  
3M St. Paul, MN 55144-1000  
Printed in U.S.A.

THIS PAGE IS BLANK

## Replacement Parts And Service Information

---

### To Our Customers:

This is the 3M-Matic™/AccuGlide™/Scotch® equipment you ordered. It has been set up and tested in the factory with Scotch® tapes. If any problems occur when operating this equipment and you desire a service call or phone consultation, call, write, or fax the appropriate number listed below.

Included with each machine is an Instructions and Parts List manual.

### SERVICE, REPLACEMENT PARTS, AND ADDITIONAL MANUALS

#### AVAILABLE DIRECT FROM:



Order parts by part number, part description, and quantity required. Also, when ordering parts or additional manuals, include model/machine name, machine type, and serial number that are located on the identification plate.



**3M Industrial Adhesives and Tapes**  
3M Center, Building 220-5E-06  
St. Paul, MN 55144-1000

3M-Matic™, AccuGlide™ and Scotch™  
are Trademarks of  
3M, St. Paul, MN 55144-1000  
Printed in U.S.A.

THIS PAGE IS BLANK

**TABLE OF CONTENTS - MANUAL 1: 8000a-8000a3 Adjustable Case Sealer**  
**(For Taping Head Information - See Manual 2 or 3: AccuGlide™ 3 Taping Heads - 2 Inch or 3 Inch)**

<b>8000a-8000a3 Adjustable Case Sealer</b>	<b>Page</b>
Cover Page	
Replacement Parts and Service Information .....	i - ii
Table of Contents .....	iii - v
Acronyms and Abbreviations .....	vi
<b>1. Introduction</b>	
1.1 Manufacturing Specifications / Description / Intended Use .....	1 - 2
1.2 How to Read and Use the Manual .....	2
1.2.1 Importance of the Manual .....	2
1.2.2 Manual Maintenance .....	2
1.2.3 Consulting the Manual .....	2
1.2.4 How to Update the Manual in Case of Modifications .....	2
<b>2. General Information</b>	
2.1 Identification Data .....	3
2.2 After-Sale Service .....	3
2.3 Warranty / Contents .....	4
<b>3. Safety</b>	
3.1 General Safety Information .....	5
3.2 Signal Words Explanation .....	5
3.3 Table of Warnings .....	6 - 7
3.4 Operator's Qualifications Definition .....	8
3.5 Number of Operators .....	8
3.6 Safe Use of the Machine Instructions .....	8
3.7 Residual Hazards .....	8
3.8 Prevent Other Hazards - Recommendations and Measures .....	8
3.9 Personal Safety Measures .....	8
3.10 Incorrect / Predictable Actions Not Allowed .....	8
3.11 Operator's Required Skill Levels .....	9
3.12 Component Locations .....	10
3.13 Table of Warnings and Replacement Labels .....	11
<b>4. Technical Specifications</b>	
4.1 Power Requirements .....	12
4.2 Operating Rate .....	12
4.3 Operating Conditions .....	12
4.4 Machine Noise Level .....	12
4.5 Set-Up Recommendations .....	12
4.6 Tape .....	13
4.7 Tape Width .....	13
4.8 Tape Roll Diameter .....	13
4.9 Tape Application Leg Length - Standard .....	13
Tape Application Leg Length - Optional	
4.10 Box Board .....	13
4.11 Box Weight and Size Capacities .....	13 - 14
4.12 Machine and Packaged Machine Dimensions .....	15

THIS PAGE IS BLANK



**5. Shipment, Handling, and Storage**

5.1 Packed Machine Shipment and Handling ..... 16  
 5.2 Overseas Shipment Packaging (Optional) ..... 16  
 5.3 Handling and Transportation of Uncrated Machine ..... 16  
 5.4 Machine Storage ..... 16

**6. Unpacking**

6.1 Uncrating ..... 17  
 6.2 Packaging Materials Disposal ..... 17

**7. Installation**

7.1 Operating Conditions ..... 18  
 7.2 Space Requirements for Machine Operation and Maintenance ..... 18  
 7.3 Tool Kit Supplied with the Machine ..... 18  
 7.4 Machine Positioning ..... 18  
 7.5 Plastic Ties Removal ..... 19  
 7.6 Assembly Completion ..... 19  
 7.7 Taping Heads Completion ..... 20  
 7.8 Outboard Tape Roll Holder ..... 20  
 7.9 Preliminary Electric Inspection ..... 20  
 7.10 Main Power Machine Connection and Inspection ..... 20  
 7.11 Phases Inspection ..... 20

**8. Theory of Operation**

8.1 Working Cycle Description ..... 21  
 8.2 Running Mode Definition ..... 21  
     8.3.1 Normal Stop Procedure ..... 21  
     8.3.2 Emergency Stop ..... 21

**9. Controls**

9.1 Box Width Adjusting Knobs ..... 22  
 9.2 Box Height Adjusting Crank ..... 22  
 9.3 Start / Stop Main Switch ..... 22  
 9.4 Emergency Stop Button (Latching) ..... 22

**10. Safety devices**

10.1 Blade Guards ..... 23  
 10.2 Emergency Stop Button ..... 23  
 10.3 Electric System / Circuit Breaker ..... 23

**11. Set-Up and Adjustments**

11.1 Box Width Adjustment ..... 24  
 11.2 Box Height Adjustment ..... 24  
 11.3 Top Flap Compression Roller Adjustment ..... 24  
 11.4 Changing the Tape Leg Length ..... 24  
 11.5 Special Set-Up Procedure for Outer Column Re-Positioning ..... 25 - 26  
 11.6 Run Boxes to Check Adjustment ..... 26

THIS PAGE IS BLANK

**TABLE OF CONTENTS** (continued)

---

**12. Operation**

12.1 Operator's Correct Working Position ..... 27  
12.2 Starting the Machine ..... 27  
12.3 Starting Production ..... 27  
12.4 Tape Replacement ..... 27  
12.5 Box Size Adjustment ..... 27  
12.6 Cleaning ..... 27  
12.7 Table of Adjustments ..... 27  
12.8 Safety Devices Inspection ..... 27  
12.9 Trouble Shooting ..... 28

**13. Maintenance**

13.1 Safety Measures (see section 3) ..... 29  
13.2 Tools and Spare Parts Supplied with Machine ..... 29  
13.3 Maintenance Operations - Recommended Inspections and Frequency ..... 29  
13.4 Inspections to be Performed Before and After Every Maintenance Operation ..... 29  
13.5 Safety Features (Inspection Efficiency) ..... 29  
13.6 Machine Cleaning ..... 29  
13.7 Cutter Blade Cleaning ..... 29  
13.8 Drive Belt Replacement ..... 30 - 31  
13.9 Drive Pulley Ring ..... 31  
13.10 Drive Belt Tension ..... 32  
13.11. Special Set-Up Procedures ..... 32 - 38  
    13.11.1 Case Sealer Frame ..... 32  
    13.11.2 Taping Heads ..... 33  
13.12 Maintenance Work Log ..... 34

**14. Additional Instructions**

14.1 Machine Disposal Information ..... 35  
14.2 Fire emergency ..... 35

**15. Enclosures and Special Information**

15.1 Statement of Conformity ..... 35  
15.2 Hazardous Substances Emission ..... 35

**16. Technical Documentation and Information**

16.1 Electric Diagrams ..... 37  
16.2 Spare Parts / Ordering ..... 38 - 39

**Drawings and Parts Lists** ..... 41 - End of Manual

**TAPING HEAD INFORMATION -  
MANUAL 2: AccuGlide™ 3 Taping Heads - 2 Inch or 3 Inch (See Manual 2 or 3 for Table of Contents)**

## ABBREVIATIONS AND ACRONYMS

---

### LIST OF ABBREVIATIONS, ACRONYMS

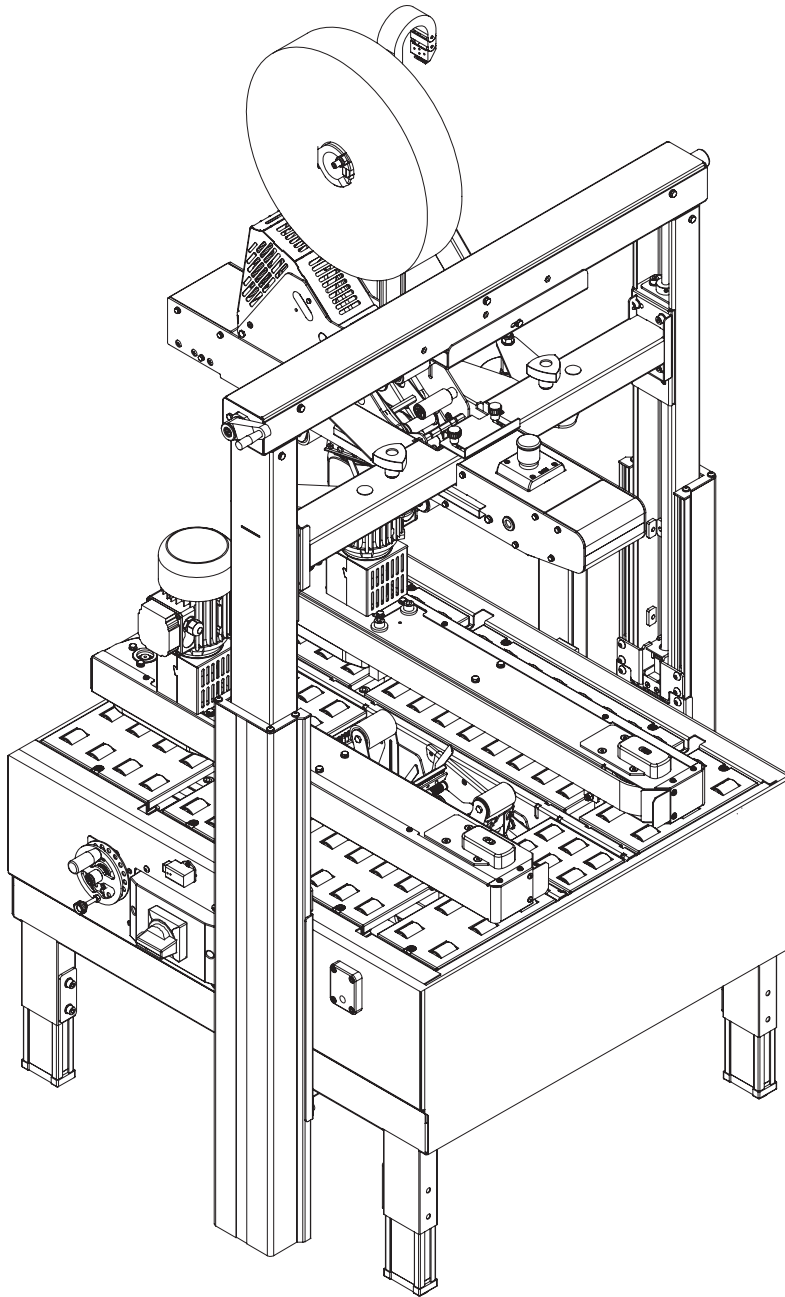
3M-Matic	- Trademark of 3M St. Paul, MN 55144- 1000
AccuGlide	- Trademark of 3M St. Paul, MN 55144-1000
Scotch	- Trademark of 3M St. Paul, MN 55144-1000
Drw.	- drawing
Ex.	- for example
Fig.	- exploded view figure no. (spare parts)
Figure	- Illustration
Max.	- maximum
Min.	- minimum
Nr.	- number
N/A	- not applicable
OFF	- machine not operating
ON	- machine operating
PLC	- Programmable Logic Control
PP	- Polypropylene
PTFE	- Polytetraflourethelene
PU/PU Foam	- Polyurethane Foam
PVC	- Poly-vinyl chloride
W	- Width
H	- Height
L	- Length

## 1-INTRODUCTION

---

### 1.1 Manufacturing Specifications / Description / Intended Use

The **3M-Matic™ 8000a-8000a3 Adjustable Case Sealer** with **AccuGlide™ 3** Taping Heads is designed to apply a “C” clip of **Scotch®** pressure-sensitive film box sealing tape to the top and bottom center seam of regular slotted containers. The 8000a-8000a3 is manually adjustable to a wide range of box sizes (see "Specifications Section – Box Weight and Size Capacities").



#### **3M-Matic™ 8000a-8000a3 Adjustable Case Sealer, Type 11400**

**Note** – Shown above is the lower tape supply roll and bracket assembly in the alternate location.

### 1.1 Manufacturing Specifications / Description / Intended Use (continued)

The 3M-Matic™ case sealing machines have been designed and manufactured in compliance with the legal requirements at the date of inception.

### 1.2 How to Read and Use the Instruction Manual

This instruction manual covers safety aspects, handling and transport, storage, unpacking, preparation, installation, operation, set-up and adjustments, technical and manufacturing specifications, maintenance, troubleshooting, repair work and servicing, electric diagrams, warranty information, disposal (ELV), a definition of symbols, plus a parts list of the 3M-Matic™ 8000a-8000a3 Adjustable case sealer 3M Industrial Adhesives and Tapes Division 3M Center, Bldg. 220-5E-06 St. Paul, MN 55144-1000 (USA) Edition June 2014 Copyright 3M 2014 All rights reserved. The manufacturer reserves the right to change the product at any time without notice Publication © 3M 2014 44-0009-2134-4.

#### 1.2.1 Importance of the Manual

The manual is an important part of the machine; all information contained herein is intended to enable the equipment to be maintained in perfect condition and operated safely. Ensure that the manual is available to all operators of this equipment and is kept up to date with all subsequent amendments. Should the equipment be sold or disposed of, please ensure that the manual is passed on. Electrical and pneumatic diagrams are included in the manual. Equipment using PLC controls and/or electronic components will include relevant schematics or programs in the enclosure and in addition, the relevant documentation will be delivered separately.

#### 1.2.2 Manual Maintenance

Keep the manual in a clean and dry place near the machine. Do not remove, tear, or rewrite parts of the manual for any reason. Use the manual without damaging it. In case the manual has been lost or damaged, ask your after sale service for a new copy.

#### 1.2.3 Consulting the Manual

The manual is composed of:

- Pages which identify the document and the machine
- Index of the subjects
- Instructions and notes on the machine
- Enclosures, drawings and diagrams
- Spare parts (last section)

All pages and diagrams are numbered. The spare parts lists are identified by the figure identification number. All the notes on safety measures or possible dangers are identified by the symbol:



#### 1.2.4 How to Update the Manual in Case of Modifications to the Machine

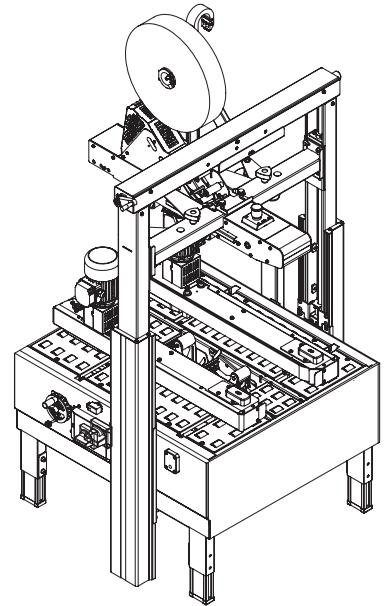
Modifications to the machine are subject to manufacturer's internal procedures. The user receives a complete and up-to-date copy of the manual together with the machine. Afterwards the user may receive pages or parts of the manual which contain amendments or improvements made after its first publication. The user must use them to update this manual.


## 2-GENERAL INFORMATION

---

### 2.1 Data Identifying Manufacturer and Machine

<b>3M</b> <b>3M Industrial Adhesives and Tapes</b>  3M Center Bldg. 220-5E-06 St. Paul, MN 55144-1000 (USA)
---



<b>3M</b> 3M Company St. Paul, MN 55144 USA	Part Number <input type="text"/>	<b>3M-Matic™</b> For Commercial Use Only		
Model <input type="text"/>	Serial Number <input type="text"/>	Year <input type="text"/>	Ampere <input type="text"/>	Watt <input type="text"/>
Type <input type="text"/>		Volt <input type="text"/>	Hertz <input type="text"/>	Phase <input type="text"/>

### 2.2 Data for Technical Assistance and Service

<b>AGENT/DISTRIBUTOR OR LOCAL AFTER SALE SERVICE:</b>
---

### 2.3 Warranty

**Equipment Warranty and Limited Remedy: THE FOLLOWING WARRANTY IS MADE IN LIEU OF ALL OTHER WARRANTIES, EXPRESS OR IMPLIED, INCLUDING, BUT NOT LIMITED TO, THE IMPLIED WARRANTY OF MERCHANTABILITY, THE IMPLIED WARRANTY OF FITNESS FOR A PARTICULAR PURPOSE AND ANY IMPLIED WARRANTY ARISING OUT OF A COURSE OF DEALING, A CUSTOM OR USAGE OF TRADE:**

3M sells its **3M-Matic™ 8000a-8000a3 Adjustable Case Sealer, Type 11400** with the following warranties:

1. The drive belts and the taping head knives, springs and rollers will be free from all defects for ninety (90) days after delivery.
2. All other taping head parts will be free from all defects for three (3) years after delivery.
3. All other parts will be free from all defects for two (2) years after delivery.

If any part is proved to be defective within its warranty period, then the exclusive remedy and 3M's and seller's sole obligation shall be, at 3M's option, to repair or replace the part, provided the defective part is returned immediately to 3M's factory or an authorized service station designated by 3M. A part will be presumed to have become defective after its warranty period unless the part is received or 3M is notified of the problem no later than five (5) calendar days after the warranty period. If 3M is unable to repair or replace the part within a reasonable time, then 3M at its option, will replace the equipment or refund the purchase price. 3M shall have no obligation to provide or pay for the labor required to install the repaired or replacement part. 3M shall have no obligation to repair or replace (1) those parts failing due to operator misuse, carelessness, or due to any accidental cause other than equipment failure, or (2) parts failing due to non-lubrication, inadequate cleaning, improper operating environment, improper utilities or operator error.

**Limitation of Liability:** 3M and seller shall not be liable for direct, indirect, special, incidental or consequential damages based upon breach of warranty, breach of contract, negligence, strict liability or any other legal theory.

The foregoing Equipment Warranty and Limited Remedy and Limitation of Liability may be changed only by a written agreement signed by authorized officers of 3M and seller.

---

### Contents — 8000a-8000a3 Adjustable Case Sealer

---

- (1) 8000a-8000a3 Adjustable Case Sealer, Type 11400
- (1) Upper Assembly Height Adjustment Crank Hardware
- (1) Tool and Spare Parts Kit
- (1) Instruction and Parts Manual



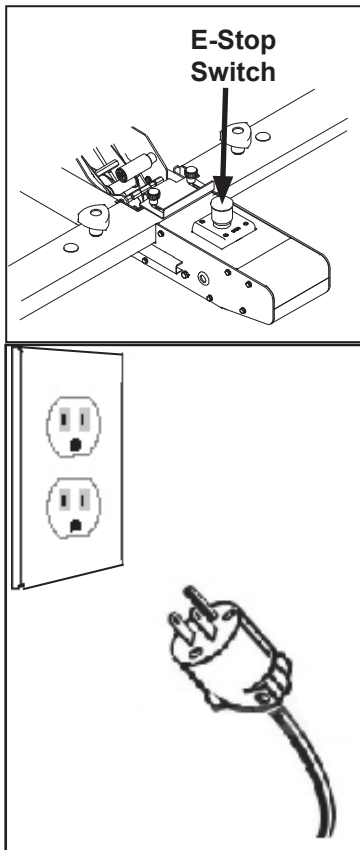
## 3-SAFETY

### 3.1 General Safety Information

Read all the instructions carefully before starting work with the machine; please pay particular attention to sections marked by the symbol:



Figure 3-1



### 3.2 Explanation of Signal Word and Possible Consequences



This safety alert symbol identifies important messages in this manual.  
**READ AND UNDERSTAND THEM BEFORE INSTALLING OR OPERATING THIS EQUIPMENT.**




**Caution:** Indicates a potentially hazardous situation, which, if not avoided, may result in minor or moderate injury and/or property damage.





**Warning:** Indicates a potentially hazardous situation, which, if not avoided, could result in death or serious injury and/or property damage.


The machine is provided with a LATCHING EMERGENCY STOP BUTTON (**Figure 3-1**); when this button is pressed, it stops the machine at any point in the working cycle. Maintain clear access to power cord while machine is operating. Disconnect plug from power source before machine maintenance (**Figure 3-1**). Also disconnect air if the machine has a pneumatic system. Keep this manual in a handy place near the machine. This manual contains information that will help you to maintain the machine in a good and safe working condition.


3.3 Table of Warnings

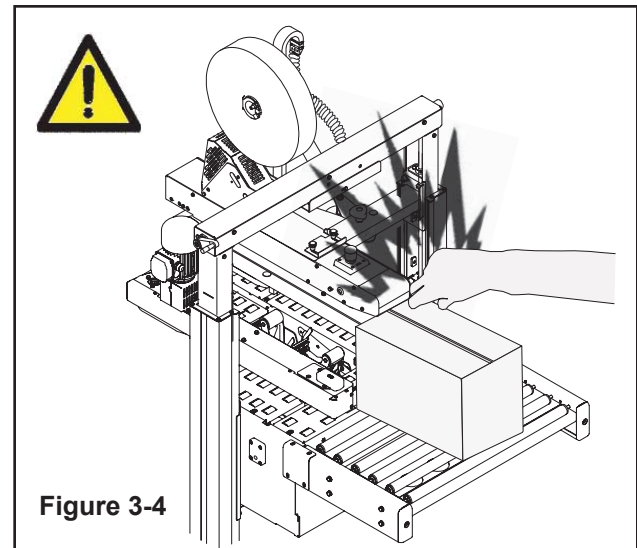
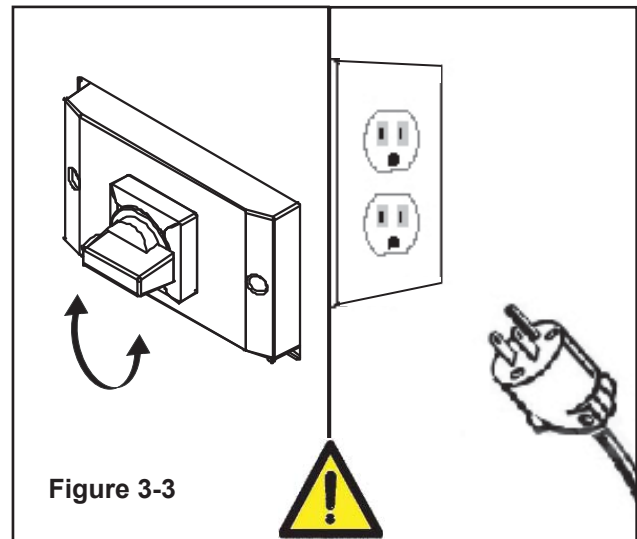
 <b>WARNING</b>
<ul style="list-style-type: none"> <li>• <b>To reduce the risk associated with mechanical and electrical hazards:</b> <ul style="list-style-type: none"> <li>– Read, understand, and follow all safety and operating instructions before operating or servicing the case sealer.</li> <li>– Allow only properly trained and qualified personnel to operate and service this equipment.</li> </ul> </li> </ul>

 <b>WARNING</b>
<ul style="list-style-type: none"> <li>• <b>To reduce the risk associated with hazardous voltage:</b> <ul style="list-style-type: none"> <li>– Position electrical cord away from foot and vehicle traffic.</li> </ul> </li> </ul>

 <b>WARNING</b>
<ul style="list-style-type: none"> <li>• <b>To reduce the risk associated with pinches, entanglement and hazardous voltage:</b> <ul style="list-style-type: none"> <li>– Turn electrical supply off and disconnect before performing any adjustments, maintenance or servicing the machine or taping heads.</li> </ul> </li> </ul>

 <b>WARNING</b>
<ul style="list-style-type: none"> <li>• <b>To reduce the risk associated with pinches and entanglement hazards:</b> <ul style="list-style-type: none"> <li>– Do not leave the machine running while unattended.</li> <li>– Turn the machine off when not in use.</li> <li>– Never attempt to work on any part of the machine, load tape, or remove jammed boxes from the machine while the machine is running.</li> </ul> </li> </ul>

	<p><b>SAFETY INSTRUCTIONS</b></p> <ol style="list-style-type: none"> <li>1. Shut off machine before adjusting</li> <li>2. Unplug electric power before servicing</li> <li>3. Do not leave machine running unattended</li> <li>4. Refer to instruction manual for complete setup, operating, and servicing information</li> </ol>
<p>Figure 3-2</p>	



**Important!** Cavity in the conveyor bed. Never put your hands inside any part of the machine while it is working. Serious injury may occur (Figure 3-4).



### WARNING

- To reduce the risk associated with sharp blade hazards:
  - Keep hands and fingers away from tape cutoff blades under orange blade guards. The blades are extremely sharp.

**Important!** Tape cutting blade. Never remove the safety device which covers the blade on the top and bottom taping units. Blades are extremely sharp. Any error may cause serious injuries (**Figure 3-5**).



### WARNING

- To reduce the risk associated with fire and explosion hazards:
  - Do not operate this equipment in potentially flammable/explosive environments.



### WARNING

- To reduce the risk associated with muscle strain:
  - Use the appropriate rigging and material handling equipment when lifting or repositioning this equipment.
  - Use proper body mechanics when removing or installing taping heads that are moderately heavy or may be considered awkward to lift.



### CAUTION

- To reduce the risk associated with pinch hazards:
  - Keep hands clear of the upper head support assembly as boxes are transported through the machine.
  - Keep hands, hair, loose clothing, and jewelry away from box compression rollers.
  - Always feed boxes into the machine by pushing only from the end of the box.

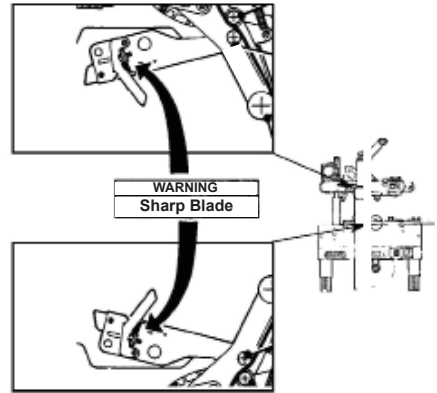


Figure 3-5

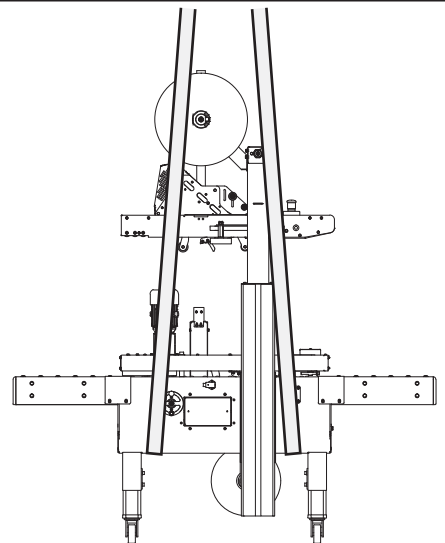


Figure 3-6

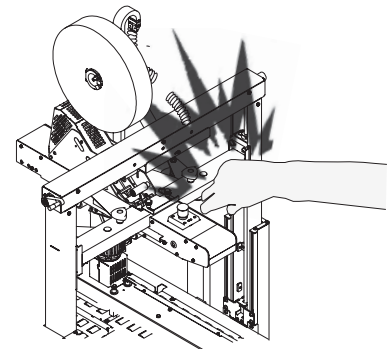


Figure 3-7

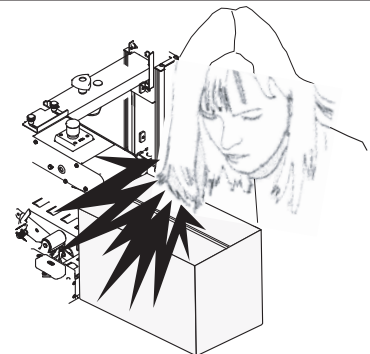


Figure 3-8

### 3.4 Operator's Qualifications

- Machine Operator
- Mechanical Maintenance Technician
- Electrical Maintenance Technician
- Manufacturer's Technician/Specialist  
(See Section 3)

### 3.5 Number of Operators

The operations described below have been analyzed by the manufacturer; the recommended number of operators for each operation provides the best and safest work performance.

**Note:** A smaller or greater number of operators could be unsafe.

### 3.6 Instructions for a Safe Use of the Machine / Definition of Operator's Qualifications

Only persons who have the skills described in the skill levels section should be allowed to work on the machine. It is the responsibility of the user to appoint the operators having the appropriate skill level and the appropriate training for each category of job.

### 3.7 Residual Hazards

The case sealer 8000a-8000a3 incorporates various safety protections which should never be removed or disabled. It is essential that the operator and service personnel be warned that hazards exist which cannot be eliminated.

### 3.8 Recommendations and Measures to Prevent Other Hazards which Cannot be Eliminated

- The operator must stay on the working position shown in the Operation Section. He must never touch the running driving belts or put his hands inside any cavity.
- The operator must pay attention to the blades during the tape replacement.



## WARNING

- **To reduce the risk associated with mechanical and electrical hazards:**
  - Read, understand, and follow all safety and operating instructions before operating or servicing the case sealer.
  - Allow only properly trained and qualified personnel to operate and service this equipment.

### 3.9 Personal Safety Measures

Safety glasses, safety gloves, safety helmet, safety shoes, air filters, ear muffs - None is required except when recommended by the user.

### 3.10 Predictable Actions which are Incorrect and Not Allowed

- Never try to stop/hold the box while being driven by the belts.
- Never remove or disable the safety devices.
- Only authorized personnel should be allowed to carry out the adjustments, repairs or maintenance which require operation with reduced safety protections. During such operations, access to the machine must be restricted. When the work is finished, the safety protections must immediately be reactivated.
- The cleaning and maintenance operations must be performed after disconnecting the electric power.
- Do not modify the machine or any part of it.
- Clean the machine using only dry cloths or light detergents. Do not use solvents, petrols, etc.
- Install the machine following the suggested layouts and drawings.

**3.11 Operator's Skill Levels Required to Perform the Main Operations on the Machine**

The Table shows the minimum operator's skill for each machine operation.

**Important:** The factory manager must ensure that the operator has been properly trained on all the machine functions before starting work.

**Skill 1: Machine Operator**

This operator is trained to use the machine with the machine controls, to feed cases into the machine, make adjustments for different case sizes, to change the tape and to start, stop and restart production.

**Skill 2: Mechanical Maintenance Technician**

This operator is trained to use the machine as the MACHINE OPERATOR and in addition is able to:

- Work with the safety protection disconnected
- Check and adjust mechanical parts
- Carry out machine maintenance operations/repairs

He is not allowed to work on live electrical components

**Skill 2a: Electrical Maintenance Technician**

This operator is trained to use the machine as the MACHINE OPERATOR and in addition is able to:

- Work with the safety protection disconnected
- Check and adjust mechanical parts
- Carry out machine maintenance operations / repairs / adjustments / repair electrical components

He is allowed to work on live electrical panels, connector blocks, control equipment, etc.

**Skill 3: Specialist from the Manufacturer**

Skilled operator sent by the manufacturer or its agent to perform complex repairs or modifications (on agreement with the customer).

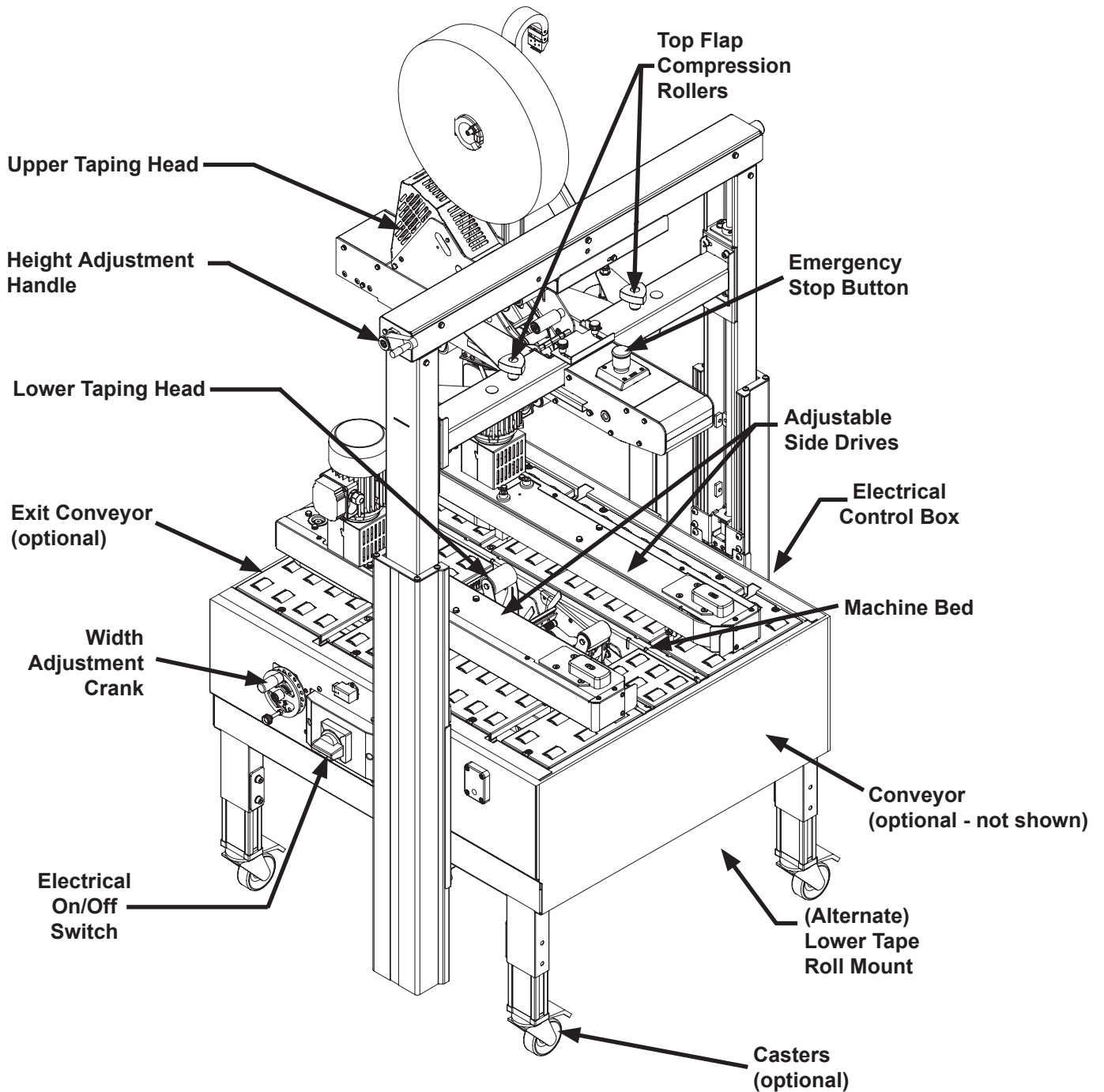
 <span style="font-weight: bold; font-size: 1.2em; margin-left: 10px;">WARNING</span>
<ul style="list-style-type: none"> <li>• <b>To reduce the risk associated with mechanical and electrical hazards:</b> <ul style="list-style-type: none"> <li>– Allow only properly trained and qualified personnel to operate and service this machine</li> </ul> </li> </ul>

**Operator's Skill Levels Required to Perform the Main Operations on Machine**

Operation	Machine Status	Required Operator Skill	Number of Operators
Machine installation and setup	Running with safety protections disabled	2 and 2a	2
Adjusting box size	Stopped by pressing the EMERGENCY STOP button	1	1
Tape replacement	Stopped by pressing the EMERGENCY STOP button	1	1
Blade replacement	Electric power disconnected	2	1
Drive belt replacement	Electric power disconnected	2	1
Ordinary maintenance	Electric power disconnected	2	1
Extraordinary mechanical maintenance	Running with safety protections disabled	3	1
Extraordinary electrical maintenance	Running with safety protections disabled	2a	1

### 3.12 Component Locations

Refer to **Figure 3-9** below to acquaint yourself with the various components and controls of the case sealer. Also refer to Manual 2 for taping head components.



**Figure 3-9 8000a-8000a3 Case Sealer Components (Left Front View)**

3.13 Table of Warnings and Replacements Labels (continued)

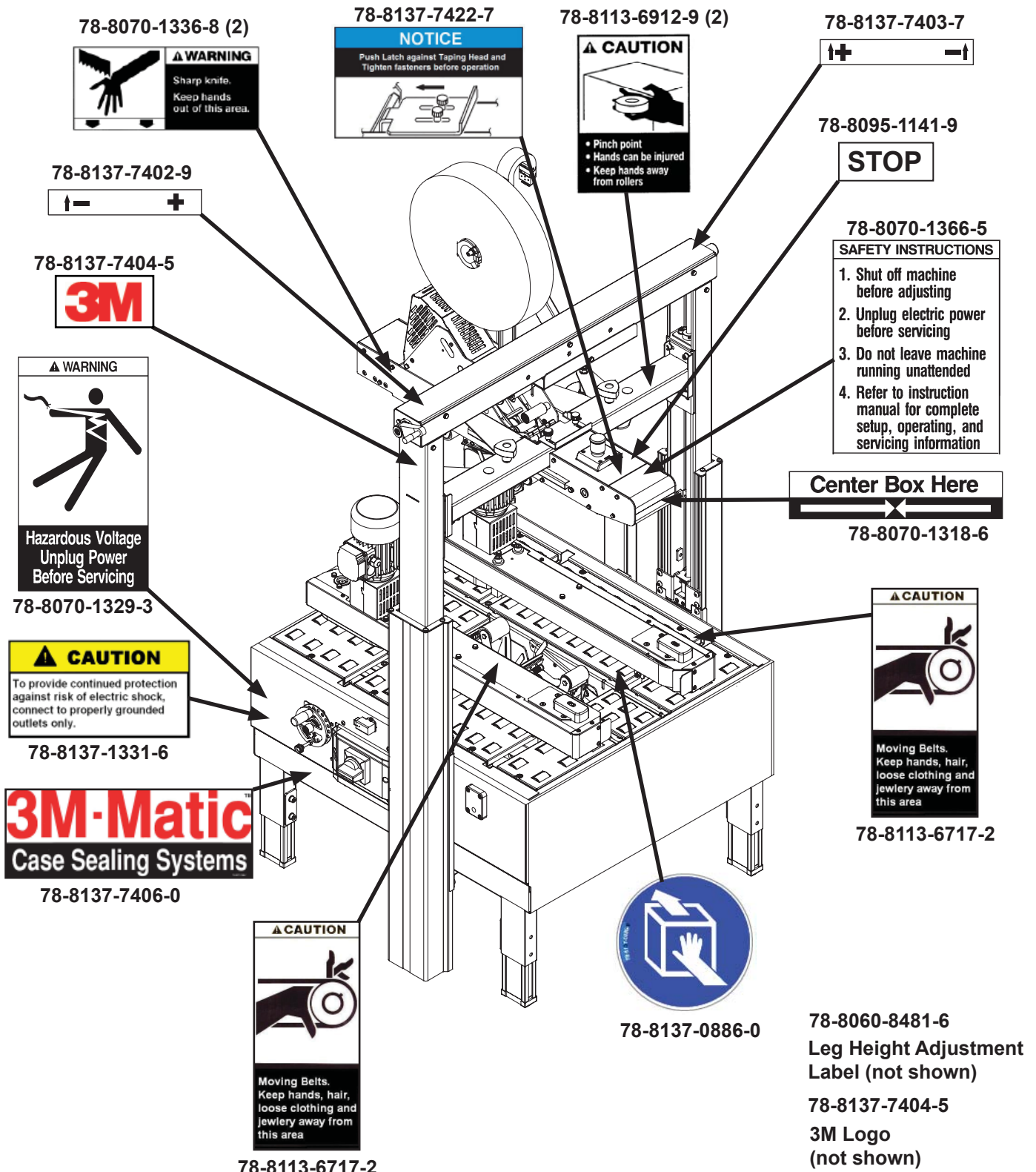


Figure 3-10 Replacement Labels / 3M Part Numbers

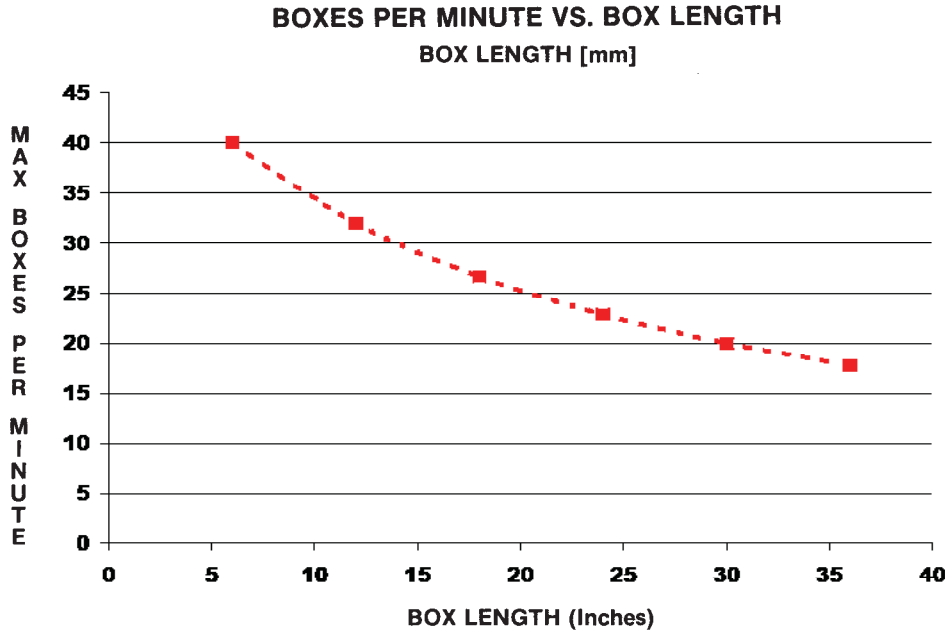
## 4-SPECIFICATIONS

### 4.1 Power Requirements:

Electrical – 120 VAC, 60 Hz, 6A

The machine is equipped with two 1/6 HP gearmotors and comes with an 2.4m [8 foot] standard neoprene covered power cord and a grounded plug. Contact your 3M Representative for power requirements not listed above. Contact your 3M Representative for power requirements not listed above.

### 4.2 Operating Rate: Belt speed is 0.5m/s [100 F.P.M.]



Actual production rate is dependent on operator's dexterity.

Boxes must be 18 inches [457mm] apart minimum.

Actual production rate is dependent on operator's dexterity. Boxes must be 18 inches (457mm) apart minimum.

### 4.3 Operating Conditions

Use in dry, relatively clean environments at 5° C to 50° C [40° F to 120° F] with clean, dry boxes.

**Note:** Machine should not be washed or subjected to conditions causing moisture condensation on components.

	<b>WARNING</b>
<ul style="list-style-type: none"><li>• <b>To reduce the risk associated with fire and explosion hazards:</b><ul style="list-style-type: none"><li>- Do not operate this equipment in potentially flammable or explosive environments.</li></ul></li></ul>	

**4.4 Machine Noise Level:** Acoustic pressure measured at a distance of 1m. from machine with Scotch PVC adhesive tape in operation; 78dB Acoustic radiation pressure at 1.6m. height with Scotch PVC adhesive tape in operation; 73dB Measurement taken with appropriate instrument: (Type SPYRI-MICROPHON 11).

### 4.5 Set-Up Recommendations:

- Machine must be level.
- Customer supplied optional infeed and exit conveyors (if used) should provide straight and level box entry/exit.
- Optional exit conveyor (powered or gravity) can help move sealed boxes away from machine.



## 4-SPECIFICATIONS (continued)

---

### 4.6 Tape

Scotch® pressure-sensitive film box sealing tapes.

### 4.7 Tape Width

50mm [2 inch] minimum to 72mm [3 inch] maximum

### 4.8 Tape Roll Diameter

Up to 406.4mm [16 inch] maximum on a 76.2mm [3 inch] diameter core.  
(Accommodates all system roll lengths of **Scotch®** film tapes.)

### 4.9 Tape Application Leg Length – Standard

70mm ± 6mm [2.75 inch ± .25 inch ]

#### Tape Application Leg Length – Optional

50mm ± 6mm [2 inch ± .25 inch]

(See "Removing Taping Heads Procedure – Changing the Tape Leg Length")

### 4.10 Box Board

Style – regular slotted containers – RSC

125 to 275 P.S.I. bursting test, single wall or double wall B or C flute.

23-44 lbs. per inch of width Edge Crush Test (ECT)

### 4.11 Box Weight and Size Capacities

A. Box Weight, filled: 5 lbs. – 85 lbs. [2.3 kg – 38.6 kg]. Contents must support flaps.

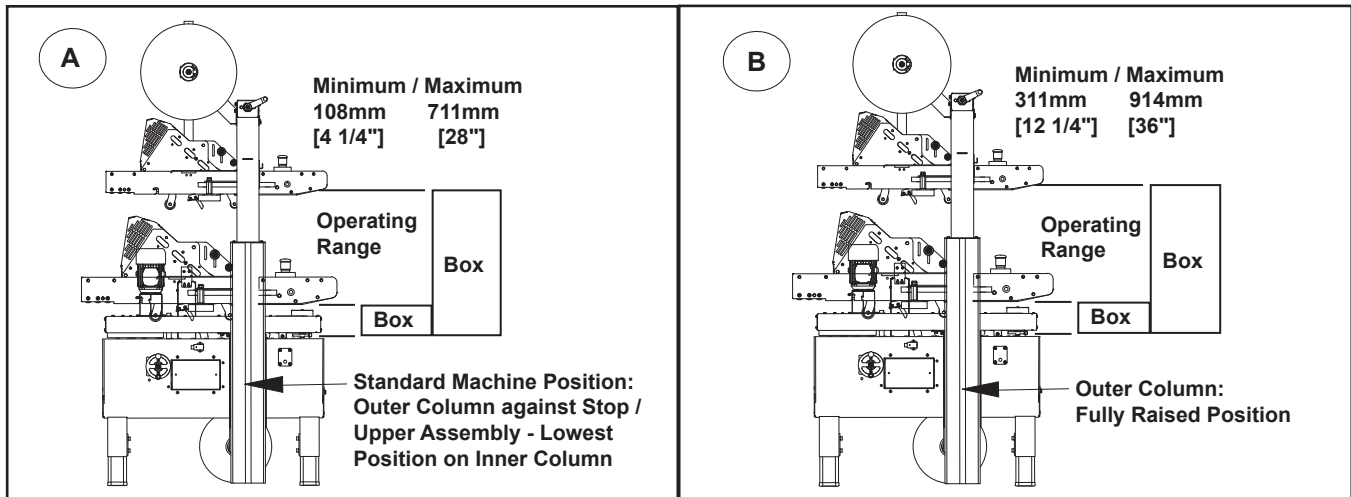
B. Box Dimensions for 8000a and 8000a3 Machines: Inches [mm]

	Length	8000a Width	8000a3 Width	(A) Standard Pos. AG 3 Tape Leg (i.e. 2 3/4" [70])	(B) Fully Raised Pos.
Mínimum	6" [152]	4 1/2" [114]	5 1/2" [140]	4 1/4" [108]	12 1/4" [311]
Máximum		N/A	21 1/2" [546]	21 1/2" [546]	36" [914]

To accommodate smaller or larger boxes, machine upper taping head frame and/or outer column assemblies can be repositioned as described in "Special Set-Up Procedure" section of this manual. Refer to illustration/chart for box height range possibilities by adjusting machine upper frame and/or outer column positioning.

**Minimum/Maximum Box Height Combinations**

(To relocate upper frame or outer columns, see "Special Set-Up Procedure".)



**Note:** Length of boxes in illustrations above are not to scale.

**Case Height Range Illustration:**

- A. Standard Machine Position:** Outer Columns positioned against Stop with Upper Drive Assembly set to Lowest Position on Inner Columns. Tape Leg Length - 2 3/4" [70mm].
- B. Raised Machine Position:** Maximum Box Height (i.e. Outer Columns and Upper Drive Assembly in Highest Position - See Special Set-Up Procedure). Tape Leg Length - 2 3/4" [70mm]

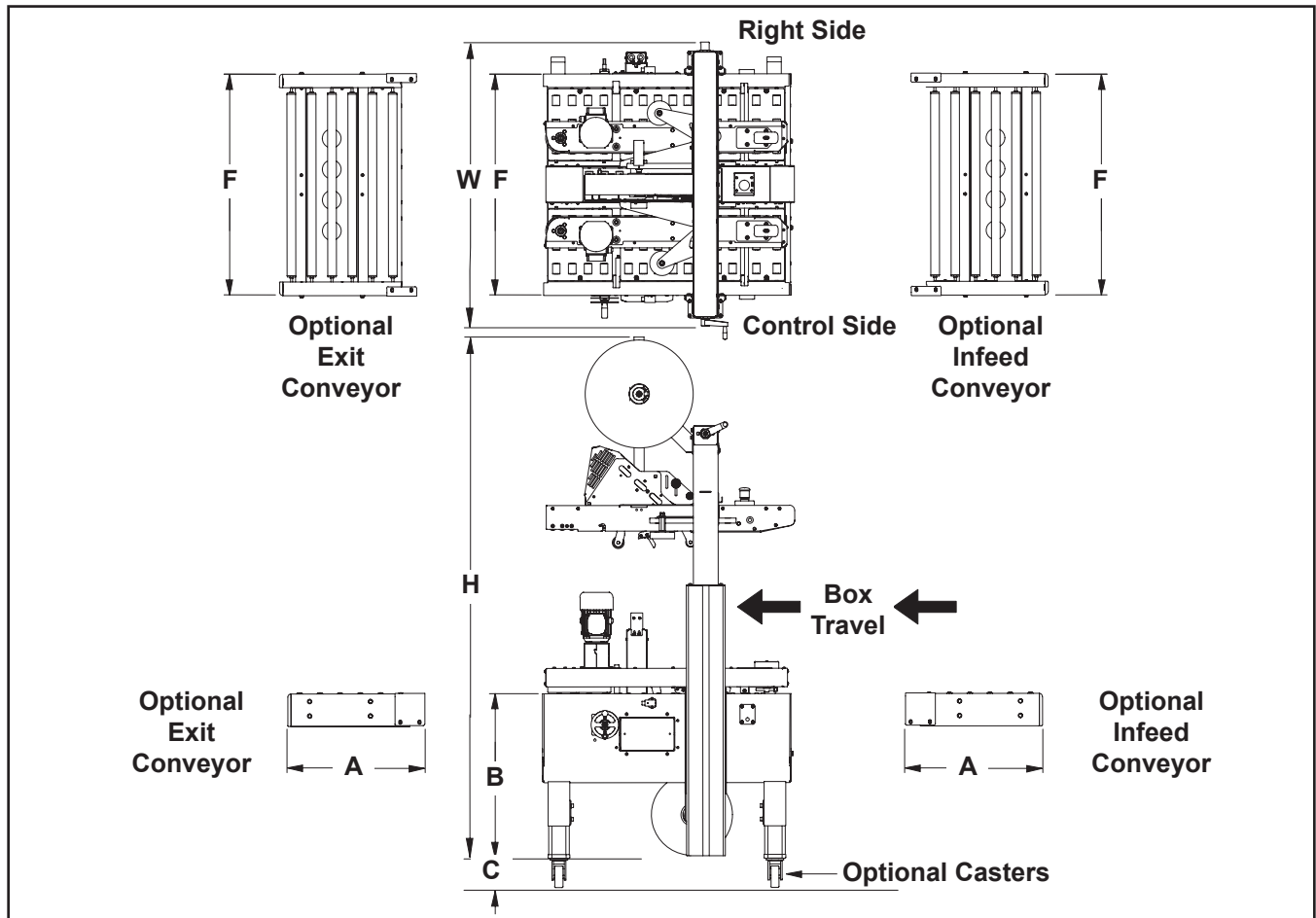
**Special modifications may be available for carton sizes not listed on previous page. Contact your 3M Representative for information.**

**Note:** The case sealer can accommodate most boxes within the size range listed above. However, if the box length (in direction of seal) to box height ratio is .6 or less, then several boxes should be test run to assure proper machine performance. Any box ratio approaching this limitation should be test run to assure performance.

**DETERMINE THE BOX LIMITATIONS BY COMPLETING THIS FORMULA:**

$$\frac{\text{BOX LENGTH IN DIRECTION OF SEAL}}{\text{BOX HEIGHT}} = \text{SHOULD BE GREATER THAN } .6$$

#### 4-Specifications (continued)



#### 4.12 Machine Dimensions

	W	L	H	A*	B	C**	F
<b>Minimum</b>							
mm	980	920	1395	460*	610	105**	620
[Inches]	[38 1/2]	[36 1/4]	[55]	[18]	[24]*	[4 3/16]	[24.5]
<b>Maximum</b>							
mm	--	--	2185	--	890	--	--
[Inches]	--	--	[86]*	--	[35]*	--	--

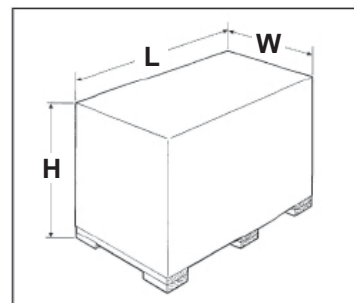
- \* Infeed/Exit conveyors are optional
- \*\* Casters and Conveyors are optional

#### Packaged Machine Dimensions:

Height (H) - 49 1/2" [1257]  
 Length (L) - 51" [1295]  
 Width (W) - 42" [1067]

#### Weight:

Crated Weight - 190 kg [425 pounds] (approximate)  
 Uncrated Weight - 170 kg [375 pounds] (approximate)



## 5-SHIPMENT-HANDLING-STORAGE, TRANSPORT

### 5.1 Shipment and Handling of Packed Machine

- The machine is fixed on the pallet with four (4) bolts and can be lifted by using a fork truck.
- The package is suitable to travel by land and by air.
- Optional sea freight package is available.

#### Packaging Overall Dimensions (Figure 5-1)

See Specifications.

During the shipment it is possible to stack a maximum of 2 machines (Figure 5-2).

### 5.2 Packaging for Overseas Shipment (Optional - Figure 5-3)

The machines shipped by sea freight are covered by an aluminum/polyester/polythene bag which contains dehydrating salts.

### 5.3 Handling and Transportation of Uncrated Machine

The uncrated machine should not be moved except for short distances and indoors ONLY. Without the supporting pallet, the machine is exposed to damage and may cause injuries. To move the machine use belts or ropes, paying attention to place them in the points indicated using care to not interfere with the lower taping head (Figure 5-4).

### 5.4 Storage of the Packed or Unpacked Machine

If the machine is not used for a long period, please take the following precautions:

- Store the machine in a dry and clean place.
- If the machine is unpacked it is necessary to protect it from dust.
- Do not stack anything over the machine.
- It is possible to stack a maximum of 2 machines (if they are in their original packing).

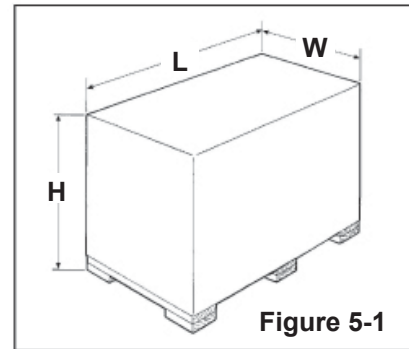


Figure 5-1

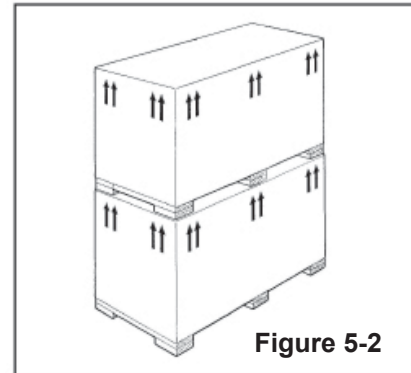


Figure 5-2

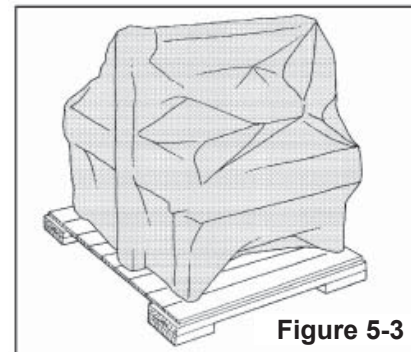


Figure 5-3

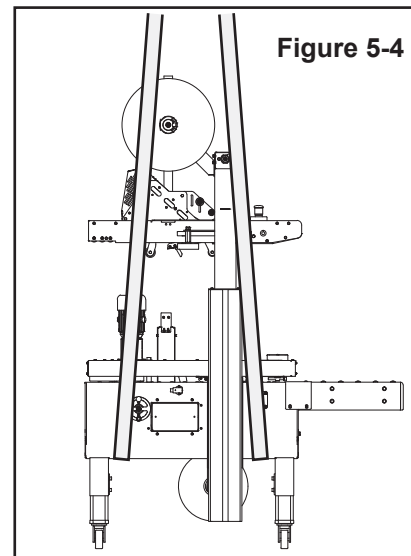
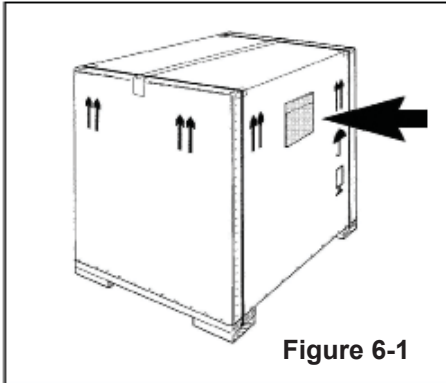


Figure 5-4

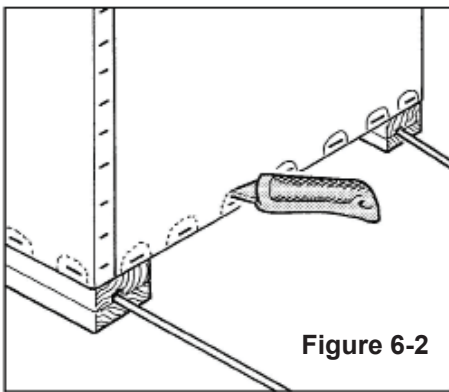
## 6-UNPACKING

### 6.1 Uncrating

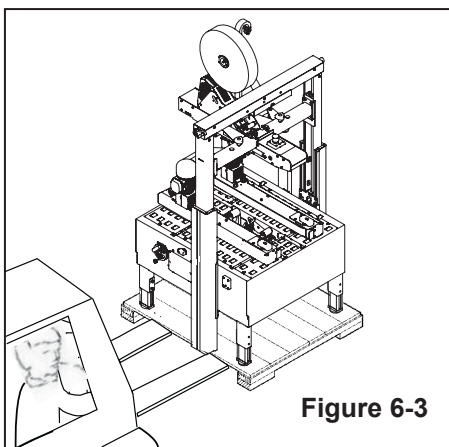
The envelope attached to the shipping box contains the uncrating instructions of the machine (**Figure 6-1**).



Cut straps. Cut out staple positions along the bottom of the shipping box (or remove staples with an appropriate tool - **Figure 6-2**).



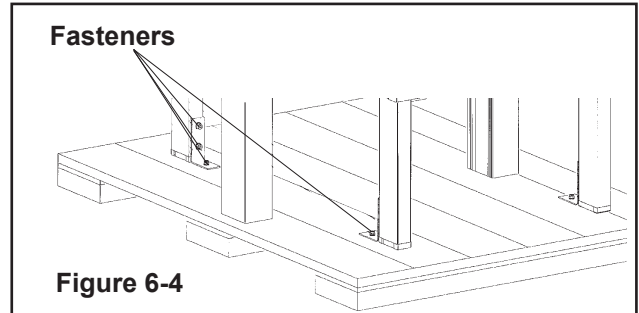
After cutting out or removing the staples, lift the shipping box in order to clear the machine (two persons required).



Transport the machine with a fork-lift truck to the operating position. Lift the pallet at the point indicated in **Figure 6-3** (weight of machine + pallet = See Specifications).

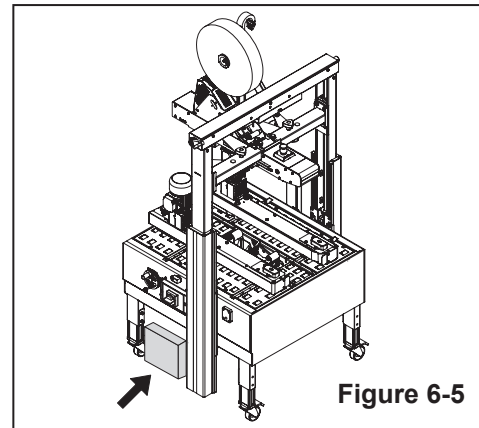
### Removal of Pallet

Using a 10mm combination wrench, remove the fasteners that secure the case sealer legs to pallet at each leg (as shown in **Figure 6-4**).



Remove the leg height adjustment cap screws and replace with the cap screws from the tool kit. Loosen both cap screws. Remove and replace them one at a time to keep the inner threaded plate in position.

A cardboard box is located under the machine body. Retrieve the instruction manual for additional procedures of the set up. The box also contains parts removed for shipping, spare parts and tools (**Figure 6-5**).



### 6.2 Disposal of Packaging Materials

The **8000a-8000a3** package is composed of:

- Wooden pallet
- Cardboard shipping box
- Wooden supports
- Metal fixing brackets
- PU foam protection
- PP plastic straps
- Dehydrating salts in bag
- Special bag of laminated polyester/aluminium/Polyethylene (sea freight package only)
- Polyethylene protective material

For the disposal of the above materials, please follow the environmental directives or the law in your country.

## 7-INSTALLATION

### 7.1 Operating Conditions

The machine should operate in a dry and relatively clean environment (See Specifications).

### 7.2 Space Requirements for Machine Operation and Maintenance Work

Minimum distance from wall (**Figure 7-1**):

A = 1000mm.

B = 700mm.

Minimum height = 2700mm.

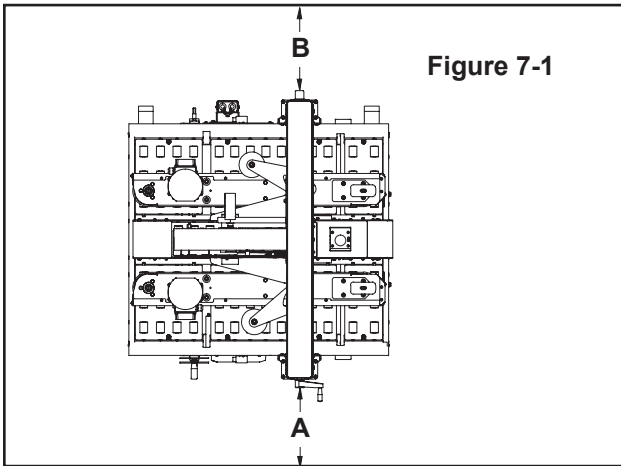


Figure 7-1

### 7.3 Tool Kit Supplied with the Machine

A tool kit containing some tools are supplied with the machine. These tools should be adequate to set-up the machine, however, other tools supplied by the customer will be required for machine maintenance.

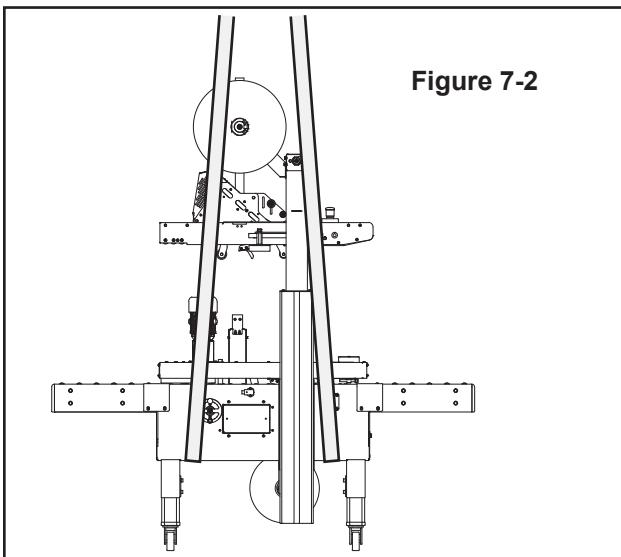


Figure 7-2

8000a-8000a3 - NA



### WARNING

- To reduce the risk associated with mechanical and electrical hazards:
  - Allow only properly trained and qualified personnel to operate and service this equipment.



### WARNING

- To reduce the risk associated with muscle strain:
  - Use the appropriate rigging and material handling equipment when lifting or repositioning this equipment.
  - Use proper body mechanics when removing or installing taping heads that are moderately heavy or may be considered awkward to lift.

### 7.4 Machine Set-Up / Bed Height

- 1 - Lift the machine with belts or ropes paying attention to place the belts in the points (**Figure 7-2**).

To set the machine bed height, do the following:

- 2 - Adjust machine bed height. The case sealer is equipped with four (4) adjustable legs that are located at the corners of the machine frame. The legs can be adjusted to obtain different machine bed heights (**Figure 7-3**). Also refer to the "Specifications" section.
- 3 - Lock the screws.
- 4 - Repeat the operation for all legs. (It is not necessary to fix or anchor the machine to the floor).
- 5 - For Outer Column Repositioning - See Special Set-up Procedure (**Section 11**).

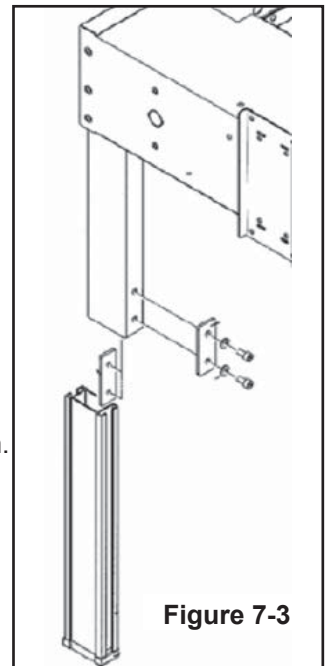
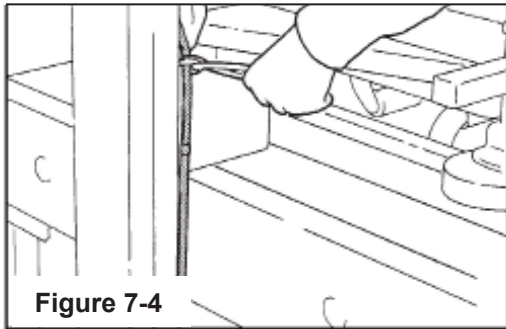


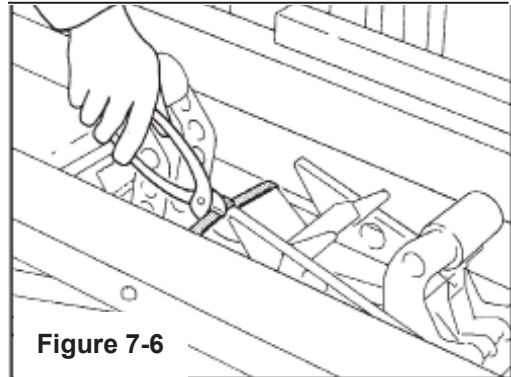
Figure 7-3

### 7.5 Removal of Plastic Ties

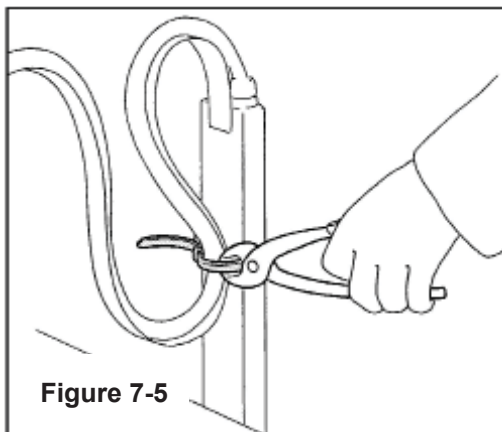
Cut the plastic which attaches the top head to the frame and remove the polystyrene blocks (Figure 7-4).



Cut the plastic ties holding the lower taping head in position (Figure 7-6).

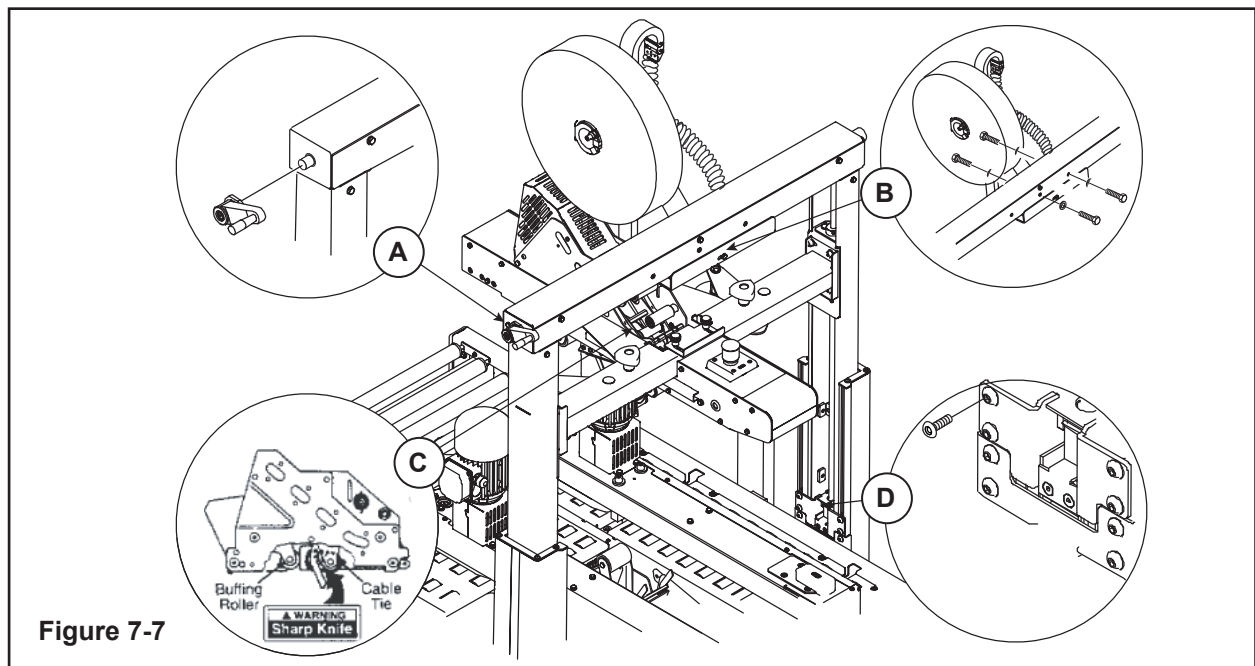


Cut the plastic strap which attaches the strip and the EMERGENCY STOP cable to the frame (Figure 7-5).



### 7.6 Assembly Completion

- 1 Crank - Install the crank handle on the top of the left column as shown (Figure 7-7A).
- 2 Tape Drum Bracket - Install the upper tape drum bracket on the top cross bar as shown (Figure 7-7B).
- 3 Stop Bracket - Raise upper head assembly (turn crank handle counterclockwise) and install the two stop brackets (provided in the parts bag). Use lower set of holes as shown in Figure 7-7D. The upper set of holes should only be used when both taping heads are adjusted to apply 50mm tape legs.

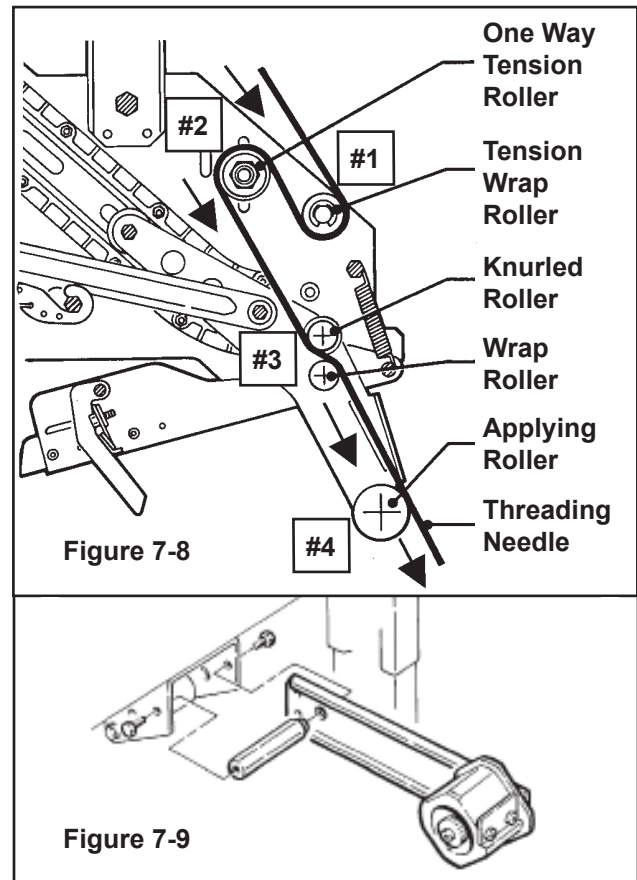


### 7.7 Completion of Taping Heads

See Manual 2 or 3 for Complete Instructions:

1. Place the Upper Taping Head in a convenient working position
2. Use **Figure 7-8** and tape threading label. Position the tape supply roll so the adhesive side of tape is facing the front of the taping head as it is pulled from the supply roll.
3. Attach the threading needle to the end of the roll. Guide the threading needle around the wrap roller (**Position 1**) then back around the one-way tension roller (**Position 2**).
4. Continue pulling the threading needle down and guide it between the two (2) rollers on the apply arm (**Position 3**).
5. Pull the threading needle down until the tape travels between the apply plate and the ears of the apply arm (**Position 4**) until it extends past the applying roller. When properly threaded the adhesive side of the tape should be facing the knurled rollers at position 2 and also position 3.
6. Cut away any excess tape and repeat steps for Lower Taping Head.

**Important** – Do not cut against the apply roller - roller damage could occur.



### 7.8 Outboard Tape Roll Holder

If you intend to use the outboard tape roll holder, proceed as follows:

- 1 - Remove the lower taping head from the machine.
- 2 - Remove the tape drum bracket assembly, stud spacer, and fasteners from the lower taping head.
- 3 - Install alternative wrap roller and bracket on the head in place of tape bracket. Replace lower head into machine.
- 4 - Install and secure tape drum bracket assembly on the entry end of the lower frame (as shown in **Figure 7-9**).

### 7.9 Preliminary Electric Inspection

Before connecting the machine to the mains please carry out the following operations:

- 7.9.1** Make sure that the socket is provided with an earth protection circuit and that both the mains voltage and the frequency match the specifications on the name plate.

**7.9.2** Check that the connection of the machine to the mains meets the safety regulations in your country.

**7.9.3** The machine is fitted with a main switch and a circuit breaker. The user should check that the electrical settings of the machine are compatible with all the components of the mains system.

### 7.10 Machine Connection to the Mains

For technical specifications: **See Section 4 - Specifications**

- Push the LATCHING EMERGENCY STOP BUTTON.
- The main switch is normally OFF (O).

Connect the power cord supplied with the machine to a wall socket using a plug which complies with the safety regulations of your country.



## 8-THEORY OF OPERATION

### 8.1 Description of the Working Cycle

After having closed the top flaps of the carton, the operator pushes it under the top infeed end in order to avoid the opening of the top flaps. Further pushing causes the two bottom side belts to drive the box through the taping heads which automatically seal the top and bottom seams. The carton is then expelled from machine belt drives.

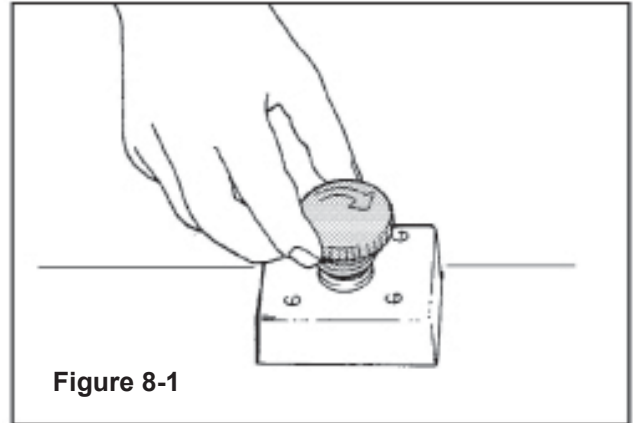


Figure 8-1

### 8.2 Definition of Running Mode

The case sealer **8000a-8000a3** has only one (automatic) operating mode with:

- The EMERGENCY STOP BUTTON unlocked (**Figure 8-1**)
- Turn main start switch "ON" (I) (**Figure 8-2**)

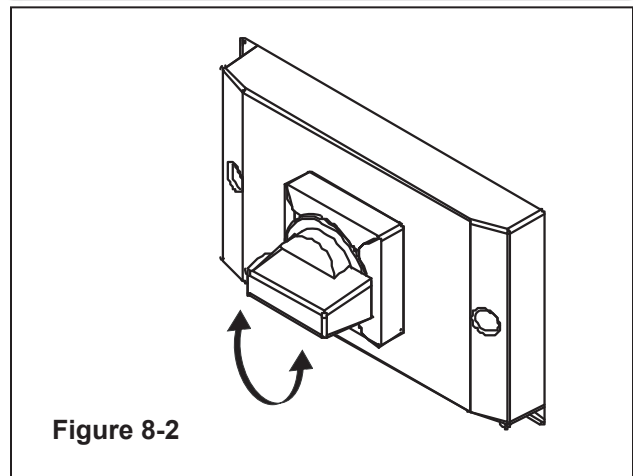


Figure 8-2

### 8.3.1 Normal Stop Procedure

When the main switch is OFF (O), the machine stops immediately at any point of the working cycle. The same thing happens in case of electrical failure or when the machine is disconnected from the mains.

### 8.3.2 Emergency Stop

The LATCHING EMERGENCY STOP BUTTON is located on the top center of the machine (**Figure 8-1**).

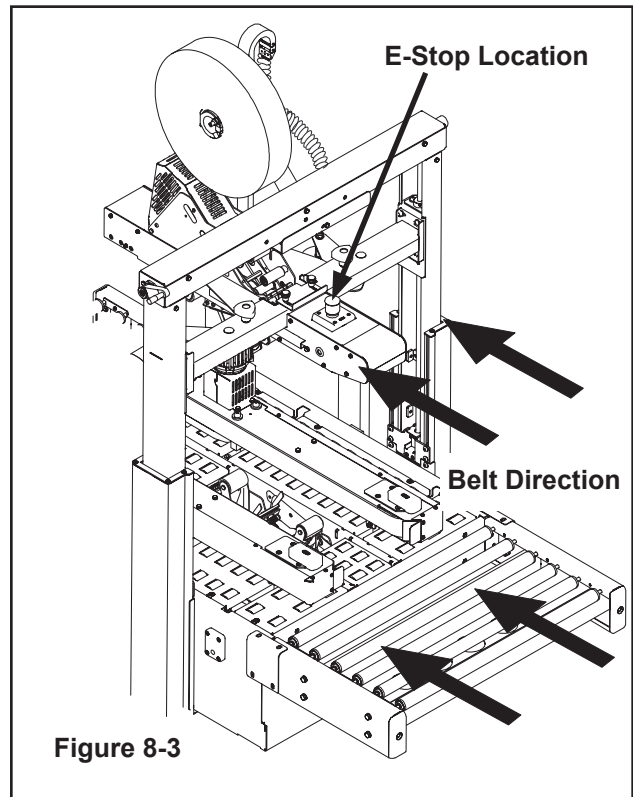


Figure 8-3

9.1 Box Width Adjusting Knobs

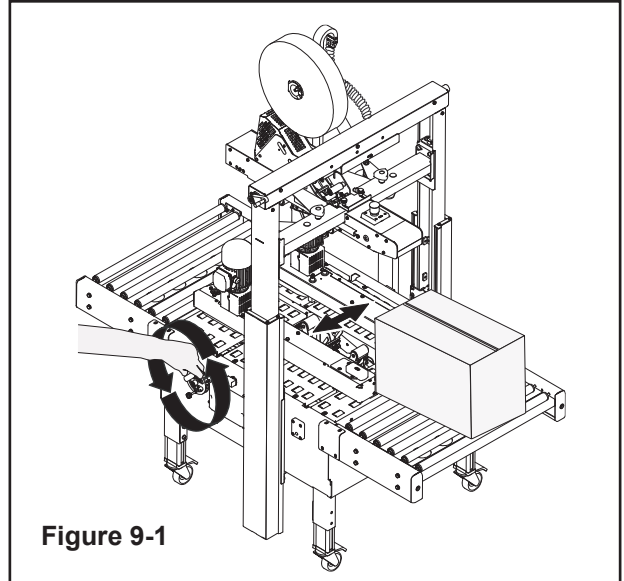


Figure 9-1

9.2 Box Height Adjusting Crank

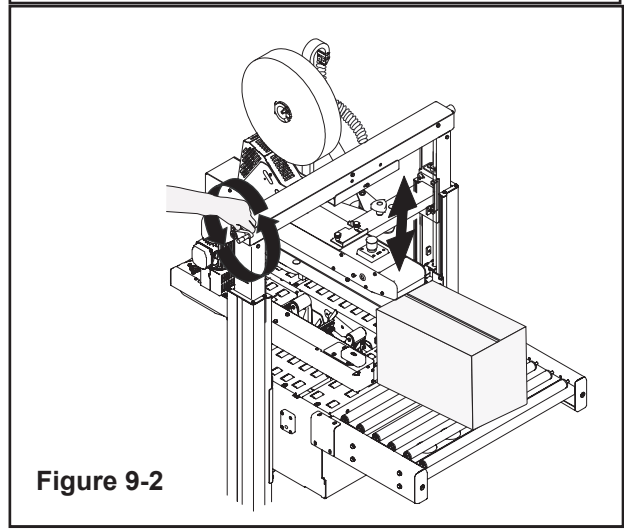


Figure 9-2

9.3 Start/Stop Switch

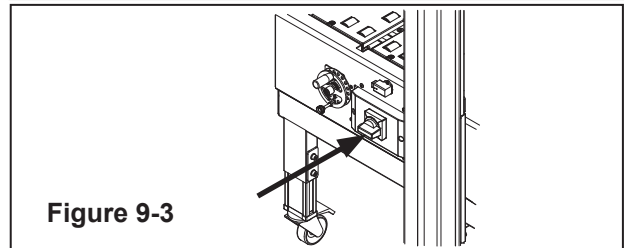


Figure 9-3

9.4 Latching Emergency Stop Button

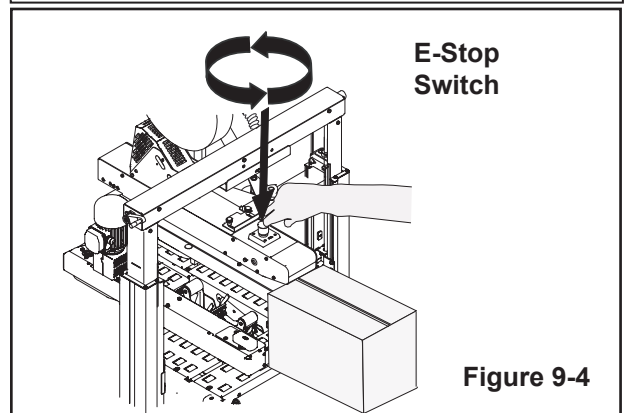


Figure 9-4

## 10-SAFETY DEVICES OF THE MACHINE

### 10.1 Blade Guards

Both the top and bottom taping units have a blade guard (See Manual 2 or 3: AccuGlide™ 3 Taping Heads - 2 Inch or 3 Inch).



#### WARNING

- **To reduce the risk associated with sharp blade hazards:**
  - Keep hands and fingers away from tape cutoff blades under orange blade guards. The blades are extremely sharp.

### 10.2 Emergency Stop Button

The box drive belts are turned on and off with the electrical switch on the side of the machine frame.

The machine electrical supply can be turned off by pressing the latching emergency stop switch. To restart machine, rotate the emergency stop switch clockwise to release the switch latch. Restart machine by Turning the On/Off switch to the Off (O) position and then to the On (I) position (**Figure 10-1**).



#### WARNING

- **To reduce the risk associated with hazardous voltage:**
  - Position electrical cord away from foot and vehicle traffic.

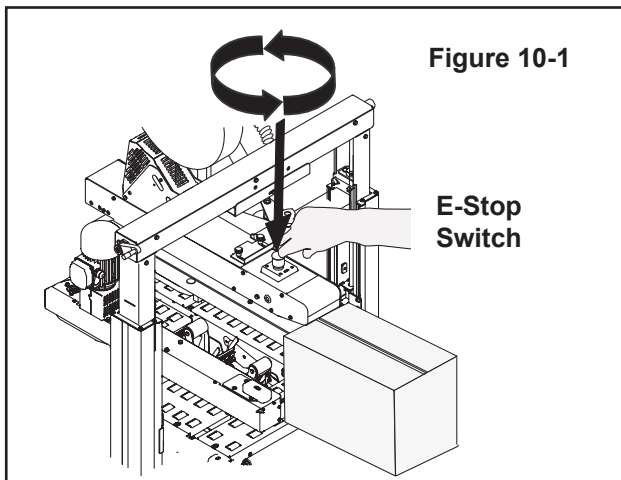


Figure 10-1

### 10.3 Electric System / Circuit Breaker

The electric system is protected by a ground wire whose continuity has been tested during the final inspection. The system is also subject to insulation and dielectric strength tests.

#### Circuit Breaker

The case sealer is equipped with a circuit breaker which trips if the motors are overloaded. Located inside the electrical enclosure on the side of the machine frame just below the machine bed, the circuit breaker has been pre-set and requires no further maintenance.



#### WARNING

- **To reduce the risk associated with mechanical and electrical hazards:**
  - Allow only properly trained and qualified personnel to operate and service this equipment.

If circuit is overloaded and circuit breaker trips, unplug machine from electrical power:

1. Determine cause of overload and correct.
2. Plug in machine.
3. Turn machine switch "On" (I) to resume case sealing.

**Important:** The use of an extension cord is not recommended. However, if one is needed for temporary use, it must:

- Have a wire size of 1.5mm diameter [AWG 16]
- Have a maximum length of 30.5m [100 ft]
- Be properly grounded.

## 11 - SET UP AND ADJUSTMENTS

### 11.1 Box Width Adjustment

Place a product filled box on infeed end of machine bed with top flaps folded as shown and manually move box forward to contact lower taping head applying roller.

Turn drive belt adjustment crank to position both side drive belts against sides of box (**Figure 11-1**).

### 11.2 Box Height Adjustment

Turn height adjustment crank to position upper taping head onto box. Turn clockwise to lower head, counterclockwise to raise head. Upper taping head must contact and hold top box flaps closed (**Figure 11-2**).

### 11.3 Adjustment of Top Flap Compression Rollers

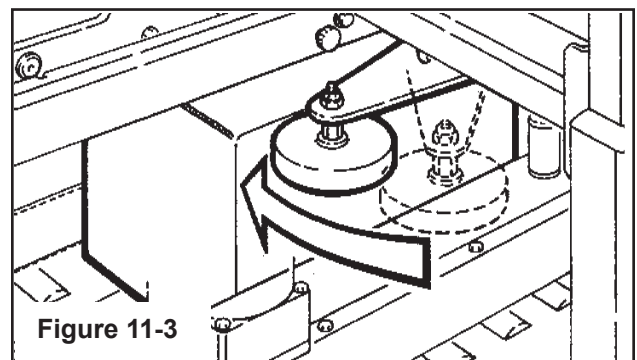
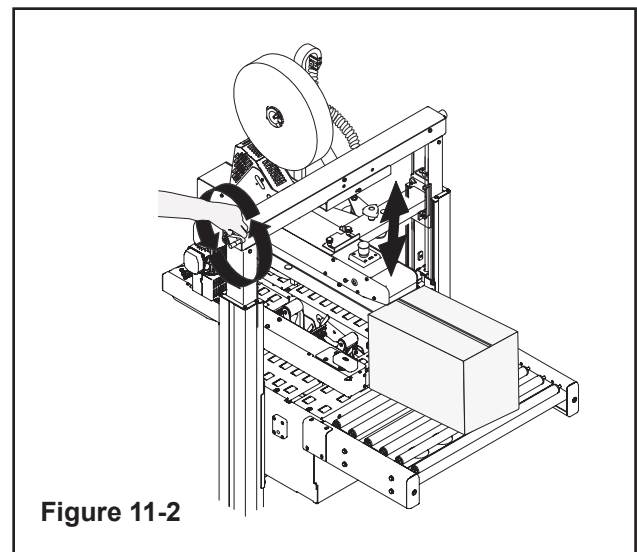
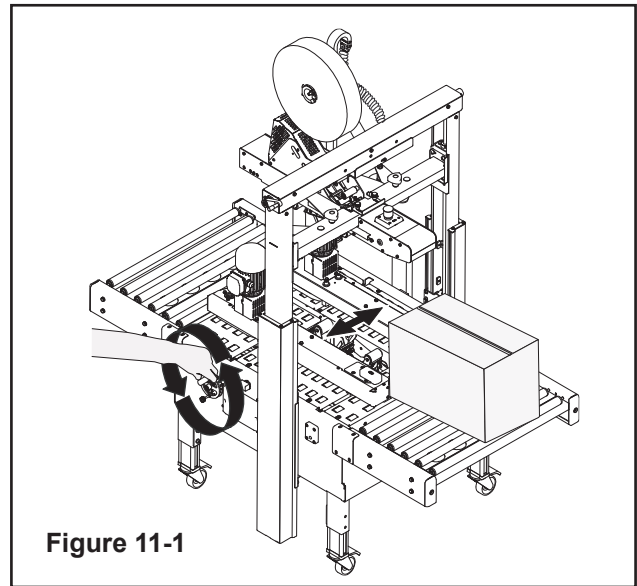
The top flap compression rollers have an adjustable slide mounting to provide side compression through the full range of box widths.

Manually move box forward so front of box is aligned with top flap compression rollers.

Adjust the compression rollers against top edge of box and tighten knobs to secure rollers in operating position (**Figure 11-3**).

### 11.4 Changing the Tape Leg Length

Taping heads are preset to apply 70mm [2.75 inches] long tape legs. To change tape leg length to 50mm [2.0 inches], refer to Instructions below and also to Manual 2, "Removing Taping Heads Procedure - Changing the Tape Leg Length".



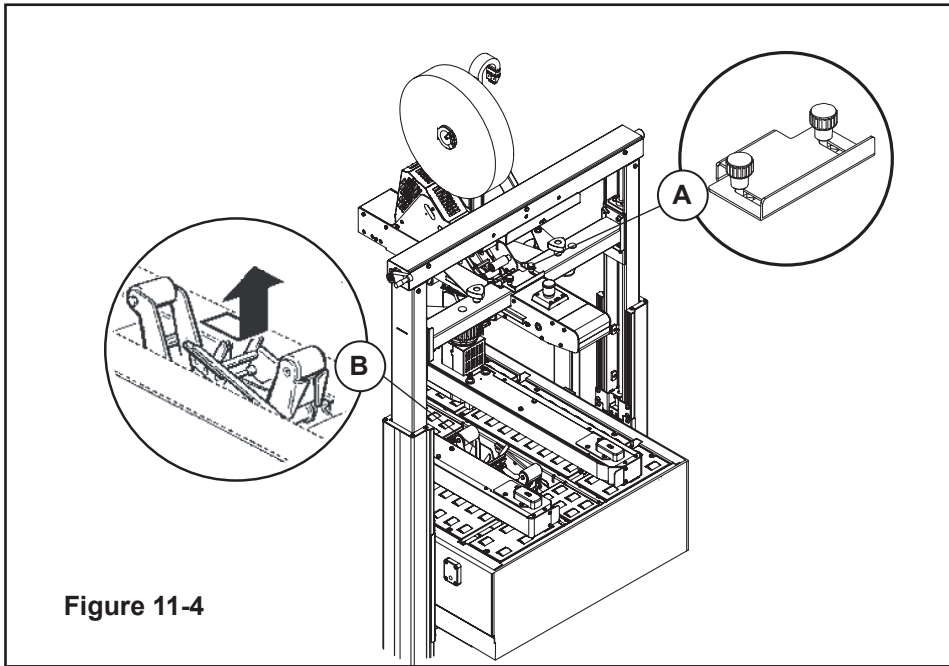


Figure 11-4

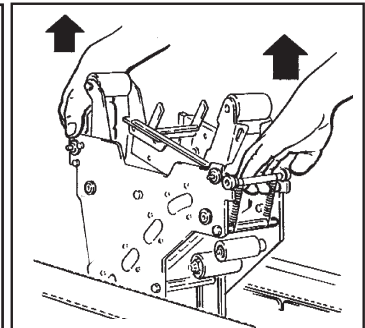


Figure 11-5

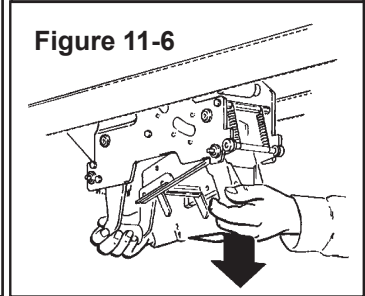


Figure 11-6

**11.5 Special Set-Up Procedure for Outer Column Re-Positioning** (continued on next page)

Moving the outer columns will increase/decrease the maximum box height capacity of the **8000a-8000a3** case sealer.

1. Place solid blocks approximately 305mm high at the front and rear of the upper tapping head assembly as shown in **Figure 11-7A**.
2. Crank the upper tapping head assembly down until it touches these blocks.
3. Loosen (but do not remove) the eight (8) screws and washers that fasten each column to the frame (**Figure 11-7B**).

**Note:** You may also need to loosen the two set screws in the nut plate bracket (located above bottom two column screws).

4. Turn the height adjustment crank clockwise to raise the outer columns until they reach the stop.

**Note:** Instructions are indicated for the Standard Column Position (Also see specifications). If Alternate Column positions are needed, loosen and re-position the column stop.

5. Tighten the eight (8) screws and washers in each column. Also tighten two Set Screws (if applicable) Crank upper tapping head assembly up and remove blocks.

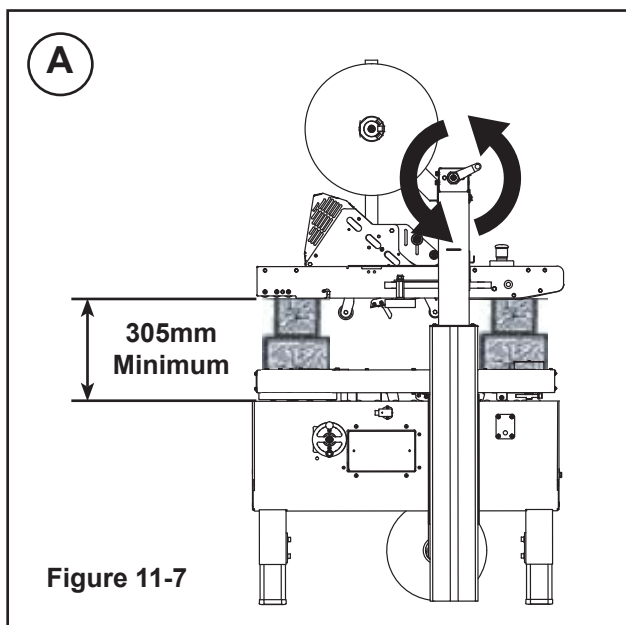
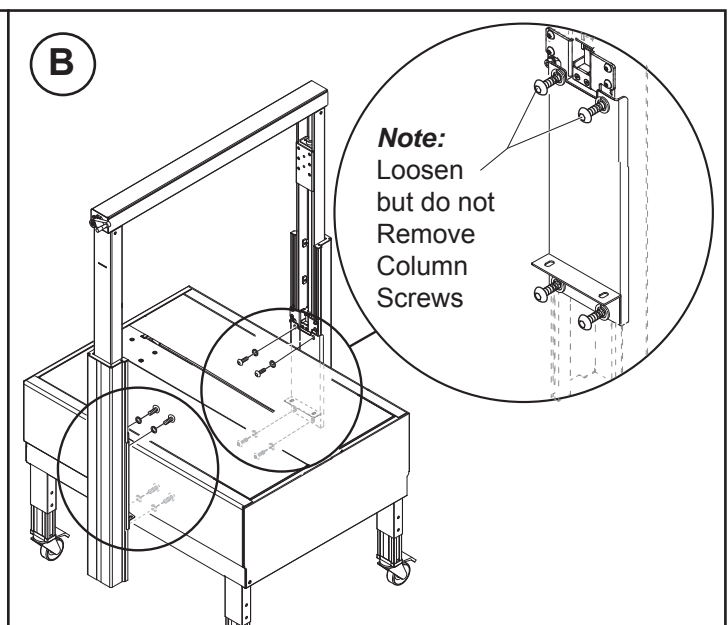


Figure 11-7



## 11 - SET UP AND ADJUSTMENTS (continued)

### 11.5 Special Set-Up Procedure for Outer Column Re-Positioning (continued)

Moving the outer columns will increase or decrease the box height handled by the **8000a-8000a3** case sealer.

#### **Maximum Height:**

An additional adjustment can be made to reach Maximum Height. This additional height adjustment can be made by moving the Upper Assembly Crossbar up to top holes - (**Figure 11-8**).

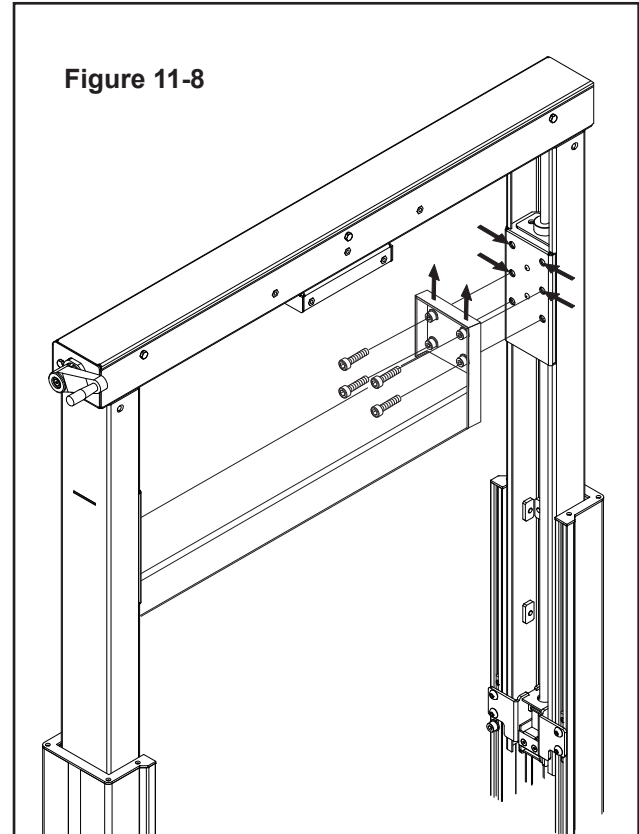
### 11.6 Run Boxes to Check Adjustment

Turn electrical switch "**On**" (I) to start drive belts.

Move box forward under upper taping head until it is taken away by drive belts. If box is hard to move under head or is crushed, raise head slightly.

If the box movement is jerky or stops under the upper head, move the side drive belts in slightly to add more pressure between the box and drive belts.

**Important** – If drive belts are allowed to slip on box, excessive belt wear will occur.



## 12-OPERATION

### 12.1 Operator's Correct Working Position and Operational Flow (Figure 12-1).

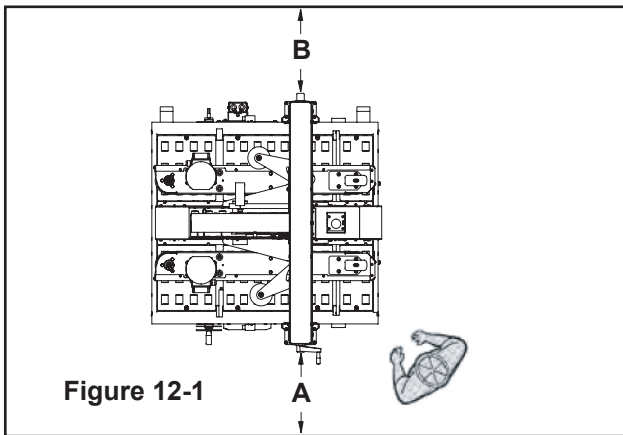


Figure 12-1

Once the box has been filled, close its top flaps and push it between the drive belts.

Always keep hands in position as shown in **Figure 12-2**.

The box will be automatically sealed with adhesive tape on the top and bottom box seams. Then the box will be expelled on the exit conveyor.

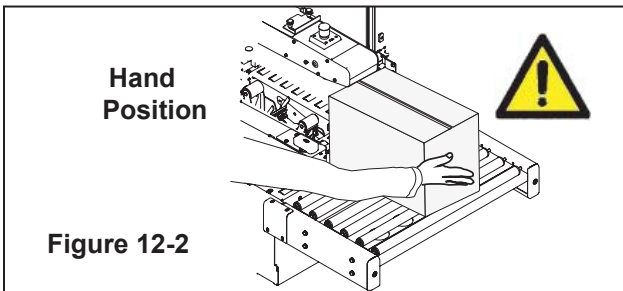


Figure 12-2

### 12.2 Starting the Machine

**Important:** Before starting the machine, verify that no tools or other objects are on the conveyor bed.

Turn the main switch ON (I) after the EMERGENCY BUTTON is released (**Figure 12-3**).

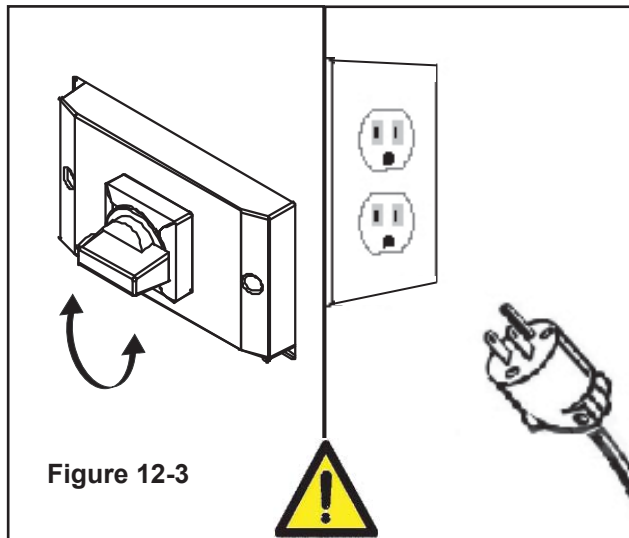


Figure 12-3

### 12.3 Starting Production

After having adjusted the machine according to the box dimensions (height-width), let the machine run without cartons and check its safety devices. Then start the working cycle.

### 12.4 Tape Replacement and Threading

#### Skill 1 - Operator

See Manual 2 or 3: AccuGlide™ 3 High Speed 2 Inch or 3 Inch Taping Heads.

Press the  
LATCHING EMERGENCY STOP BUTTON.



### WARNING

- To reduce the risk associated with sharp blade hazards:
  - Keep hands and fingers away from tape cutoff blades under orange blade guards. The blades are extremely sharp.

### 12.5 Box Size Adjustment

Repeat all the operations shown in **Section 11 - Set-Up and Adjustments**.

### 12.6 Cleaning

Before carrying out any cleaning or maintenance operation stop the machine by Turning the OFF (O) switch on the main and disconnect the electric power (**Figure 12-3**).

### 12.7 Table of Operation Adjustments - Operator Qualifications

1	Tape loading and threading	1
2	Tape web alignment	1
3	Adjustment of one way tension roller	1
4	Adjustment to box size (H and W)	1
5	Top flap compression rollers	1
6	Adjustment of tape applying spring	1
7	Conveyor bed height adjustment	1
8	Special Adjustment-Changing tape leg length	2
9	Special Adjustment-Column re-positioning	2

### 12.8 Safety Devices Inspection

- 1 Taping units blade guard
- 2 Latching emergency stop button
- 3 STOP (OFF) (O) main switch

## 12-OPERATION (continued)

---

### Troubleshooting Guide

<b>Problem</b>	<b>Cause</b>	<b>Correction</b>
Drive belts do not convey boxes	Narrow boxes	Check machine specifications. Boxes are narrower than recommended, causing slippage and premature belt wear.
	Worn drive belts	Replace drive belts
	Top taping head does not apply enough pressure	Adjust the box height adjustment with the crank
	Top flap compression rollers in too tight	Readjust compression rollers
	Taping head applying spring holder missing	Replace spring holder
Drive belts do not turn	Taping head applying spring set too high	Reduce spring pressure
	Worn or missing friction rings	Replace friction rings
	Drive belt tension too low	Adjust belt tension
	Electrical disconnect	Check power and electrical plug
Drive belt break	Motor not turning	Evaluate problem and correct
	Worn belt	Replace belt
Squeaking noise as boxes pass through machine	Excessive belt tension	
	Dry column bearings	Tension to 3.5 kg [7 lbs] per adjustment section
	Defective column bearings	Lubricate column bearings Replace column bearings
Tape not centered on box seam	Tape drum not centered	Reposition tape drum
	Box flaps not of equal length	Check box specifications

---



## 13-MAINTENANCE AND REPAIRS

### 13.1 Safety Measures (see section 3)

Carrying out maintenance and repairs may imply the necessity to work in dangerous situations.

### 13.2 Tools and Spare Parts Supplied with the Machine

See Spare Parts Order Section.

### 13.3 Recommended Frequency of Inspection and Maintenance Operations

Operation	Frequency	Qualification	Sections
Inspection safety features	daily	1	13.4
Cleaning of machine	weekly	1	13.5
Cleaning of cutter blade	weekly	2	13.6
Oiling of felt pad	weekly	2	13.7
Lubrication	monthly	2	13.7-13.8
Blade replacement	when worn	2	See Manual 2 or 3
Drive belt replacement	when worn	2	13.10

### 13.4 Inspections to be Performed Before and After Every Maintenance Operation

Before every maintenance operation, Turn the main switch OFF (O) and disconnect. During the maintenance operation, only properly trained and qualified personnel must work on the machine. At the end of every maintenance operation check the safety devices.

### 13.5 Check Efficiency of Safety Features

1. Blade guard assembly upper taping head
2. Blade guard assembly lower taping head
3. Latching Emergency stop button with mechanical lock (interrupt supply of electrical power)
4. Turn the main switch STOP/OFF (O)
5. Safety guards top drive belts

### 13.6 Cleaning of Machine

#### Qualification 1

A weekly cleaning with dry rags or diluted detergents is necessary. Cardboard boxes produce a significant quantity of dust and paper chips when processed or handled in case sealing equipment. If this dust is allowed to build up on machine components, it can cause component wear and over-heating of drive motors. The dust build up is best removed from the machine with a vacuum cleaner. Depending on the number of cartons processed, this cleaning should be done weekly. Excessive build-up that cannot be removed by vacuuming should be removed with a damp cloth.

### 13.7 Cleaning of Cutter Blade

#### Qualification 2

Should tape adhesive build-up occur, carefully wipe clean with oily cloth or brush. Oil prevents the build-up of tape adhesive.

(See Manual 2 or 3)



## WARNING

- **To reduce the risk associated with mechanical and electrical hazards:**
  - Read, understand, and follow all safety and operating instructions before operating or servicing the case sealer.
  - Allow only properly trained and qualified personnel to operate and service this equipment.
- **To reduce the risk associated with pinches, entanglement and hazardous voltage:**
  - Turn electrical supply off and disconnect before performing any adjustments, maintenance or servicing the machine or taping heads.



## WARNING

- **To reduce the risk associated with pinch, entanglement and hazardous voltage:**
  - Turn electrical supply off and disconnect before performing any adjustments, maintenance or servicing the machine or taping heads

### 13.8 Drive Belt Replacement

**Note** – 3M recommends the replacement of drive belts in pairs, especially if belts are unevenly worn.

Replacement - See Steps 1 thru 8

Tension Adjustment - See Steps 3, 7 and 9.

1. Crank the upper taping head to its fully raised position.
2. Remove and retain the five (5) screws (A), five (5) washers (B) and side cover (C) - **See Figure 13-1.**
3. Remove and retain the screw (D), washer (E) and belt tensioner cover (F).
4. Turn belt adjustment screws (G) counterclockwise on both the upper and lower tension assemblies until belt is loose - **See Figure 13-2.**
5. Locate the belt lacing (joint) by turning the belt manually. Remove the pin with pliers. Remove and discard old belt.



## WARNING

- **To reduce the risk associated with mechanical and electrical hazards:**
  - Allow only properly trained and qualified personnel to operate and/or service this equipment

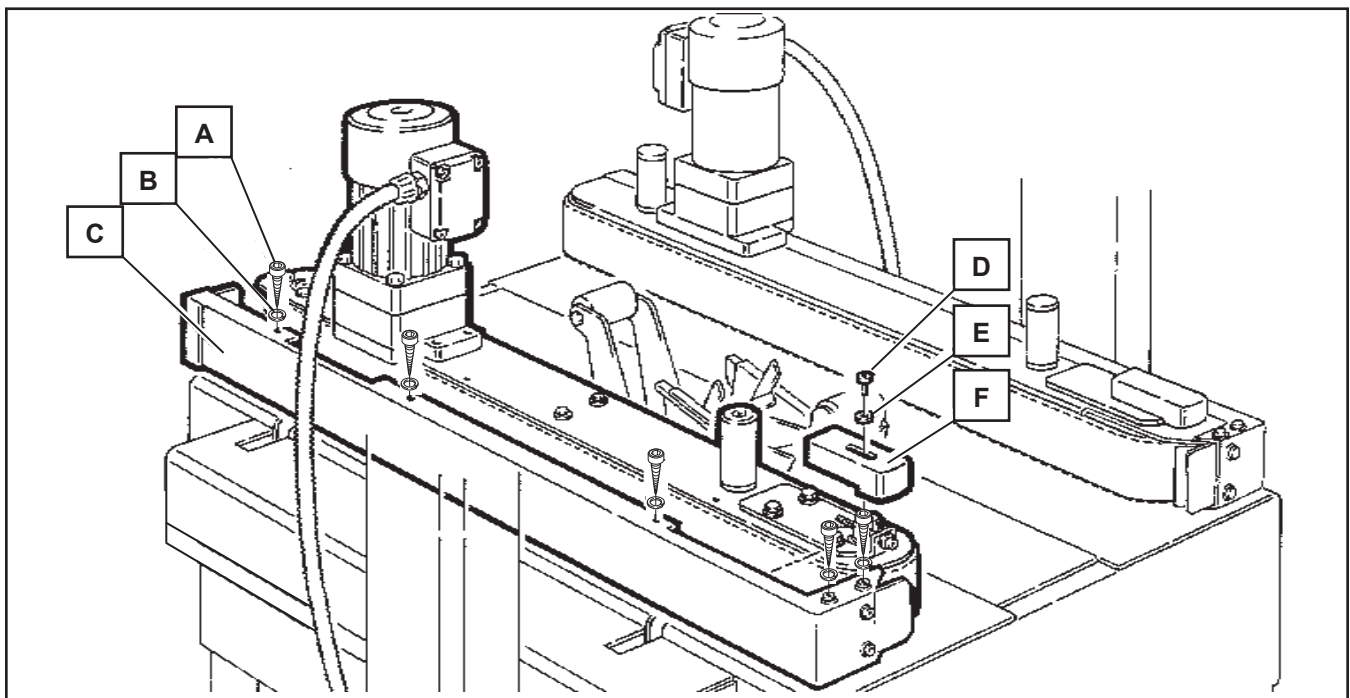


Figure 13-1 Box Drive Belt (Left Side View – Infeed End)



## WARNING

- To reduce the risk associated with pinch, entanglement and hazardous voltage:
  - Turn electrical supply off and disconnect before performing any adjustments, maintenance or servicing the machine or taping heads

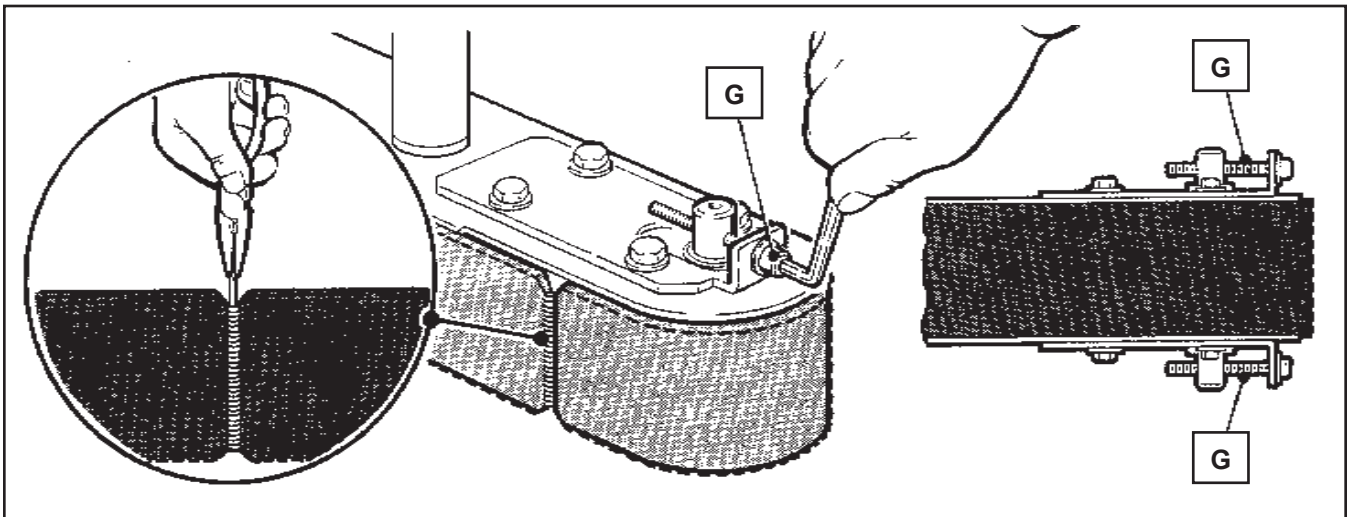


Figure 13-2 Box Drive Assembly, Infeed End

6. Install the new belt around drive rollers and insert new pin. Pin must not extend beyond edge of belt.
7. To set drive belt tension, turn adjustment screws (G) equally on both the upper and lower tension assemblies. Turn the screws clockwise to increase tension or counterclockwise to decrease tension - **See Figure 13-2.**

Use a force gauge to pull the belt outward

25mm [1 inch] at mid span, as shown with a moderate pulling force of 3.5 kg [7 lbs].

8. Reverse procedures in Steps 1-3 (**Figure 13-1**) to reassemble the drive belt assembly.

**Important** – Before installing new drive belt, check the belt inside surface for drive direction arrows and install belt accordingly. If no arrows are shown, the belt may be installed either way.

### 13.9 Drive Pulley Rings

Before installing a new belt, check the orange plastic drive pulley rings for wear. If torn, broken, or worn smooth, replace the rings (**Figure 13-3**).

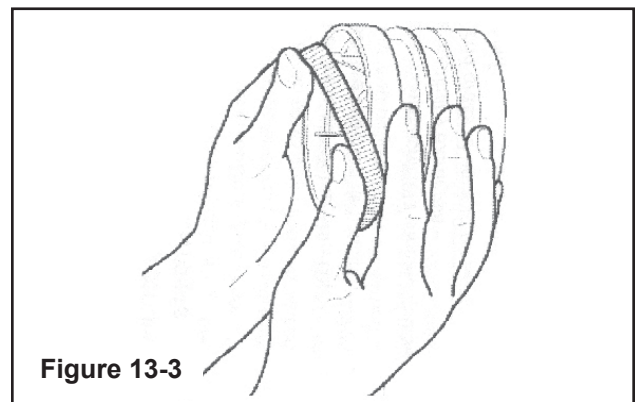
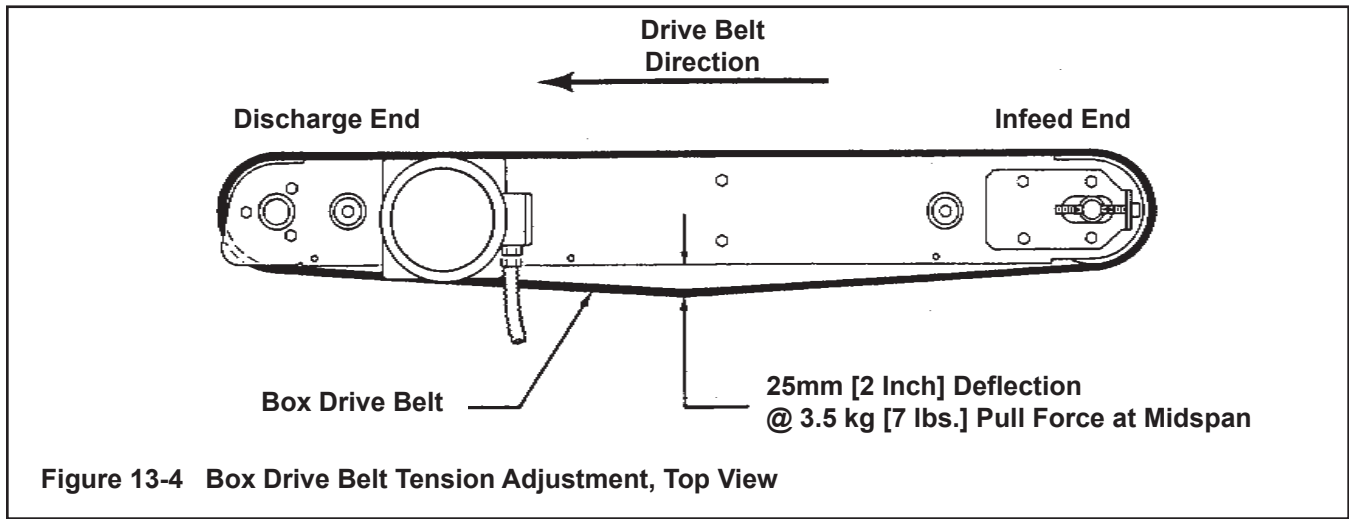


Figure 13-3



**WARNING**

- **To reduce the risk associated with pinch, entanglement and hazardous voltage:**
  - Turn electrical supply off and disconnect before performing any adjustments, maintenance or servicing the machine or taping heads

**13.10 Drive Belt Tension**

Tension adjustment of the drive belts may be required during normal operation. Belt tension must be adequate to positively move the box through the machine and they should run fully on the surface of the pulleys at each end of the frame. The idler pulleys on the infeed end are adjusted in or out to provide proper belt tension. Each belt is adjusted separately.

Belt tension is obtained by tightening the adjustment screw so that a moderate pulling force of 3.5 kg [7 lbs] applied at the mid span, as shown in **Figure 13-4**, will deflect the belt 25mm [1 inch]. This will assure positive contact between the belt and the drive pulley on the discharge end of the taping head.

To adjust belts, see "Maintenance – Drive Belts", steps 3 and 7.

**13.11 Special Set-Up Procedure**



**WARNING**

- **To reduce the risk associated with mechanical and electrical hazards:**
  - Turn electrical and air supply off and disconnect before performing any adjustments, maintenance, or servicing the machine or taping heads

The following changes to the case sealer will allow taping boxes 90mm [3-1/2 inches] minimum height.

**13.11.1 Case Sealer Frame (Refer to Figure 13-5A)**

1. Raise the upper head assembly (by turning crank handle counterclockwise). Remove and retain the two screws and washers from the normal position holes "A-A".
2. Remount and secure the stop bracket in the lower position "A" using the top holes and original fasteners. Relocate both the right and left stop brackets.

13.11.2 Taping Heads (Refer to Figure 13-5A, 13-5B, and 13-5C)

Taping Head Adjustments



**WARNING**

- **To reduce the risk associated with sharp blade hazards:**
  - Keep hands and fingers away from tape cutoff blades under orange blade guards. The blades are extremely sharp

Tape Web Alignment – Manual 2

Tape Drum Friction Brake – Manual 2

Applying Mechanism Spring – Manual 2

One Way Tension Roller – Manual 2

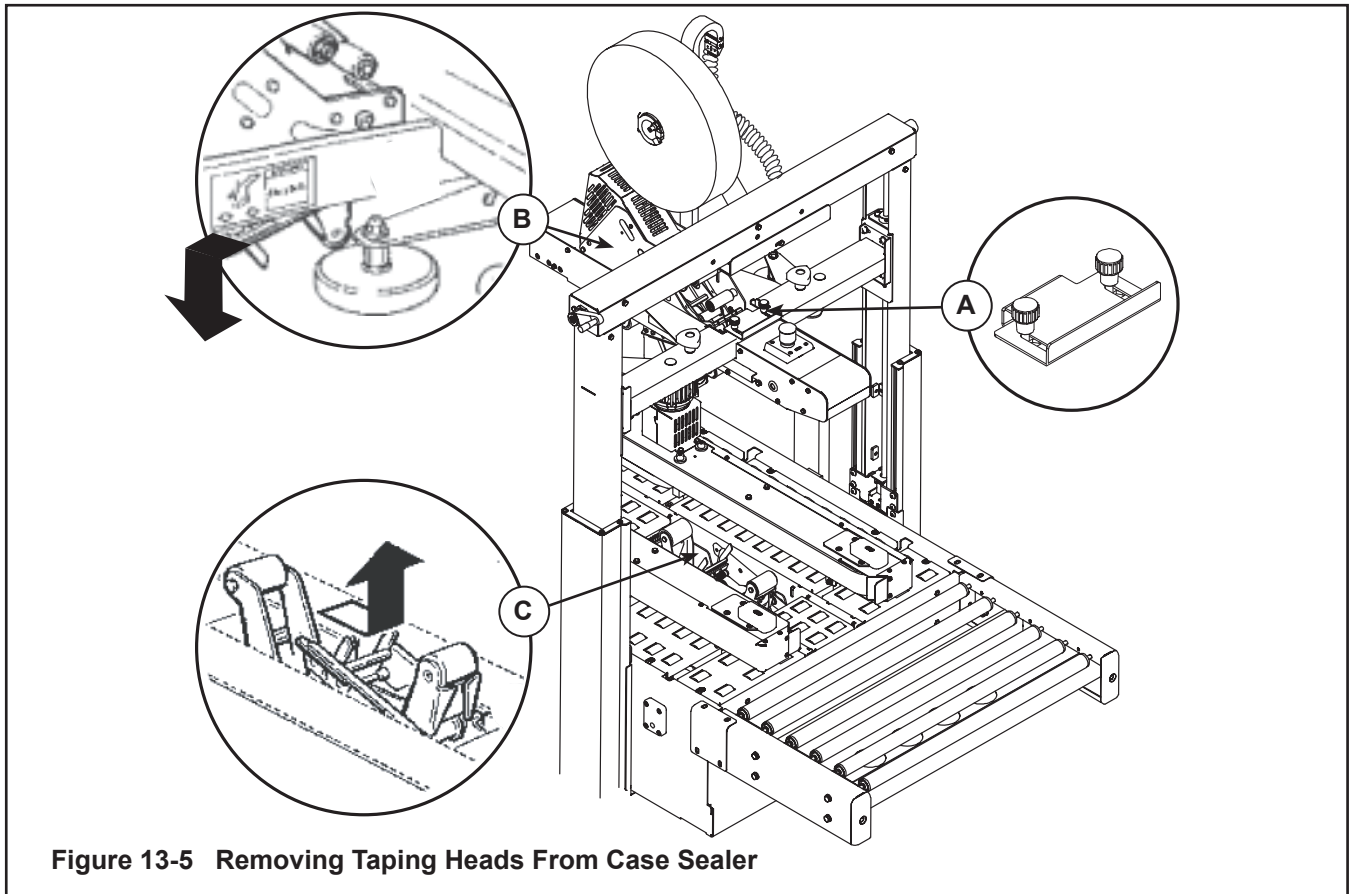
Tape Leg Length

Leading Tape Leg Length Adjustment – Manual 2

Changing Tape Leg Length from 70 to 48mm [2-3/4 to 2 inches] – Manual 2

**Note** – Changing tape leg to 48mm [2 inches] requires machine adjustment also. See Manual 2 or 3 "Special Set-Up Procedure – Changing Tape Leg Length".

1. Loosen, but do not remove, the two (2) retaining screws that secure the upper taping head shown - **Figure 13-5A**.
2. Hold upper taping head applying and buffing arms from under upper assembly, slide head forward and down to remove **Figure 13-5B**.
3. Lift the lower taping head, shown in **Figure 13-5C**, straight up to remove it from the case sealer bed.
4. Refer to Manual 2 (Taping Head), See "Adjustments – Changing Tape Leg Length" for taping head set-up.



**Figure 13-5 Removing Taping Heads From Case Sealer**



**14.1 Information for Disposal of Machine (ELV)**

The machine is composed of the following materials:

- Steel structure
- Nylon rollers
- Drive belts in PVC
- Nylon pulleys

For machine disposal, follow the regulations published in each country.

**14.2 Emergency Procedures**

In case of danger/fire:  
Disconnect plug of power cable from power supply -  
(Figure 14-1)

**IN CASE OF FIRE**

Use a fire extinguisher that is rated for electrical fires -  
(Figure 14-2).

**15.1 Statement of Conformity**

Not Applicable.

**15.2 Emission of Hazardous Substances**

Nothing to report

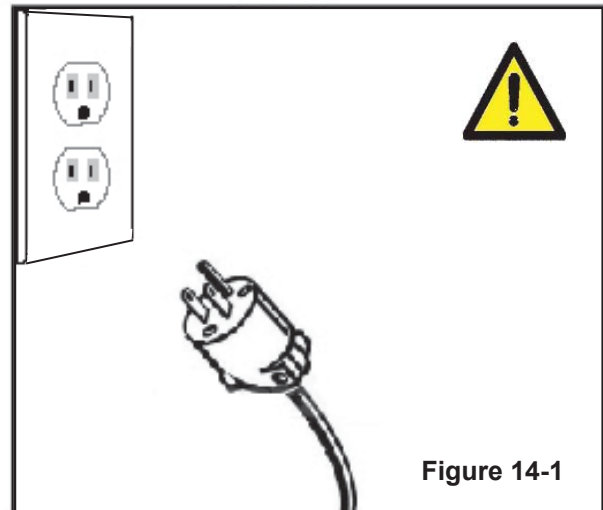


Figure 14-1

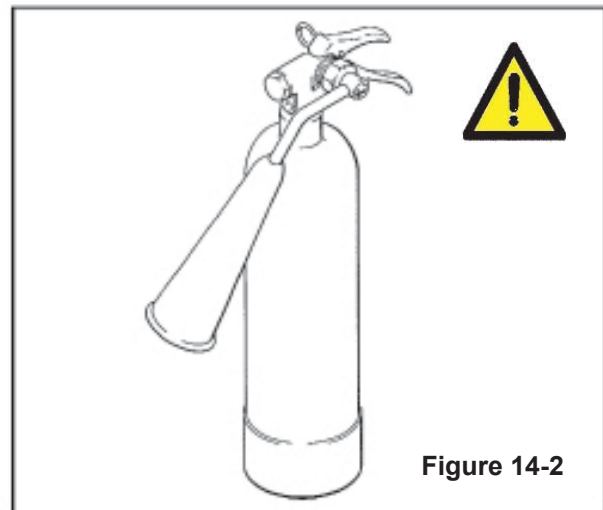


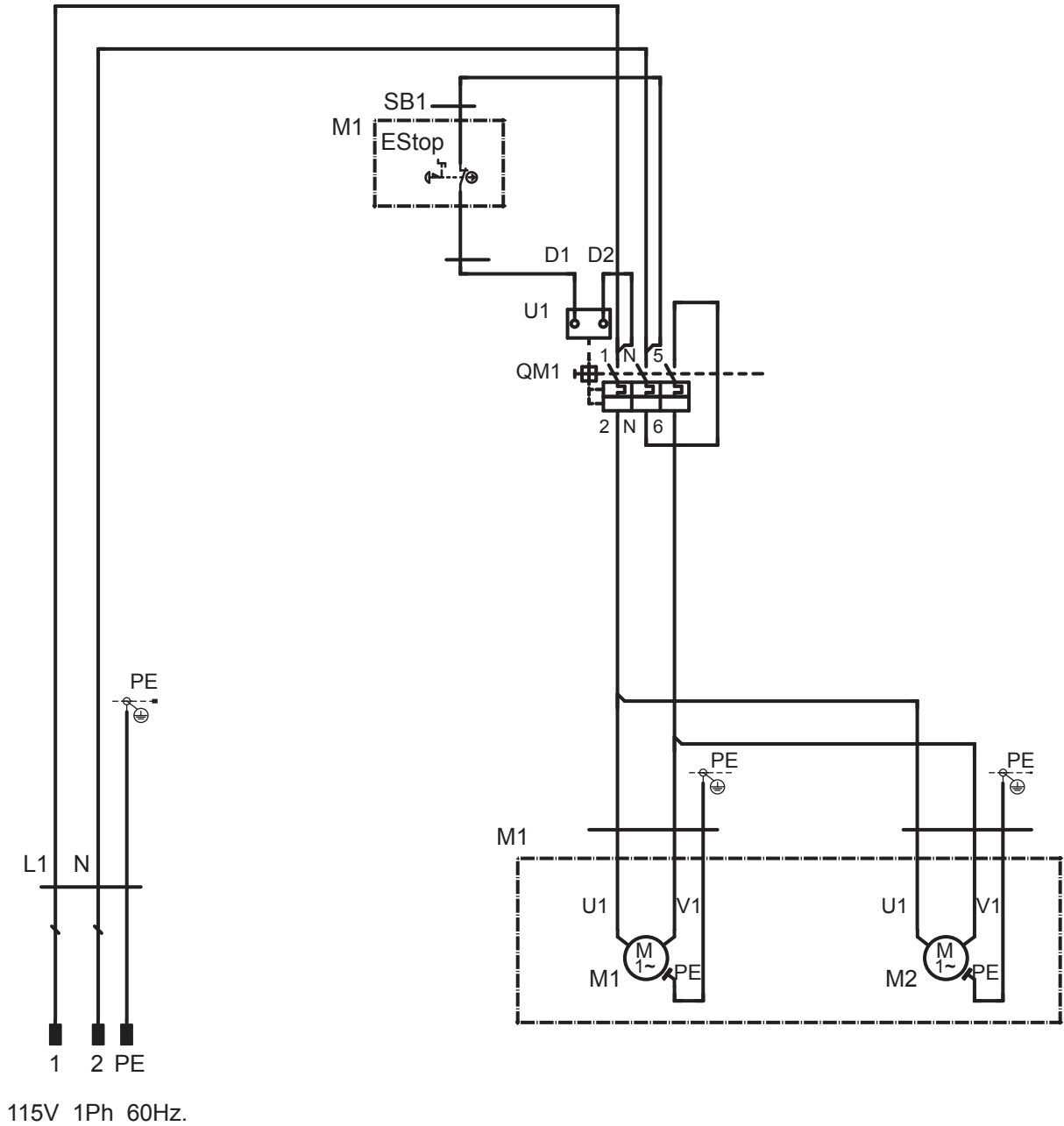
Figure 14-2

THIS PAGE IS BLANK



# 16-TECHNICAL DIAGRAMS

## 16.1 Electric Diagram



## 16.2 Spare Parts Order

### Replacement Parts Ordering Information and Service

Refer to the first page of this instruction manual "Replacement Parts and Service Information".

#### Order parts by quoting the following information:

(Refer to the Identification Plate on the Machine)

- MACHINE MODEL
- SERIAL NUMBER
- FIGURE NO.
- POSITION
- 3M PART NO. (11 DIGITS)
- DESCRIPTION
- QUANTITY

Refer to Manual 2 for recommended taping head spare parts.

#### **Important!**

The machine is constantly revised and improved by our designers. The spare parts catalogue is also periodically updated. It is very important that all the orders of spare parts make reference to the serial number of the machine (located on the identification plate on the machine).

The manufacturer reserves the right to modify the machine at any time without notice.

### Spare Parts – 8000a-8000a3 Adjustable Case Sealer

It is suggested that the following spare parts be ordered and kept on hand:

#### 8000a-8000a3

Qty.	3M-Part Number	Description
2	78-8076-5452-6	Belt-Drive W/Hook

### Spare Parts Kit

8000a - Part Number 78-8137-8730-2

8000a3 - Part Number 78-8137-8731-0

### Label Kit

In the event that any labels are damaged or destroyed, they must be replaced to ensure operator safety.

A label kit, part number 78-8137-7540-6, is available as a stock item. It contains all the safety labels used on the 8000a-8000a3 Adjustable Case Sealer.

### Tool Kit

A tool kit, part number 78-8137-7543-0 is supplied with the machine as a stock item. The kit contains the necessary open end and hex socket wrenches for use with the metric fasteners on the case sealer. The threading tool, part number 78-8076-4726-4 contained in above kit is also available as a replacement stock item.

### Replacement Parts Ordering Information and Service

Refer to the first page of this instruction manual "Replacement Parts and Service Information".

**8000a-8000a3 Adjustable Case Sealer, Type 11400  
Frame Assemblies**

**To Order Parts:**

1. Refer to first illustration, Frame Assemblies, for the Figure Number that identifies a specific portion of the machine.
2. Refer to the appropriate Figure or Figures to determine the parts required and the parts reference number.
3. The Parts List that follows each illustration, includes the Reference Number, Part Number and Part Description for the parts on that illustration.

**Note** – The complete description has been included for standard fasteners and some commercially available components. This has been done to allow obtaining these standard parts locally, if desired.

4. Order parts by Part Number, Part Description and Quantity required. Also include the model/machine name, machine type, and serial number that are located on the identification plate.
5. Refer to the first page of this instruction manual “**Replacement Parts and Service Information**” for replacement parts ordering information.

**Important** – Not all the parts listed are normally stocked items. Some parts or assemblies shown are available only on special order. Contact 3M/Tape Dispenser Parts to confirm item availability.

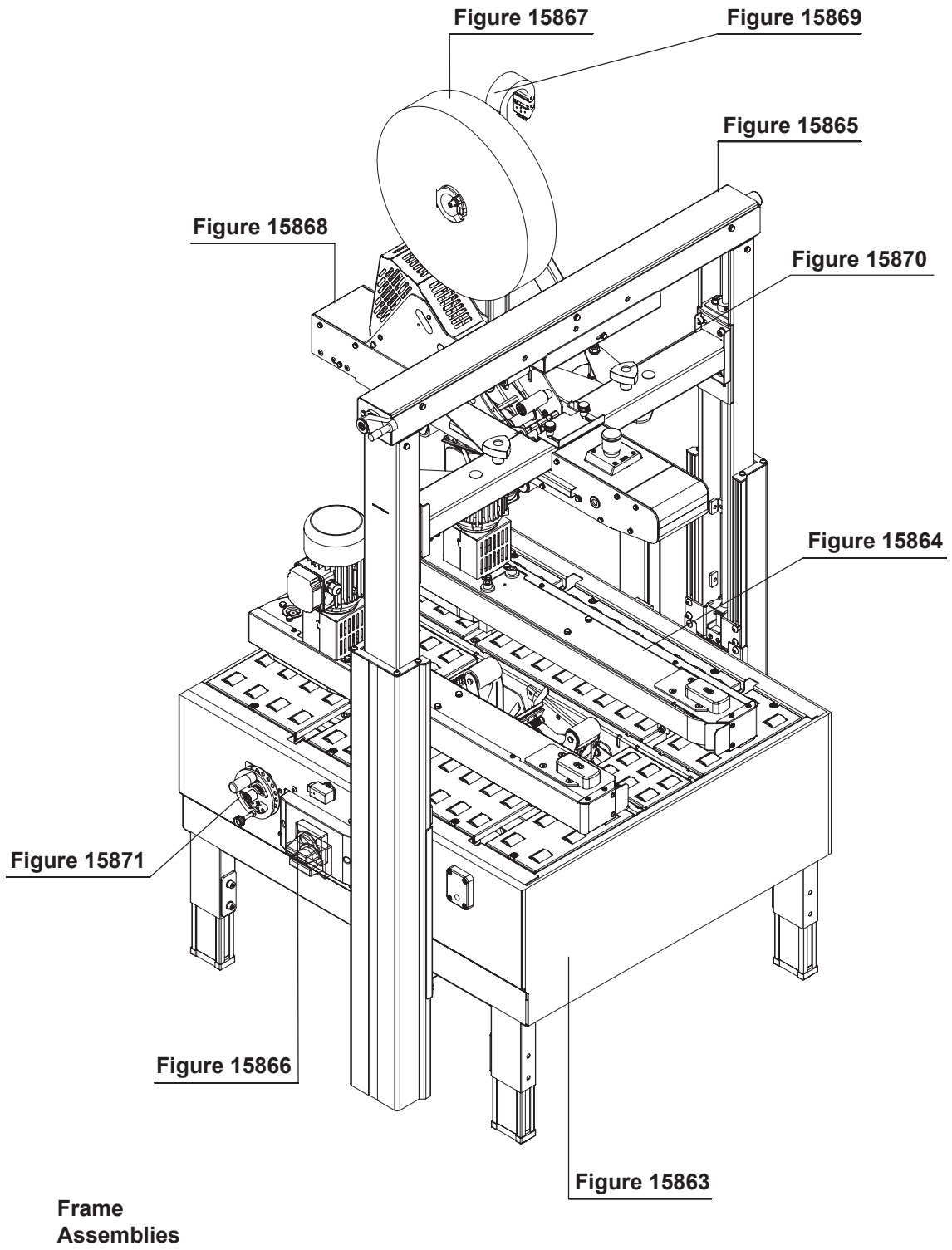
**Options and Accessories**

For additional information on the options and accessories listed below, contact your 3M Representative.

<b>Part Number</b>	<b>Option/Accessory</b>
78-8052-6553-1	Box Hold Down Attachment
70-0064-2998-2	Caster Kit Attachment
<del>78-0067-5967-7</del> <b>70-0067-5967-7</b>	Conveyor Extension Attachment
78-8069-3926-6	Low Tape Sensor Kit
70-0064-4963-4	AccuGlide 3 Upper Taping Head - 2 inch, Type 10800
70-0064-4962-6	AccuGlide 3 Lower Taping Head - 2 inch, Type 10800
70-0064-4965-9	AccuGlide 3 Upper Taping Head - 3 inch, Type 10800
70-0064-4964-2	AccuGlide 3 Lower Taping Head - 3 inch, Type 10800
78-8095-4854-4	2 Inch Tape Edge Fold Kit (Upper)
78-8095-4855-1	2 Inch Tape Edge Fold Kit (Lower)
78-8114-0940-4	Three Flap Folder Kit
70-0067-6506-2	Drive Assembly Height Adjustment Kit
70-0067-3769-9	Filler Plate - Lower

THIS PAGE IS BLANK

8000a-8000a3 Adjustable Case Sealer



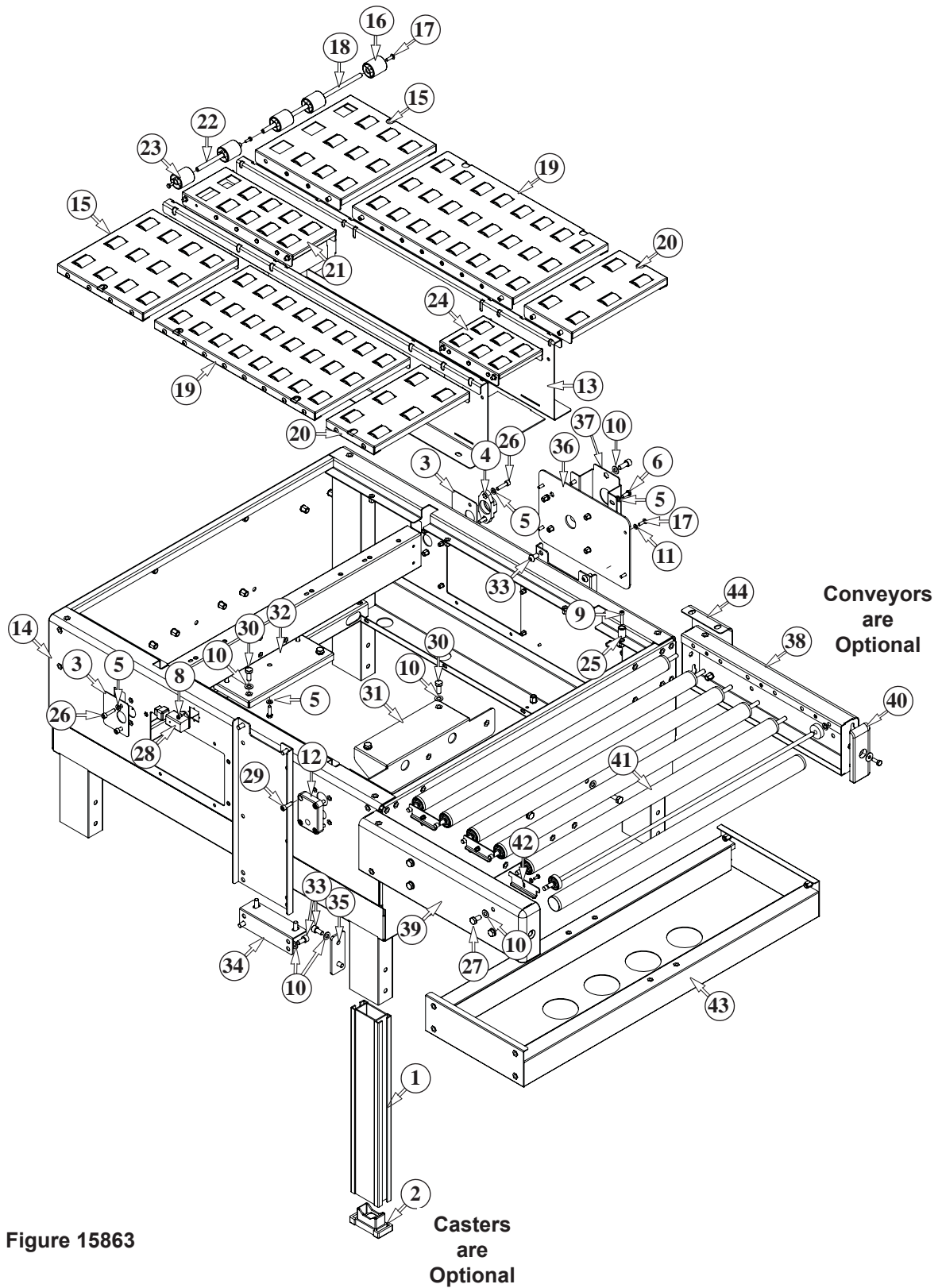


Figure 15863

Figure 15863

Ref. No.	3M Part No.	Description
15863-1	78-8129-6096-7	Leg
15863-2	78-8137-0641-9	Pad - Foot
15863-3	78-8137-5913-7	Plate - Guide
15863-4	78-8129-6304-5	Support w/Bearing
15863-5	26-1000-0010-3	Washer - Flat M6
15863-6	26-1004-6751-8	Screw - Hex Hd. M6X15
15863-7	78-8005-5740-3	Washer Plain - Metric 4mm Nickel
15863-8	78-8028-8208-0	Screw - TC 6PX9 Head D.6
15863-9	78-8010-7165-1	Screw - Flat Hd Soc. M5X25
15863-10	78-8017-9318-9	Washer - Plain - Metric 8mm
15863-11	78-8005-5741-1	Washer - Flat M5
15863-12	<b>TBA</b>	Rod Support S11-T Kyowa S8
15863-13	78-8137-7770-9	Support Assembly - Taping Unit
15863-14	78-8137-7913-5	Bed Assembly w/Nutserts
15863-15	78-8137-7788-1	Frame - Rear Right/Left Roller
15863-16	78-8060-7693-7	Roller - 32X38
15863-17	78-8076-4625-8	Screw - M5X16 - Special
15863-18	78-8137-7779-0	Pin - 8X271 - Galvanized
15863-19	78-8137-7783-2	Infeed Conveyor Right/Left Roller Frame
15863-20	78-8137-7780-8	Front Right/Left Roller Conveyor
15863-21	78-8137-7777-4	Infeeding Conveyor Front Roller Frame
15863-22	78-8137-7774-1	Pin - Galvanized 8X124
15863-24	78-8137-7775-8	Frame - Conveyor Front Roller
15863-25	78-8060-8486-5	Bushing
15863-26	78-8023-2334-1	Screw - M6X25 Soc. Hd., Hex. Soc.
15863-27	26-1003-5841-0	Screw - M8X16
15863-28	78-8060-7876-8	Cover Plug
15863-29	78-8010-7193-3	Screw - M6X20, Hex. Hd.
15863-30	78-8010-7210-5	Screw - M6X20 Soc. Hd. Hex. Soc.
15863-31	78-8137-7799-8	Shoulder Support - Lower Unit Holder
15863-32	78-8137-7797-2	Support Base - Taping Unit
15863-33	78-8129-6124-7	Screw - M8X16 - Galvanized
15863-34	78-8137-6295-8	Bracket - Fixed Column
15863-35	78-8137-0635-1	Clamp - Leg
15863-36	78-8137-7836-8	Plate - Support w/Nutserts
15863-37	78-8137-7795-6	Support - Housing
15863-38	78-8137-7867-3	Frame - Infeed Right Shoulder w/Nutserts
15863-39	78-8137-7869-9	Frame - Infeed Left Shoulder w/Nutserts
15863-40	78-8076-4512-8	Cap
15863-41	78-8137-7837-6	Roll Assembly
15863-42	78-8076-4507-8	Plate - Roller
15863-43	78-8137-7855-8	Frame - Roller
15863-44	78-8137-7870-7	Frame - Bracket Connector

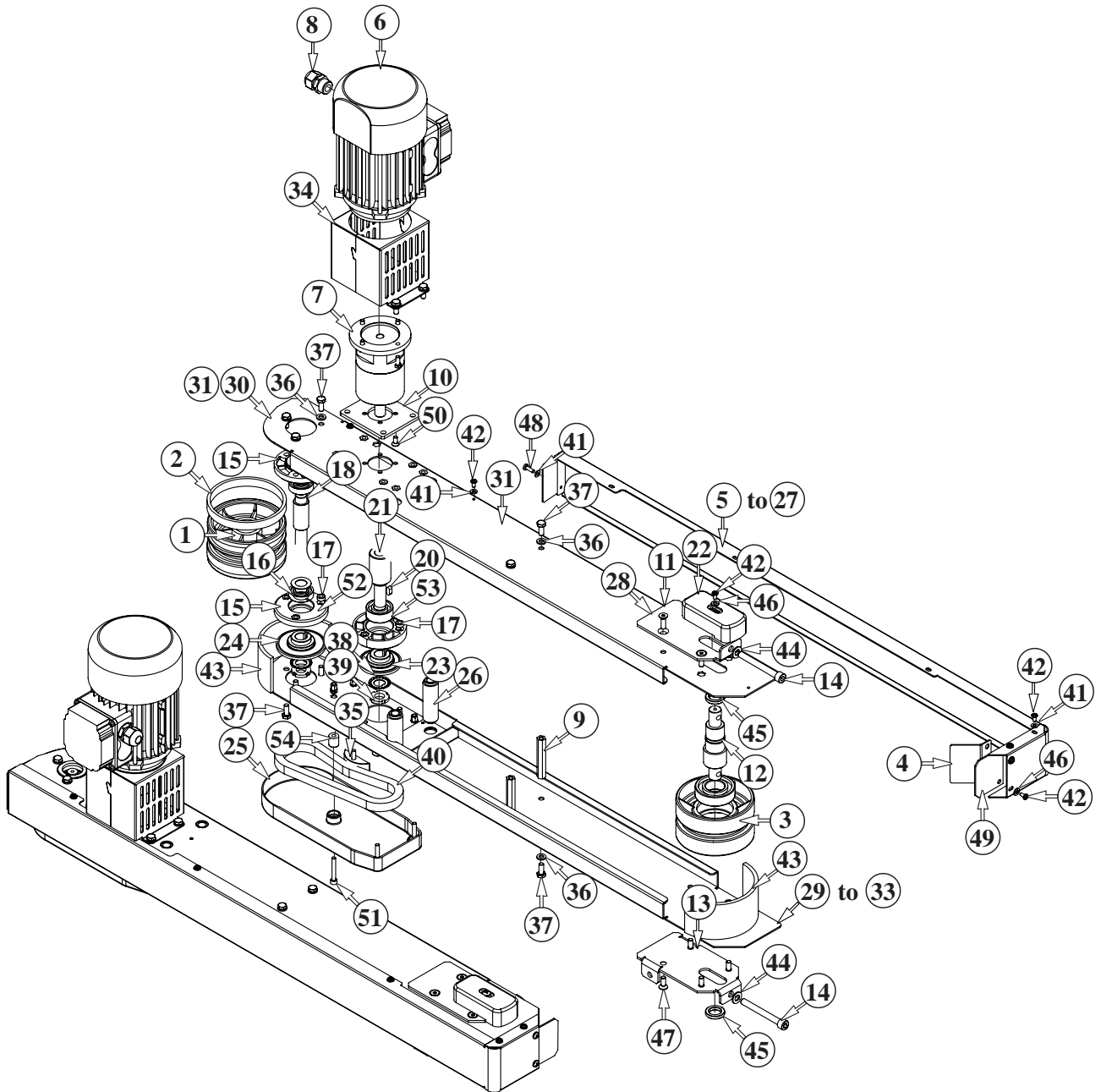


Figure 15864



Figure 15864

Ref. No.	3M Part No.	Description
15864-1	78-8137-0858-9	Drive Pulley
15864-2	78-8052-6713-1	Ring - Polyurethane
15864-3	78-8055-0660-3	Idler Pulley
15864-4	78-8137-7932-5	Cover - Infeed Drive Belt
15864-5	78-8137-7765-9	Right Cover - Drive Belt
15864-6	78-8094-6473-4	Motor - 100/115V, 50/60HZ, 1-Phase
15864-7	78-8137-6309-7	Flange - Gearbox R 63 F 56 B 14
15864-8	78-8076-4532-6	Cord Grip
15864-9	78-8055-0661-1	Spacer
15864-10	78-8137-7751-9	Plate - Top Gearbox
15864-11	78-8137-7756-8	Plate - Belt Tensioner
15864-12	78-8076-5444-3	Shaft - Idler Pulley
15864-13	78-8137-7757-6	Plate - Belt Tensioner
15864-14	78-8070-1519-9	Screw - M8X70 Soc. Hd. Hex. Hd.
15864-15	78-8114-4709-9	Support - Bearing
15864-16	26-1000-4350-9	Radial Ball Bearing - 6002-2RS, O.D. 32
15864-17	78-8137-7936-6	Insert - M6 Zinc
15864-18	78-8055-0669-4	Shaft - Pulley Keyed
15864-20	78-8046-8135-7	Key - 12mm - 5 X 5
15864-21	78-8137-7759-2	Pin - Gearbox R63-F56-B
15864-22	78-8076-5448-4	Cover - Belt Tensioner
15864-23	78-8076-4860-1	Sprocket 3/8" Z=17
15864-24	78-8076-4861-9	Sprocket 3/8" Z=20
15864-25	78-8137-0870-4	Cover - Belt Guard
15864-26	78-8137-7761-8	Spacer - Drive Belt
15864-27	78-8137-7752-7	Left Cover - Drive Belt
15864-28	78-8060-8179-6	Screw - M6X20 Flat Hd. Hex
15864-29	78-8137-7764-2	Guide Assembly - Drive Belt
15864-30	78-8137-7753-5	Guide Assembly - Left Drive Belt
15864-31	78-8137-7763-4	Guide Assembly - Drive Belt
15864-33	78-8137-7758-4	Guide Assembly - Left Drive Belt
15864-34	78-8137-7754-3	Cover - Gearbox
15864-35	78-8137-3796-8	Belt - Tensioning
15864-36	26-1000-0010-3	Washer - M6 Flat
15864-37	26-1004-6751-8	Screw - M6X15 Hex Hd.
15864-38	78-8057-5834-5	Tab - Washer
15864-39	78-8057-5835-2	Washer - Centering
15864-40	78-8137-7748-5	Chain 3/8" - 46 Pitch
15864-41	78-8005-5740-3	Washer - 4mm Nickel
15864-42	78-8137-3958-4	Screw - M5X12
15864-43	78-8076-5452-6	Drive Belt
15864-44	78-8017-9318-9	Washer - 8mm
15864-45	78-8076-5446-8	Washer - Shaft
15864-46	78-8005-5741-1	Washer - M5 Flat
15864-47	26-1001-9843-6	Screw - M6X16 Flat Soc. Hd.
15864-48	78-8017-9425-2	Screw - 8X13mm - Self-Tapping
15864-49	78-8100-1214-2	Guard - Rubber
15864-50	26-0001-5862-1	Screw - M5X12 Flat Hd Soc.
15864-51	26-1003-7954-9	Screw - M5X35 Soc. Hd
15864-52	78-8137-7945-7	Bearing Support - Drive Belt
15864-53	78-8137-7946-5	Bearing - Adjustable 2202-2RS
15864-54	78-8137-7760-0	Bushing - Drive Belt Cover S8-CE

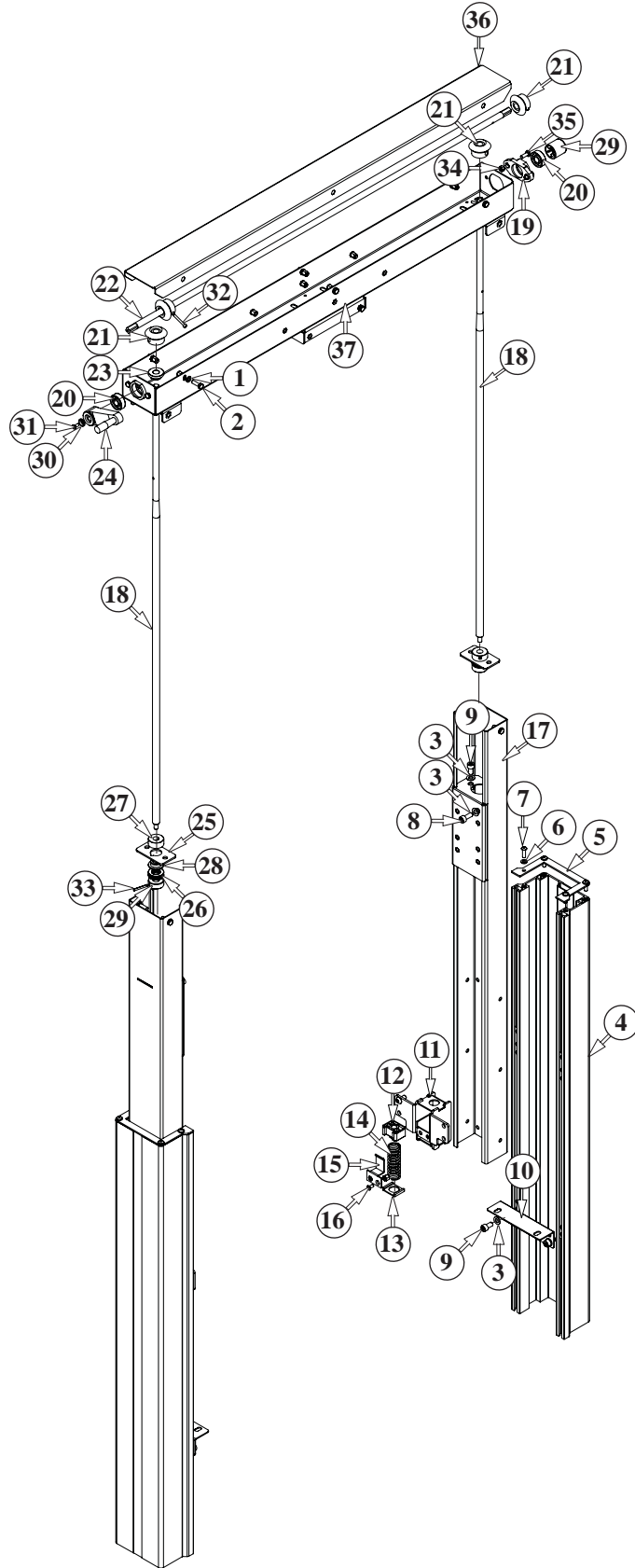


Figure 15865

Figure 15865

Ref. No.	3M Part No.	Description
15865-1	26-1000-0010-3	Washer - M6 - Galvanized
15865-2	78-8010-7193-3	Screw - M6x20 - Galvanized
15865-3	78-8017-9318-9	Washer - M8 - Galvanized
15865-4	78-8137-7801-2	Fixed Column
15865-5	78-8137-6337-8	Cap - Column
15865-6	26-1000-0010-3	Washer - M6 - Galvanized
15865-7	78-8137-4035-0	Screw - M6x20 - Galvanized
15865-8	26-1003-7964-8	Screw - M8X20 - Galvanized
15865-9	26-1003-7963-0	Screw - M8X16 - Galvanized
15865-10	78-8137-7906-9	Bracket - Fixed Column
15865-11	78-8137-6292-5	Bracket - Support
15865-12	78-8054-8571-7	Nut
15865-13	78-8054-8970-1	Plate - Spring
15865-14	78-8054-8997-4	Spring - 20 L=72 (77A/12AF/12AF-3)
15865-15	78-8137-6291-7	Plate
15865-16	26-0001-5862-1	Screw - M5X12 - Galvanized
15865-17	78-8137-7873-1	Sliding - Column
15865-18	78-8137-7771-7	Screw - Adjusting
15865-19	78-8137-7909-3	Bearing - Roller Support
15865-20	78-8137-7879-8	Bearing - 6201 2RS
15865-21	78-8137-5905-3	Pinion - Bevel
15865-22	78-8137-7822-8	Screw - Crossbar
15865-23	78-8054-8583-2	Bushing
15865-24	78-8129-6118-9	Handle - "ELESA" MT.80 AS 10X10
15865-25	78-8137-6333-7	Plate
15865-26	78-8054-8584-0	Bearing - Thrust 51103
15865-27	78-8060-8497-2	Bushing
15865-28	78-8054-8583-2	Bushing
15865-29	78-8054-8585-7	Bushing - Galvanized
15865-30	78-8060-8073-1	Washer - Motors
15865-31	26-0001-5862-1	Screw - M5X12 - Galvanized
15865-32	78-8060-7711-7	Screw - M4X30 - Galvanized
15865-33	78-8054-8586-5	Pin - Burnished Elastic D4X30
15865-34	78-8010-7418-4	Nut - M6 - Galvanized
15865-35	78-8032-0375-7	Screw - M6X16 - Galvanized
15865-36	78-8137-7821-0	Cover - Columns Crossbar
15865-37	78-8137-7819-4	Crossbar
15865-38	78-8070-1506-6	Cover - Crossbar

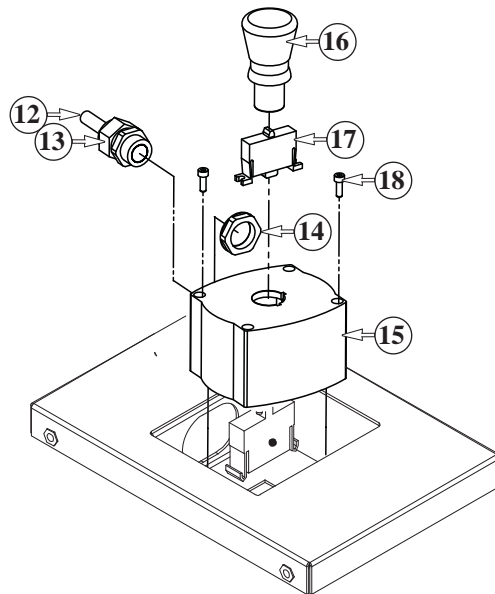
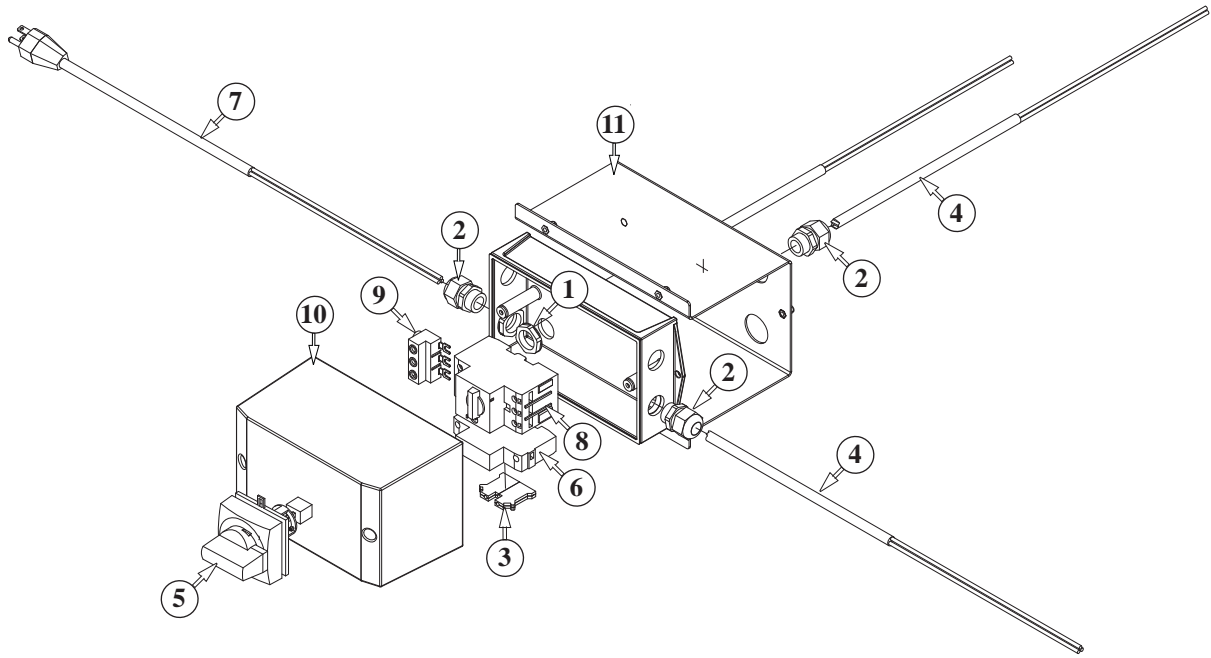


Figure 15866

**8000a-8000a3**

**Figure 15866**

<b>Ref. No.</b>	<b>3M Part No.</b>	<b>Description</b>
15866-1	78-8129-6469-6	Nut - M20X1.5 Cable
15866-2	78-8137-0607-0	Fitting - M20X1.5Cable
15866-3	78-8094-6384-3	Clamp - Ground 6 1492-WG6
15866-4	78-8137-5956-6	Cable
15866-5	78-8137-6362-6	Switch - PKZ0-XRH-MCC
15866-6	78-8137-6361-8	Coil - 120V 60HZ
15866-7	78-8028-7909-4	Cable - SJT Model
15866-8	78-8137-6360-0	Switch - Magnetothermic 4-6.3A PKZM0
15866-9	78-8137-6363-4	Clamp - Power Supply
15866-10	78-8137-6359-2	Box - CI-K3X
15866-11	78-8137-7828-5	Support - Electrical Box w/Nutserts
15866-12	78-8028-7909-4	Power Cord - U.S.A.
15866-13	78-8060-7785-1	Fitting
15866-14	78-8129-6469-6	Nut - M20 x 1.5 - Special
15866-15	78-8137-7893-9	Housing - Black M22-IY1
15866-16	78-8137-6353-5	Emergency Button
15866-17	78-8137-0797-9	Terminal Switch
15866-18	78-8060-8413-9	Screw - M4 x 12 Soc. Hd.

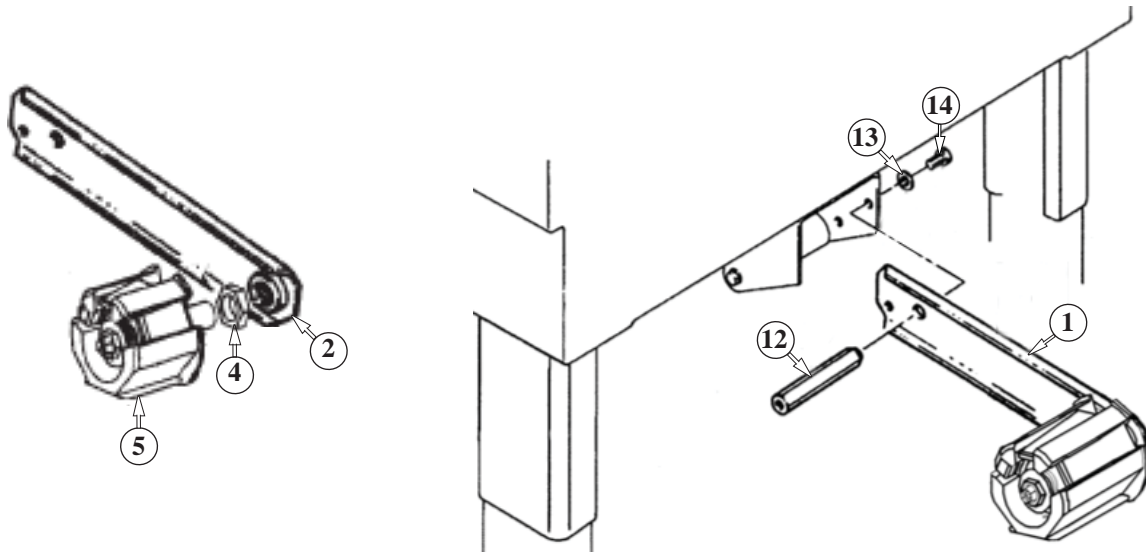
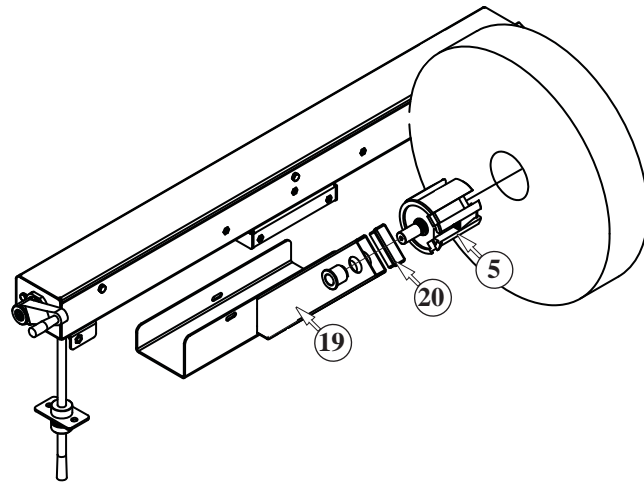
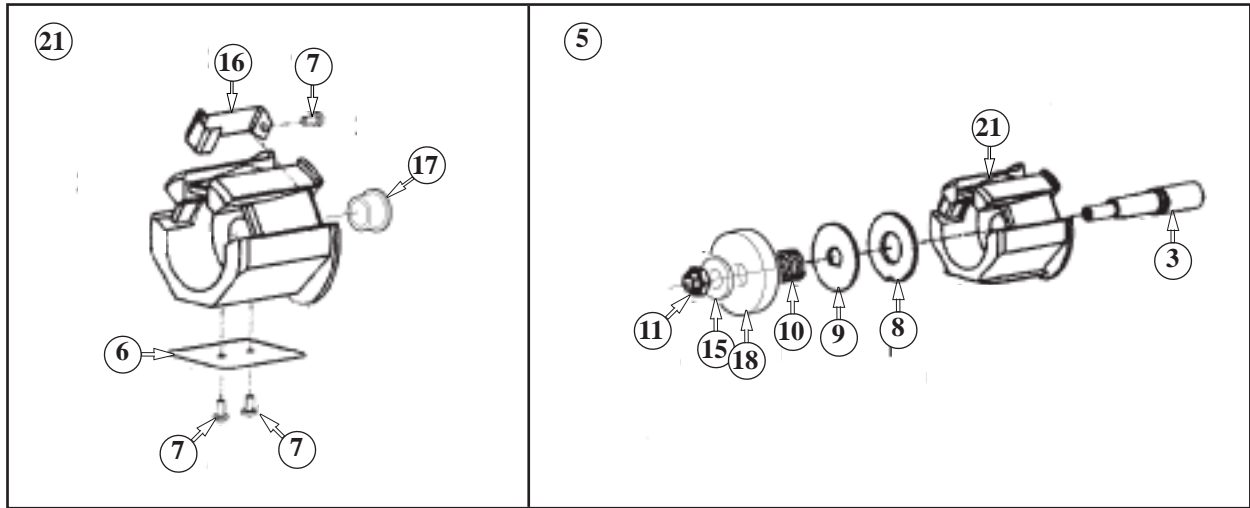


Figure 15867

Figure 15867

Ref. No.	3M Part No.	Description
15867-1	78-8137-1158-3	Tape Drum Bracket Assembly
15867-2	78-8070-1395-4	Bracket - Bushing Assembly
15867-3	78-8076-4519-3	Shaft - Tape Drum 2"
	78-8060-8462-6	Shaft - Tape Drum 3"
15867-4	78-8017-9169-6	Nut - M18x1
15867-5	78-8098-8814-8	Tape Drum Assembly w/ Shaft 2"
	78-8098-8832-0	Tape Drum Assembly w/ Shaft 3"
15867-6	78-8098-8817-1	Leaf - Spring 2"
	78-8098-8830-4	Leaf - Spring 3"
15867-7	26-1002-5753-9	Screw - 7SPX8 Self Tapping
15867-8	78-8060-8172-1	Washer - Friction
15867-9	78-8052-6271-0	Washer - Tape Drum
15867-10	78-8100-1048-4	Spring - Core Holder
15867-11	78-8017-9077-1	Nut - M10X1
15867-12	78-8100-1050-0	Spacer - Stud
15867-13	26-1000-0010-3	Washer - M6
15867-14	78-8010-7169-3	Screw - M6x12 Hex. Hd.
15867-15	78-8052-6651-3	Washer - Nylon
15867-16	78-8098-8816-3	Bracket - Latching
15867-17	78-8137-0949-6	Bushing - 14X20X30
15867-18	26-1004-5510-9	Washer - M10
15867-19	78-8137-6345-1	Bracket - Tape Head Arm
15867-20	78-8137-6346-9	Cap
15867-21	78-8098-8827-0	Tape Drum Assembly 2"
	78-8098-8829-8	Tape Drum Assembly 3"

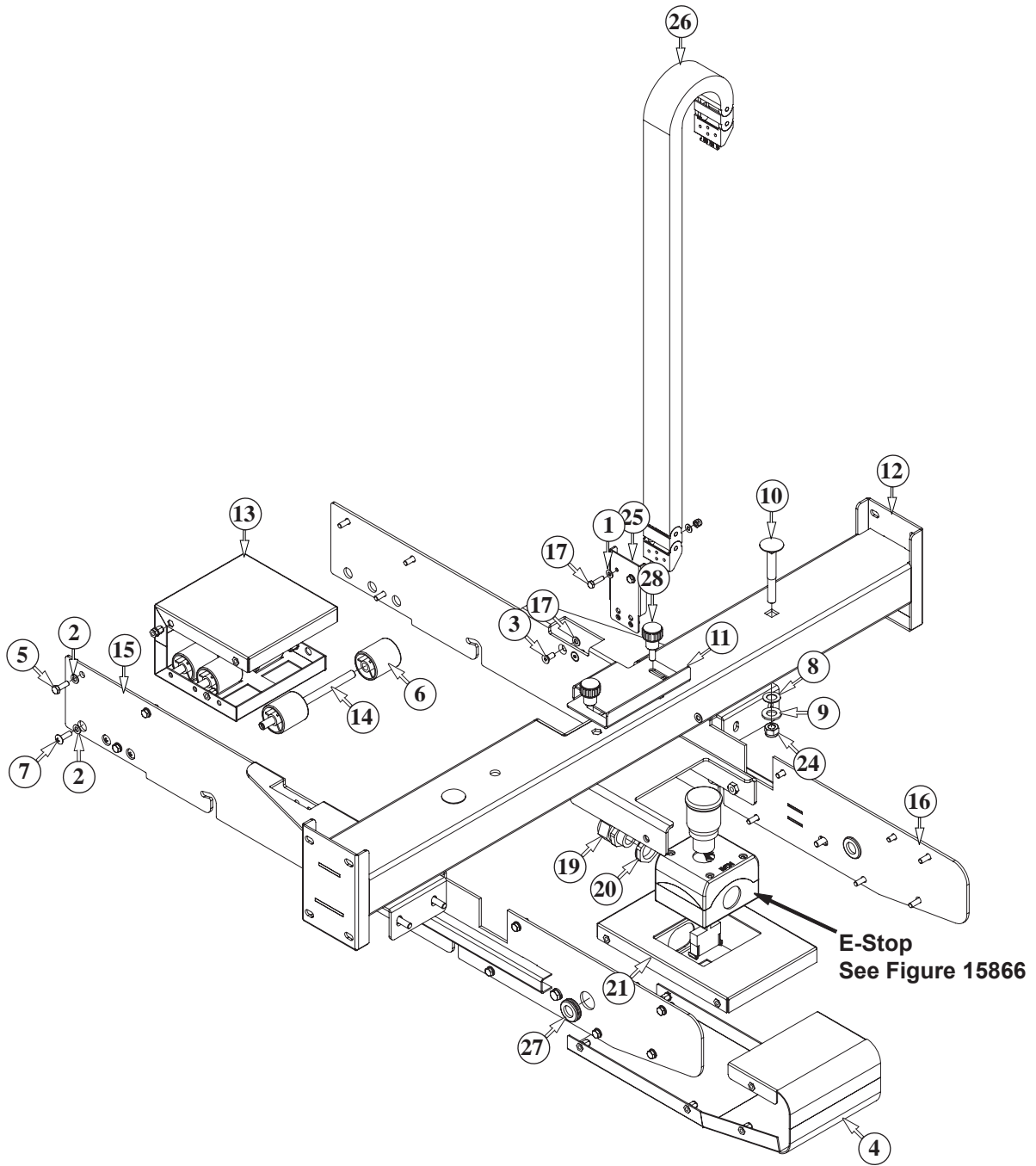


Figure 15868



**8000a-8000a3****Figure 15868**

<b>Ref. No.</b>	<b>3M Part No.</b>	<b>Description</b>
15868-1	78-8005-5740-3	Washer - 4mm - Nickel
15868-2	78-8005-5741-1	Washer - M5
15868-3	26-0001-5862-1	Screw, - M5X12 Flat Hd Soc.
15868-4	78-8137-6295-8	Cover - Front Frame w/Nutserts
15868-5	78-8137-7892-1	Screw - M5X15 - Galvanized
15868-6	78-8060-7693-7	Roll - 32X38
15868-7	78-8076-4625-8	Screw - M5X16
15868-8	78-8017-9074-8	Washer - Nylon/10,5/18X1
15868-9	78-8017-9319-7	Washer - M10
15868-10	78-8137-7784-0	Screw - M10X70 - Galvanized
15868-11	78-8137-7790-7	Bracket - Locking
15868-12	78-8137-7792-3	Crossbar Assembly w/Nutserts
15868-13	78-8137-7796-4	Frame - Rear Roller w/Nutserts
15868-14	78-8137-7809-5	Pin 8X147 - Galvanized
15868-15	78-8137-7806-1	Frame - Left Side
15868-16	78-8137-7791-5	Frame - Right Side
15868-17	78-8060-7826-3	Screw - M4x16 - Galvanized
15868-19	78-8137-0607-0	Fitting - M20X1.5
15868-20	78-8129-6469-6	Nut - M20X1.5
15868-21	78-8137-7798-0	Emergency Button Assembly w/Nutserts
15868-24	78-8023-2246-7	Nut M8 - Hex. Self-locking
15868-25	78-8137-7800-4	Bracket - Cable
15868-26	78-8137-7824-4	Chain - Cable 0182-30-037-990 MA/FI
15868-27	78-8060-7758-8	Grommet - Rubber "EZ DG13,5" P
15868-28	78-8137-7861-6	Knurled Handle - ELESA B 259/20 M6X16

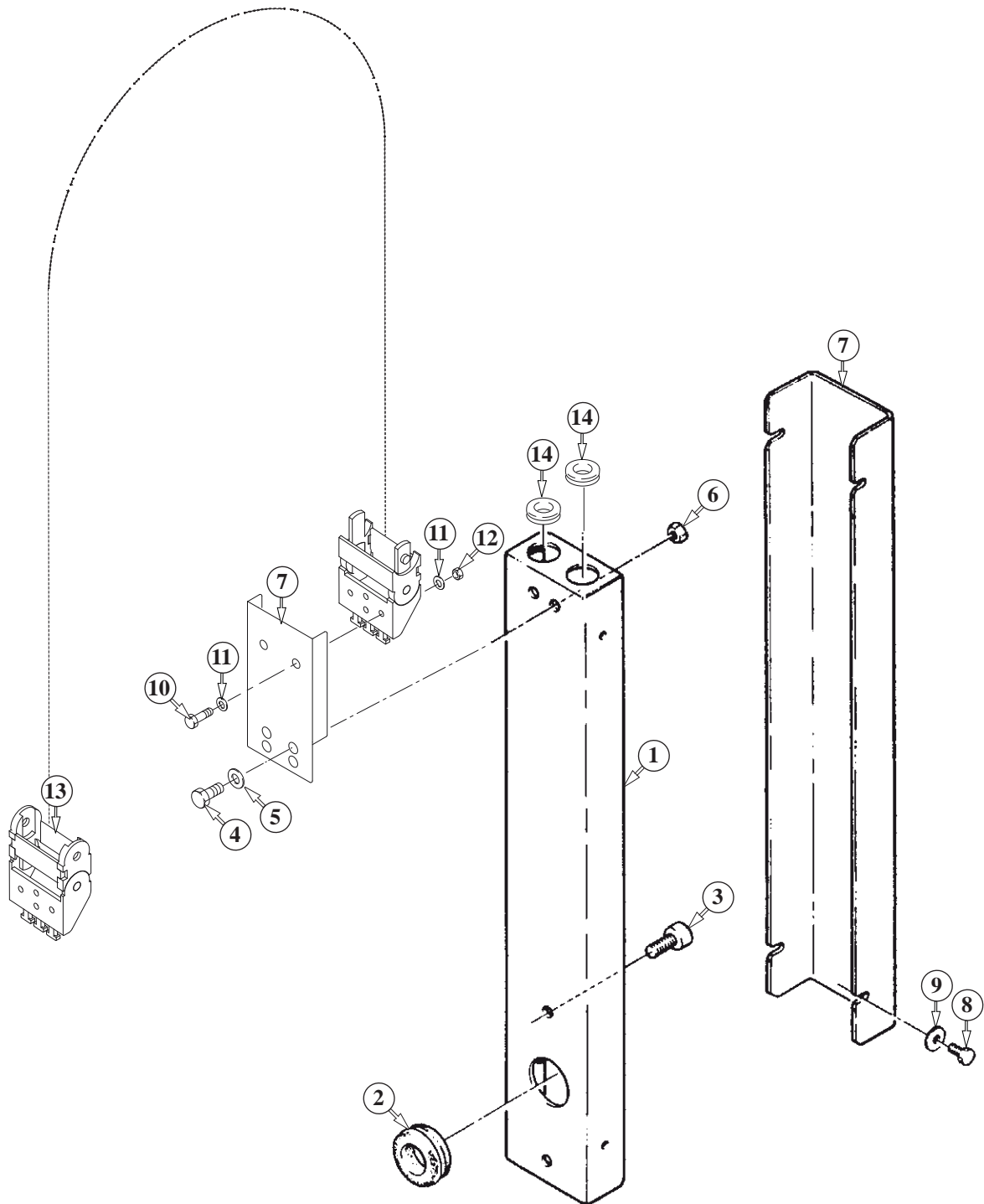


Figure 15869

**8000a-8000a3****Figure 15869**

<b>Ref. No.</b>	<b>3M Part No.</b>	<b>Description</b>
15869-1	78-8137-7805-3	Housing
15869-2	78-8076-4702-5	Grommet - Heyco SB1093-13
15869-3	26-1003-7963-0	Screw - Soc. Hd. M8X16
15869-4	78-8010-7163-6	Screw - M5X10, Hex. Hd.
15869-5	78-8005-5741-1	Washer - Flat, M5
15869-6	78-8137-7852-5	Bracket - Cable
15869-7	78-8137-7853-3	Cover - Housing
15869-8	78-8010-7157-8	Screw - Hex. Hd. M4X10
15869-9	78-8017-9018-5	Washer - Metric, Plain, M4 Special
15869-10	78-8060-7826-3	Screw - M4X16 Hex. Hd.
15869-11	78-8005-5740-3	Washer - 4mm - Nickel
15869-12	78-8028-8222-1	Nut - M4 Hex - Steel
15869-13	78-8137-7824-4	Chain
15869-14	78-8060-7758-8	Grommet - DG13,5

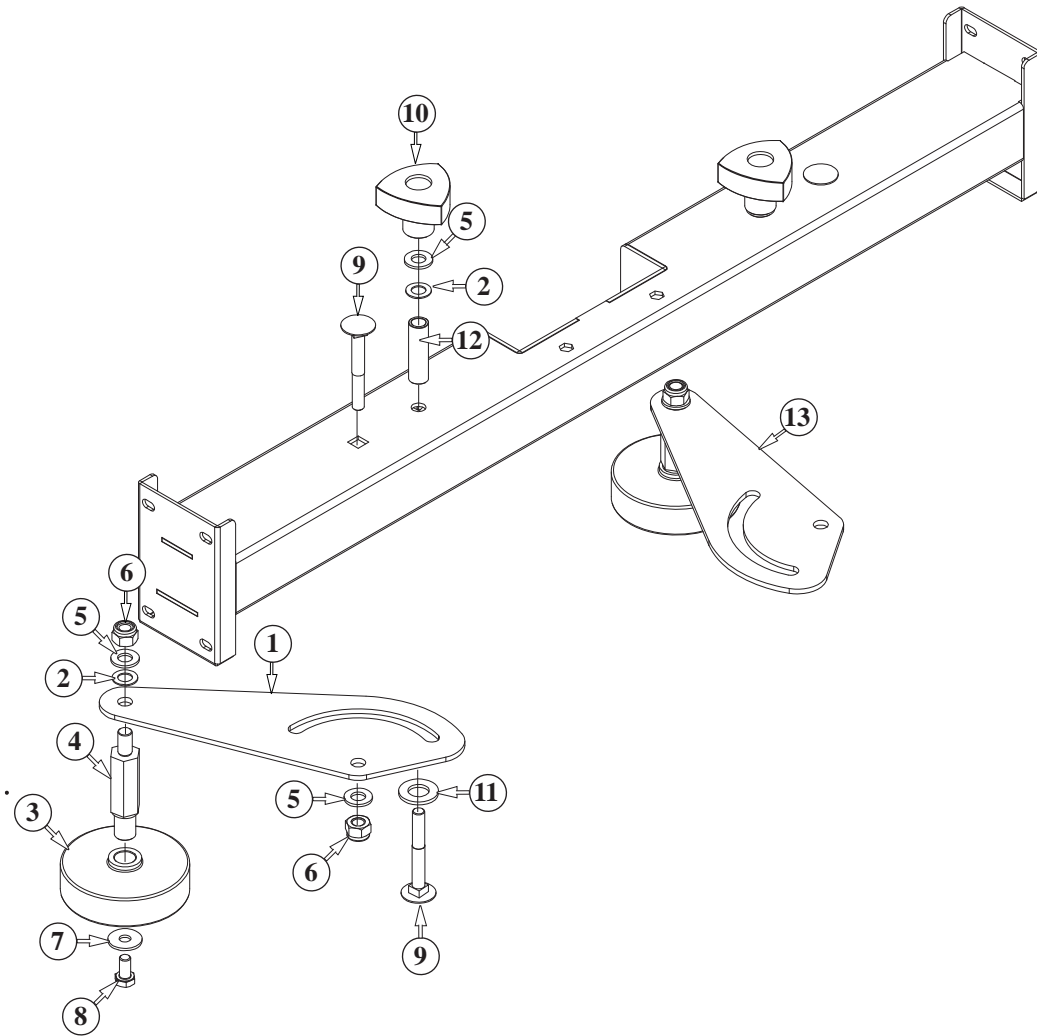


Figure 15870

Figure 15870

<b>Ref. No.</b>	<b>3M Part No.</b>	<b>Description</b>
15870-1	78-8137-7878-0	Support - Pressing Unit
15870-2	78-8017-9074-8	Washer - Nylon - 10,5/18X1
15870-3	78-8054-8974-3	Compression Roller
15870-4	78-8137-7881-4	Pin - Compression Roller
15870-5	26-1004-5510-9	Washer - M10 - Galvanized
15870-6	26-1003-6918-5	Nut - M10 Self-Locking
15870-7	26-1004-5507-5	Triple Washer - M8 - Galvanized
15870-8	26-1003-5841-0	Screw - M8X16 - Galvanized
15870-9	78-8137-7784-0	Screw - M10X70 - Galvanized
15870-10	78-8070-1549-6	Handle - "ELESA" VTR-B-M10
15870-11	78-8100-1154-0	Washer 30-15-05 - Galvanized
15870-12	78-8070-1562-9	Support - Compression Roller
15870-13	78-8137-7789-9	Compression Roller Assembly

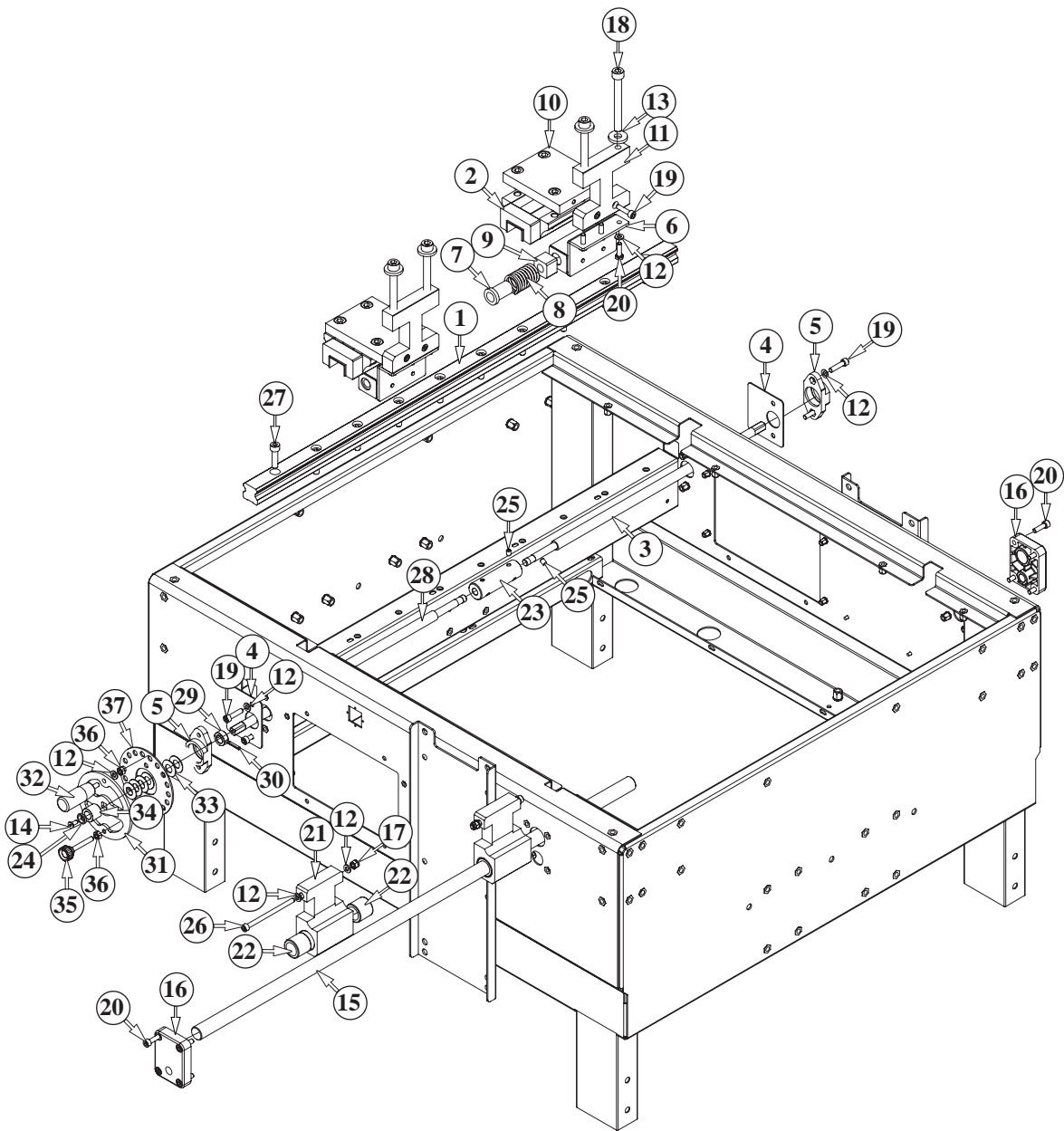


Figure 15871

Figure 15871

Ref. No.	3M Part No.	Description
15871-1	78-8137-5908-7	Bracket - Guide MRR-30-816-N
15871-2	78-8137-5909-5	Bracket - MRS-30-L-N-K0
15871-3	78-8137-5917-8	Shaft - Right Centering Screw
15871-4	78-8137-5913-7	Bracket - Guide
15871-5	78-8129-6304-5	Support w/Bearing
15871-6	78-8137-7810-3	Support - Compl. Right Nut
15871-7	78-8137-0919-9	Bushing - Spring Guide
15871-8	78-8137-7812-9	Spring - Drive Belt - Wire 3 L=72
15871-9	78-8129-6125-4	Nut - Column
15871-10	78-8137-7768-3	Block - Horizontal - Drive Belt
15871-11	78-8137-7767-5	Block - Vertical - Drive Belt
15871-12	26-1000-0010-3	Washer - M6
15871-13	78-8005-5740-3	Washer Plain - 4mm - Nickel
15871-14	26-0001-5862-1	Screw - M5X12 Flat Hd Soc.
15871-15	78-8137-7772-5	Rod - Guide
15871-16	<b>TBA</b>	Support - Rod S11-T Kyowa S8
15871-17	78-8091-0418-1	Nut M6 - Self-Locking
15871-18	78-8137-7886-3	Screw - M10X90
15871-19	26-1003-5842-8	Screw - M6X20 - Zinc
15871-20	78-8010-7210-5	Screw - M6X20 - Zinc
15871-21	78-8137-7813-7	Support Assembly
15871-22	78-8094-6230-8	Bushing - Bearing KH2030/P
15871-23	78-8137-5915-2	Connection Sleeve - Centering S8-CE 3"
15871-24	78-8060-8073-1	Washer - Motor
15871-25	78-8059-5617-0	Pin - M6X8 EIPP
15871-26	78-8137-7887-1	Screw - M6X90
15871-27	26-1003-7966-3	Screw - M8X30 - Galvanized
15871-28	78-8137-7835-0	Screw - Left Centering
15871-29	78-8137-7882-2	Bushing - Centering Screw
15871-30	78-8137-0922-3	Elastic Pin - 4X20 - Burnished
15871-31	78-8137-7832-7	Mounting Disc - Handle
15871-32	78-8137-7833-5	Handle - Rotating I.601\56+X-M6
15871-33	78-8060-7984-0	Spring - Burnished 12,2/25X0,9
15871-34	78-8137-7885-5	Spacer - Flap Folder Arm
15871-35	78-8137-0891-0	Handle - ELESA BT.20p-M6x40 S11T - KYOW
15871-36	78-8010-7418-4	Nut M6 - Hexagonal - Galvanized
15871-37	78-8137-7834-3	Handle - Adjustment Disc

THIS PAGE IS BLANK





## Instructions and Parts List

**3M-Matic**<sup>TM</sup>

**Accuglide**<sup>TM</sup> **3**

**Upper and**

**Lower**

**High Speed**

**Taping Heads**

**2 Inch**

**Type 10800**

Serial No. \_\_\_\_\_

For reference, record taping head(s) serial number(s) here.



**3M Industrial Adhesives and Tapes**

3M Center, Building 220-5E-06  
St. Paul, MN 55144-1000



### Important Safety Information

BEFORE INSTALLING  
OR OPERATING THIS  
EQUIPMENT

Read, understand, and  
follow all safety and  
operating instructions.

### Spare Parts

It is recommended you  
immediately order the  
spare parts listed in the  
"Spare Parts/Service  
Information" section.

These parts are expected  
to wear through normal  
use, and should be kept  
on hand to minimize  
production delays.

AccuGlide™ is a Trademark of  
3M, St. Paul, MN 55144-1000  
Printed in U.S.A.

© 3M 2013 44-0009-2070-0 (E040513-NA)



---

## Replacement Parts and Service Information

---

### To Our Customers:

This is the 3M-Matic™/AccuGlide™/Scotch® equipment you ordered. It has been set up and tested in the factory with Scotch® tapes. If technical assistance or replacement parts are needed, call or fax the appropriate number listed below.

Included with each machine is an Instructions and Parts List manual.


### Technical Assistance / Replacement Parts and Additional Manuals:

Call the 3M-Matic™ Help line at 1-800 328-1390. Provide the customer support coordinator with the model/machine name, machine type, and serial number that are located on the identification plate (For example: Model - Accuglide 3 - 2 inch - Type 10800 - Serial Number 13282).

#### United States -

**3M Tape Dispenser Parts**  
241 Venture Drive  
1-800-344-9883  
Amery, WI 54001-1325  
Fax: 1-715-268-8153

#### Identification Plate

<b>3M</b> 3M Company St. Paul, MN 55144 USA	Part Number	<b>3M-Matic™</b> For Industrial Use Only			 4000563
	Model	Year	Ampere	Watt	
Type	Serial Number	Volt	Hertz	Phase	

**Minimum billing on parts orders will be \$25.00. Replacement part prices available on request.  
\$10.00 restocking charge per invoice on returned parts**

Note : Outside the U.S., contact the local 3M subsidiary for parts ordering information.



**3M Industrial Adhesives and Tapes**  
3M Center, Building 220-5E-06  
St. Paul, MN 55144-1000

3M-Matic™, AccuGlide™ and Scotch™  
are Trademarks of  
3M St. Paul, MN 55144-1000  
Printed in U.S.A.

THIS PAGE IS BLANK

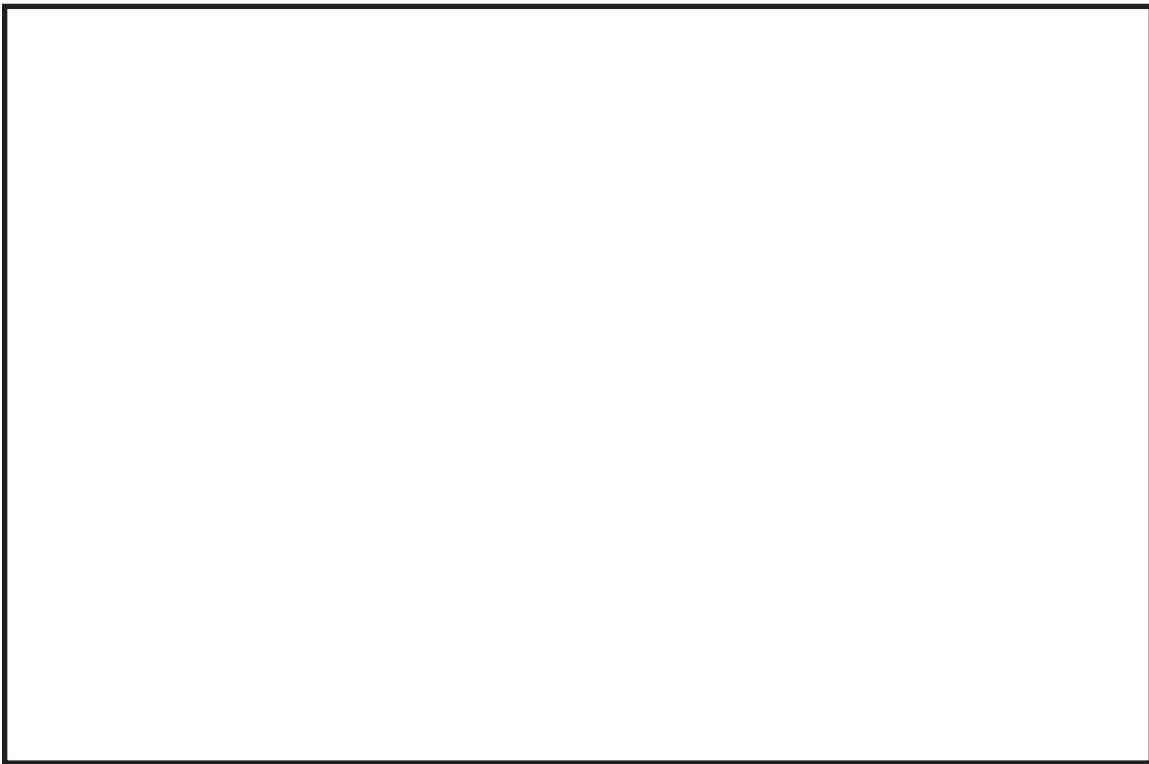
**To Our Customers:**

**This is the 3M-Matic™/AccuGlide™/Scotch® equipment you ordered. It has been set up and tested in the factory with Scotch® tapes. If any problems occur when operating this equipment and you desire a service call or phone consultation, call, write, or fax the appropriate number listed below.**

**Included with each machine is an Instructions and Parts List manual.**

**SERVICE, REPLACEMENT PARTS, AND ADDITIONAL MANUALS**

**AVAILABLE DIRECT FROM:**



Order parts by part number, part description, and quantity required. Also, when ordering parts or additional manuals, include model/machine name, machine type, and serial number that are located on the identification plate.



**3M Industrial Adhesives and Tapes**  
3M Center, Building 220-5E-06  
St. Paul, MN 55144-1000

3M-Matic™, AccuGlide™ and Scotch™  
are Trademarks of  
3M, St. Paul, MN 55144-1000  
Printed in U.S.A.

THIS PAGE IS BLANK

# Instruction Manual

## AccuGlide™ 3 High Speed 2 Inch Upper and Lower Taping Heads Type 10800

<b>Table of Contents</b>	<b>Page</b>
Replacement Parts and Service Information .....	i - ii
Table of Contents.....	iii
Equipment Warranty and Limited Remedy.....	iv
Intended Use .....	1
Taping Head Contents / How to Use Manual.....	3
Important Safeguards.....	4 - 5
Specifications .....	6 - 7
Dimensional Drawing .....	7
Installation .....	8
Receiving and Handling .....	8
Installation Guidelines .....	8
Tape Leg Length .....	8
Tape Width Adjustment .....	8
Operation.....	9 - 11
Tape Loading – Upper Taping Head.....	10
Tape Loading – Lower Taping Head.....	10 - 11
Maintenance .....	12 - 13
Blade Replacement.....	12
Blade Guard .....	12
Blade Oiler Pad .....	12
Cleaning .....	13
Applying/Buffering Roller Replacement.....	13
Adjustments.....	14 - 16
Tape Latch Alignment.....	14
Tape Drum Friction Brake .....	14
Applying Mechanism Spring.....	15
One-Way Tension Roller .....	15
Tape Leg Length .....	16
Leading Tape Leg Length Adjustment .....	16
Changing Tape Leg Length From 70 to 50 mm [2-3/4 to 2 Inch] .....	16
Troubleshooting Guide .....	17 - 18
Spare Parts/Service Information.....	19
Recommended Spare Parts.....	19
Replacement Parts and Service.....	19 - 20
Replacement Parts Illustrations and Parts List. ....	21 - End of Manual

## Warranty

---

### Equipment Warranty and Limited Remedy:

**Equipment Warranty and Limited Remedy: THE FOLLOWING WARRANTY IS MADE IN LIEU OF ALL OTHER WARRANTIES, EXPRESS OR IMPLIED, INCLUDING, BUT NOT LIMITED TO, ANY IMPLIED WARRANTY OF MERCHANTABILITY OR FITNESS FOR A PARTICULAR PURPOSE AND ANY IMPLIED WARRANTY ARISING OUT OF A COURSE OF DEALING, CUSTOM OR USAGE OF TRADE:**

3M sells its **AccuGlide™ 3 High Speed 2 Inch Upper and Lower Taping Heads, Type 10800** with the following warranty:

1. The Taping Head blade, springs and rollers will be free from defects in material and manufacture for ninety (90) days after delivery.
2. All other Taping Head parts will be free from defects in material and manufacture for three (3) years after delivery.

If any part is defective within this warranty period, your exclusive remedy and 3M's and seller's sole obligation shall be, at 3M's option, to repair or replace the part. 3M must receive actual notice of any alleged defect within a reasonable time after it is discovered, but in no event shall 3M have any obligation under this warranty unless it receives such notice within five (5) business days after the expiration of the warranty period. All notices required hereunder shall be given to 3M solely through the 3M-Matic™ Help line (800-328-1390). To be entitled to repair or replacement as provided under this warranty, the part must be returned as directed by 3M to its factory or other authorized service station designated by 3M. If 3M is unable to repair or replace the part within a reasonable time after receipt thereof, 3M, at its option, will replace the equipment or refund the purchase price. 3M shall have no obligation to provide or pay for the labor required to remove any part or equipment or to install the repaired or replacement part or equipment. 3M shall have no obligation to repair or replace those parts failing due to normal wear, inadequate or improper maintenance, inadequate cleaning, non-lubrication, improper operating environment, improper utilities, operator error or misuse, alteration or modification, mishandling, lack of reasonable care, or due to any accidental cause.

**Limitation of Liability:** Except where prohibited by law, 3M and seller will not be liable for any loss or damage arising from this 3M equipment, whether direct, indirect, special, incidental, or consequential, regardless of the legal theory asserted, including breach of warranty, breach of contract, negligence, or strict liability.

**Note:** The foregoing Equipment Warranty and Limited Remedy and Limitation of Liability may be changed only by a written agreement signed by authorized representatives of 3M and seller.

**AccuGlide™, Scotch™, and 3M-Matic™** are Trademarks of 3M, St. Paul, Minnesota 55144-1000



---

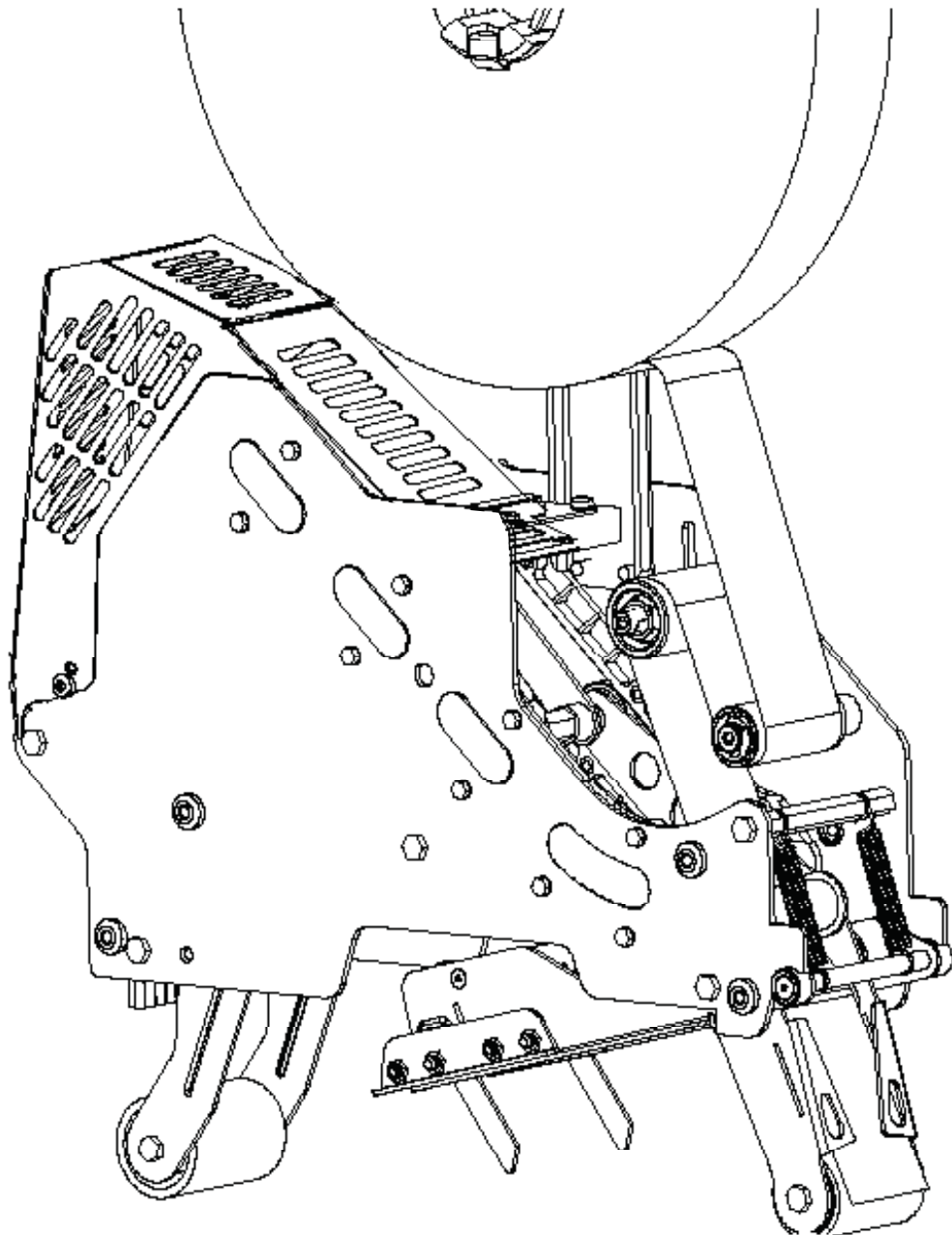
## Intended Use

---

The intended use of the AccuGlide™ 3 Upper and Lower Taping Heads - 2 Inch is to apply a "C" clip of Scotch® pressure-sensitive film box sealing tape to the top and/or bottom center seam of regular slotted containers.

These taping heads are incorporated into most standard 3M-Matic™ case sealers. The compact

size and simplicity of the taping head also makes it suitable for mounting in box conveying systems other than 3M-Matic™ case sealers. This includes replacement of other types of taping, gluing or stapling heads in existing case sealing machines. The AccuGlide™ 3 Upper and Lower Taping Heads - 2 Inch have been designed and tested for use with Scotch® pressure-sensitive film box sealing tape.



**AccuGlide™ 3 Upper Taping Head - 2 inch, Type 10800**

THIS PAGE IS BLANK

---

## Taping Head Contents

---

**AccuGlide™ 3 High Speed 2 Inch Upper and Lower Taping Heads consist of:**

<b>Qty.</b>	<b>Part Name</b>
1	Taping Head Assembly
1	Tape Drum and Bracket Assembly
1	Hardware and Spare Parts Kit
1	Threading Tool

---

## General Information

---

This instruction manual covers safety aspects, handling and transport, storage, unpacking, preparation, installation, operation, set-up and adjustments, technical and manufacturing specifications, maintenance, troubleshooting, repair work and servicing, electric diagrams, warranty information, disposal (ELV), a glossary with a definition of symbols, plus a parts list of the 3M-Matic™ Accuglide 3 (2 inch) 3M Industrial Adhesives and Tapes Division 3M Center, Bldg. 220-5E-06 St. Paul, MN 55144-1000 (USA) Edition April 2013/Copyright 3M 2013. All rights reserved The manufacturer reserves the right to change the product at any time without notice.

---

## How to use this Manual

---

The manual is an important part of the machine; all information contained herein is intended to enable the equipment to be maintained in perfect condition and operated safely. Ensure that the manual is available to all operators of this equipment and the manual is kept up to date with all subsequent amendments. Should the equipment be sold or disposed of, please ensure that the manual is passed on with the machine.

Electrical and pneumatic diagrams are included in the manual. Equipment using PLC controls and/or electronic components will include relevant schematics or programs in the enclosure (or will be delivered separately as needed)

Keep the manual in a clean and dry place near the machine. Do not remove, tear or rewrite parts of the manual for any reason. Use the manual without damaging it. However, if the manual has been lost or damaged, ask your after sale service for a new copy (if it is possible, please have the manual name, part number, and revision information and/or model/machine name, machine type, and serial number) that are located on the identification plate **(For example: Model - Accuglide 3 - 2" - Type 10800 - Serial Number 13282).**

**Note:**

All the important warning notes related to the operation of the machine are identified by the symbol:



## Updating the Manual

Modifications to the machine are subject to manufacturer's internal procedures. The user may receive pages or parts of the manual which contain amendment made after its first publication. The user must use them to update this manual.

---

## Important Safeguards

---



This safety alert symbol identifies important safety messages in this manual.

**READ AND UNDERSTAND THEM BEFORE INSTALLING OR OPERATING THIS EQUIPMENT.**

### Explanation of Signal Word Consequences



**CAUTION:** Indicates a potentially hazardous situation, which, if not avoided, may result in minor or moderate injury and/or property damage.



**WARNING:** Indicates a potentially hazardous situation, which, if not avoided, could result in death or serious injury and/or property damage.



## WARNING

- **To reduce the risk associated with mechanical hazards:**
  - Read, understand and follow all safety and operating instructions before operating or servicing the case sealer
  - Allow only properly trained and qualified personnel to operate and/or service this equipment
- **To reduce the risk associated with shear, pinch, and entanglement hazards:**
  - Turn air and electrical supplies off on associated equipment before performing any adjustments, maintenance, or servicing the taping heads
  - Never attempt to work on the taping head or load tape while the box drive system is running
- **To reduce the risk associated with sharp blade hazards:**
  - Keep hands and fingers away from tape cutoff blades under orange blade guards. The blades are extremely sharp.



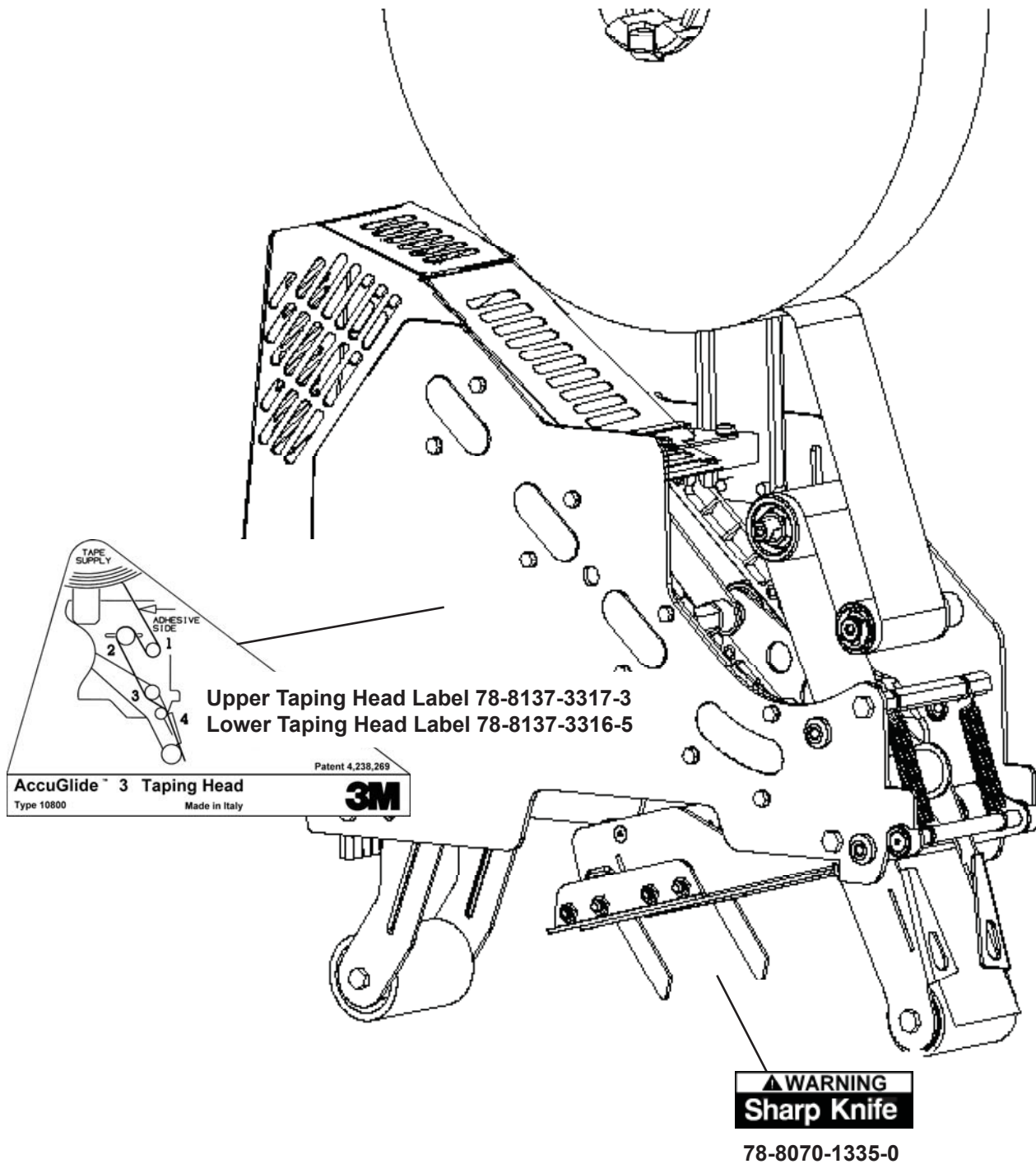
## CAUTION

- **To reduce the risk associated with muscle strain:**
  - Use proper body mechanics when removing or installing taping heads that are moderately heavy or may be considered awkward to lift
- **To reduce the risk associated with impact hazards:**
  - Place the taping head on a smooth level surface when maintaining or servicing this equipment

(Important Safeguards continued on next page)

**Important Safeguards** (continued)

**Important** - In the event the following safety labels are damaged or destroyed, they must be replaced to ensure operator safety. See "Replacement Parts Illustrations and Parts Lists" for label part numbers.



**Figure 1-1 Replacement Labels/3M Part Numbers**

---

## Specifications

---

1. **Tape:**

For use with Scotch® pressure-sensitive film box sealing tapes.

2. **Tape Width:**

36mm or 1-1/2 inches minimum to 48mm [2 inches] maximum.

3. **Tape Roll Diameter:**

Up to 405mm [16 inches] maximum on a 76.2mm [3 inch] diameter core.  
(Accommodates all system roll lengths of Scotch® film tapes.)

4. **Tape Application Leg Length - Standard:**

70mm ± 6mm [2-3/4 inches ± 1/4 inch]

**Tape Application Leg Length - Optional:**

50mm ± 6mm [2 inches ± 1/4 inch] (See "Adjustments – Tape Leg Length.")

5. **Box Size Capacities:**

For use with center seam regular slotted containers.

When upper and lower taping heads are used on “**3M-Matic**” case sealers, refer to the respective instruction manual specifications for box weight and size capacities.

6. **Operating Rate:**

Conveyor speeds up to 0.5 m/s [100 feet per minute].

7. **Operating Conditions:**

Use in dry, relatively clean environments at 5° to 40°C [40° to 105°F] with clean dry boxes.

**Important** – Taping heads should not be washed down or subjected to conditions causing moisture condensation on components.

8. **Taping Head Dimensions:**

Length	–	442mm [17 3/8 inches]
Height	–	648mm [25 1/2 inches] (with tape drum)
Width	–	105mm [4-1/8 inches] (without mounting spacers)
Weight	–	Packaged: 8.6kg [19 lbs.] Unpackaged: 7.7kg [17 lbs.]

(Specifications continued on next page.)

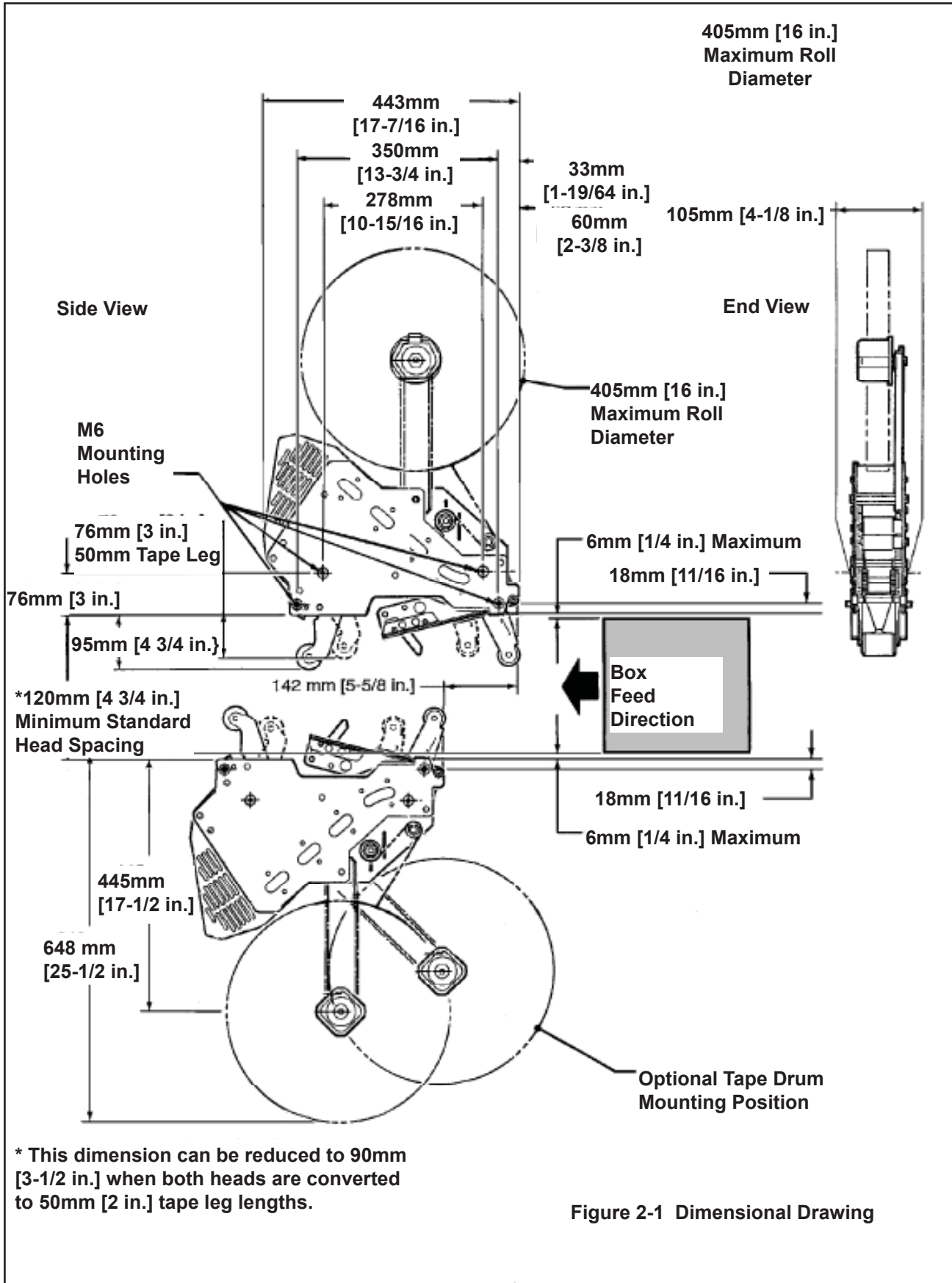


Figure 2-1 Dimensional Drawing

## Installation



### WARNING

- **To reduce the risk associated with sharp blade hazards:**
  - Keep hands and fingers away from tape cutoff blades under orange blade guards.  
The blades are extremely sharp

### Receiving And Handling

After the taping head assembly has been unpackaged, examine the unit for damage that might have occurred during transit. If damage is evident, file a damage claim immediately with the transportation company and also notify your 3M Representative.

### Installation Guidelines

The taping head assembly can be used in converting existing or in custom made machinery. It can be mounted for top taping or bottom taping. Refer to "Box Size Capacities," as well as **Figure 2-1** in the Specifications section, for the following points in making such installations:



### CAUTION

- **To reduce risk associated with muscle strain:**
  - Use proper body mechanics when removing or installing taping heads that are moderately heavy or may be considered awkward to lift

**Important** – Always conduct a hazard review to determine appropriate guarding requirements when the installation is in an application other than 3M-Matic™ equipment

1. The box conveying system must positively propel the box in a continuous motion, not exceeding 0.40 m/s [80 feet per minute], past the taping head assembly since the box motion actuates the taping mechanism.
2. If a pusher or cleated conveyor is being used, steps should be taken in the conveyor design to prevent the pusher from contacting the applying or buffing roller arms resulting in damage to the taping head.

3. **Figure 2-1** illustrates the typical mounting relationship for opposing taping head assemblies to allow taping of box heights down to 90mm [3-1/2 inches]. To tape box heights down to 70mm [2-3/4 inches], the taping heads must be completely staggered so only one tape seal is being applied at one time.

**Note** – AccuGlide™ 3 High Speed Upper Taping Head is supplied with a buffing arm guard. Adjustments to this guard may be required to install the taping head into some older design 3M-Matic™ case sealers.

4. Mounting studs are provided with the taping head, but special installations may require alternate means for mounting.
5. Box hold-down or guide skis should be provided and the taping head mounted so that the side plates are 6mm [1/4 inch] maximum away from the ski surface on which the box rides.

### Tape Leg Length

Taping heads are factory set to apply standard 70mm [2-3/4 inch] tape legs. The heads can be converted to apply 50mm [2 inch] tape legs if desired but both upper and lower heads must be set to apply the same tape leg length. See "Adjustments – Changing Tape Leg Length From 70 to 50mm [2-3/4 to 2 Inches]."

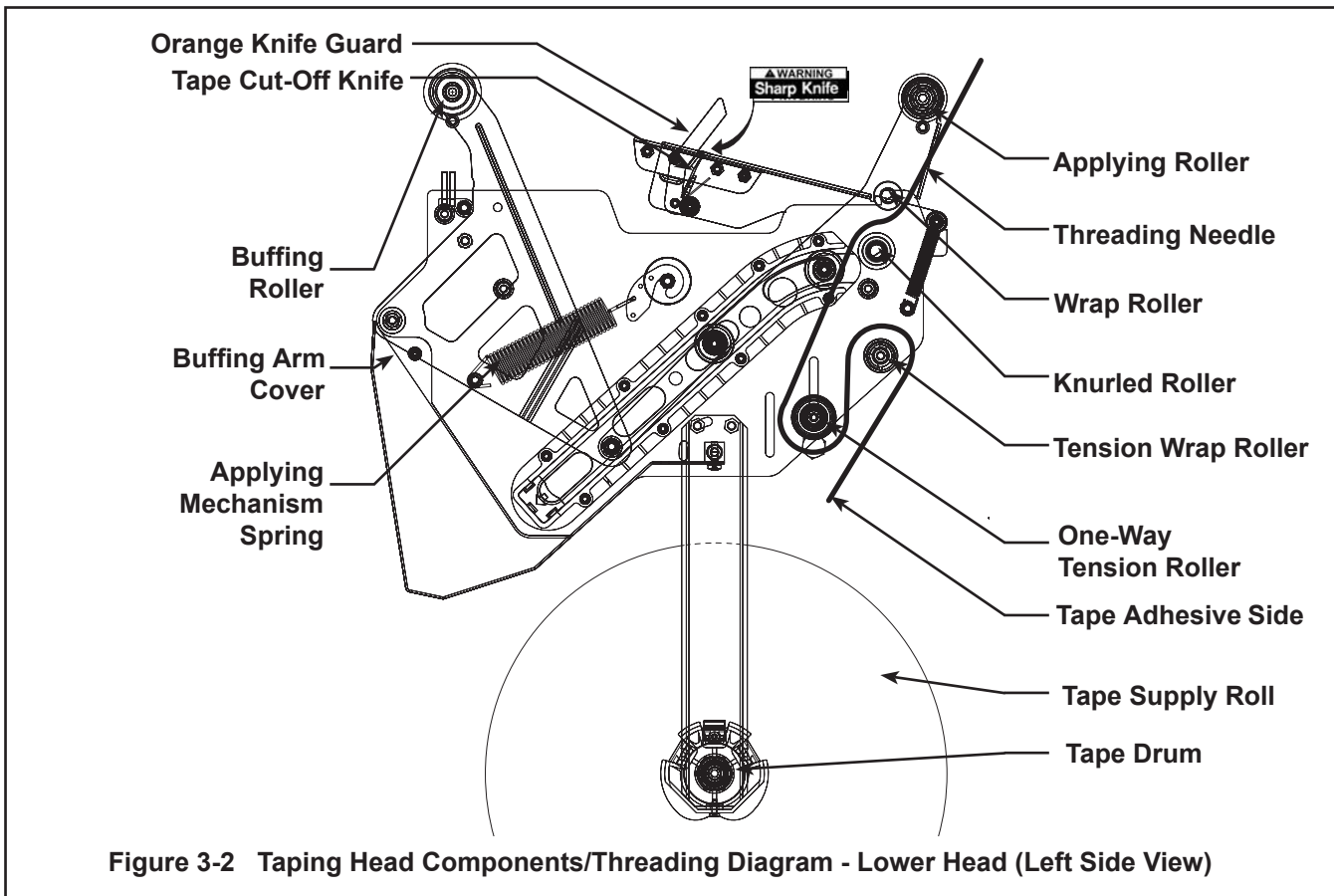
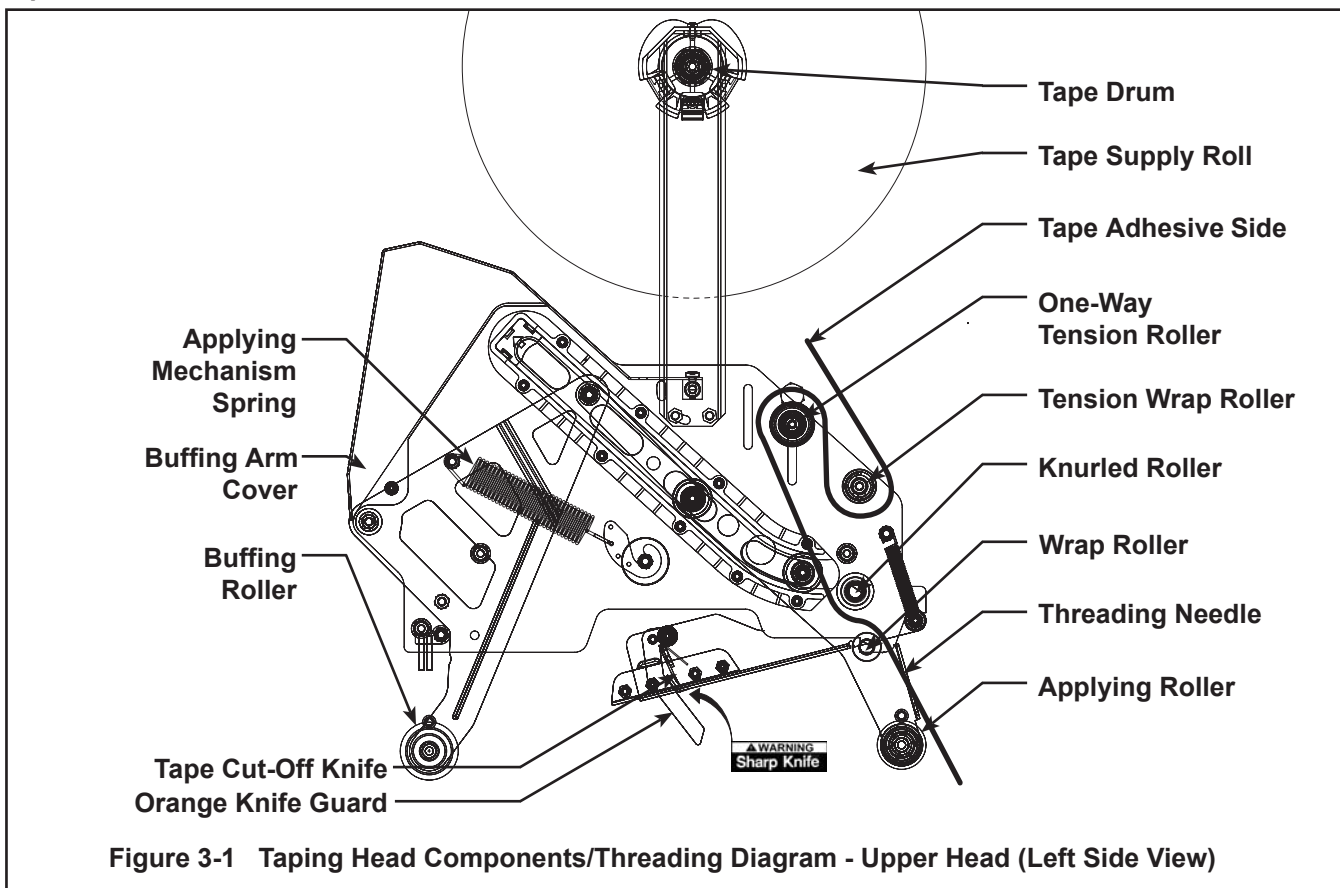
Also, the conveyor speed at which the product moves through the taping heads, affects the leading and trailing tape leg length. See "Adjustments section – Leading Tape Leg Length Adjustment."

### Tape Width Adjustment

Taping heads are factory set to apply 48mm [2 inch] wide tape. If it is necessary to align the tape or to apply narrower tapes, refer to "Adjustments – Tape Web Alignment" for set-up procedure.



Operation





## WARNING

- **To reduce the risk associated with shear, pinch, and entanglement hazards:**
  - Turn air and electrical supplies off on associated equipment before performing any adjustments, maintenance, or servicing the machine or taping heads
  - Never attempt to work on the taping heads or load tape when the box drive system is running
- **To reduce the risk associated with sharp blade hazards:**
  - Keep hands and fingers away from tape cutoff blades under orange blade guards.  
The blades are extremely sharp

It is recommended that the detailed instructions and sketches in this manual be referred to the first few times the taping head is loaded/threaded until the operator becomes thoroughly familiar with the tape loading operation.

**Note** – Remove tape roll before removing taping head from machine to minimize weight.



## CAUTION

- **To reduce the risk associated with muscle strain:**
  - Use proper body mechanics when removing or installing taping heads that are moderately heavy or may be considered awkward to lift
- **To reduce the risk associated with impact hazards:**
  - Place the taping head on a smooth level surface when maintaining or servicing this equipment

### Tape Loading – Upper Taping Head

1. Place the upper taping head in a convenient working position.
2. Use **Figures 3-3 to 3-5** and tape threading label. Position the tape supply roll so the adhesive side of tape is facing the front of the taping head as it is pulled from the supply roll.
3. Attach the threading needle to the end of the roll. Guide the threading needle around the wrap roller (Position 1) then back around the one-way tension roller (Position 2).
4. Continue pulling the threading needle down and guide it between the two rollers on the apply arm (Position 3).

5. Pull the threading needle down until the tape travels between the apply plate and the ears of the apply arm (Position 4) until it extends past the applying roller. When properly threaded the adhesive side of the tape should be facing the knurled rollers at position 2 and also position 3.
6. Cut away any excess tape.

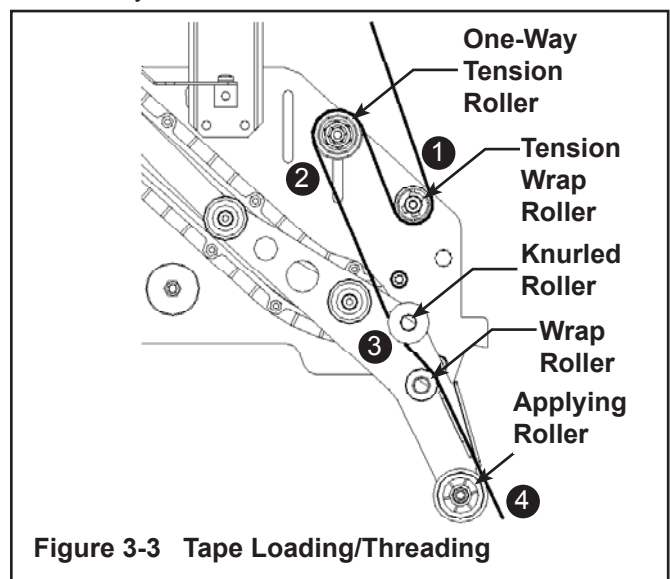
**Important** – Do not cut against the apply roller - roller damage could occur.

### Tape Loading – Lower Taping Head

1. Remove the lower taping head from the conveyor bed or associated equipment and place it a convenient working position.
2. The lower taping head is loaded and threaded in the same manner as the upper head. Follow the upper taping head tape loading/threading procedure.

**Figure 3-3**

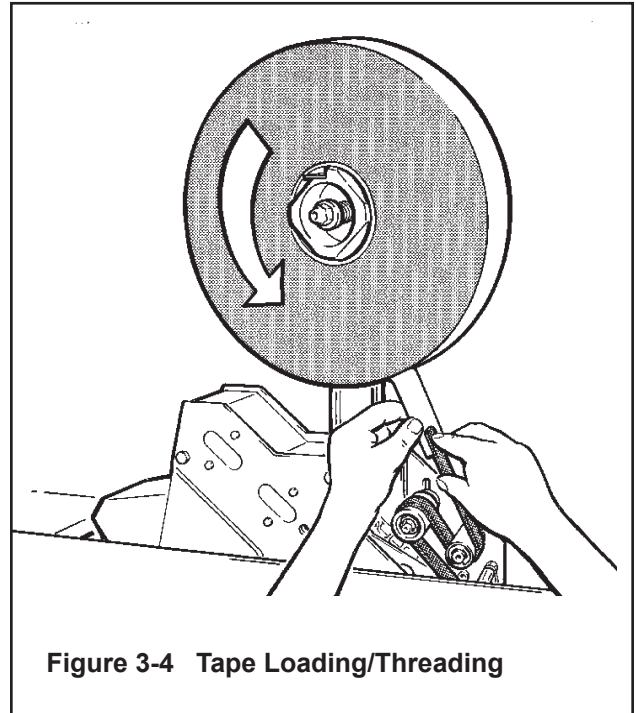
Insert threading needle through rollers in direction indicated by arrows.



**Figure 3-3** Tape Loading/Threading

**Figure 3-4**

Place tape roll on tape drum to dispense tape with adhesive side forward. Seat tape roll fully against back flange of drum. Adhere tape lead end to threading needle as shown.

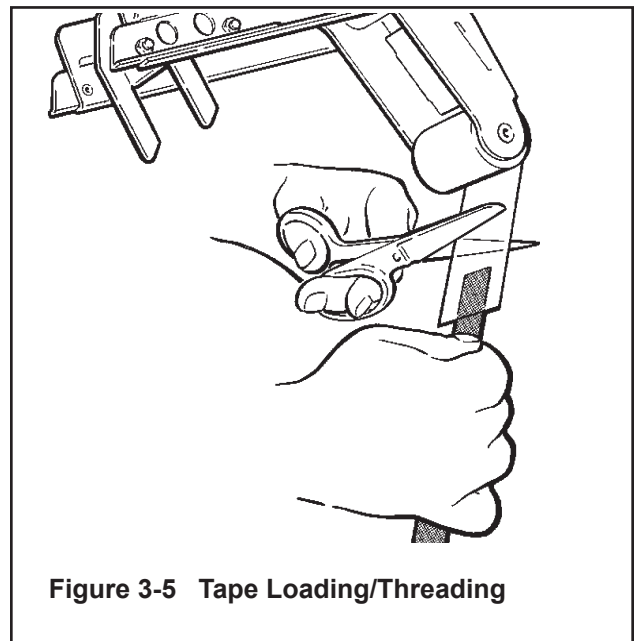


**WARNING**

- **To reduce the risk associated with sharp blade hazards:**
  - Keep hands and fingers away from tape cutoff blades under orange blade guards. The blades are extremely sharp.

Manually turn tape roll to create slack tape while pulling threading needle through tape applying mechanism until needle is through and tape is in alignment with applying roller.

Excess tape can be cut with a scissors at applying roller.





### WARNING

- **To reduce the risk associated with shear, pinch, and entanglement hazards:**
  - Turn air and electrical supplies off on associated equipment before performing any adjustments, maintenance, or servicing the taping heads
  - Never attempt to work on the taping head or load tape while the box drive system is running
- **To reduce the risk associated with sharp blade hazards:**
  - Keep hands and fingers away from tape cutoff blades under orange blade guards. The blades are extremely sharp

The AccuGlide™ 3 High Speed 2 Inch Taping Head has been designed for long, trouble free service. The taping head will perform best when it receives routine maintenance and cleaning. Taping head components that fail or wear excessively should be promptly repaired or replaced to prevent damage to other portions of the head or to the product.

3. Bottom the blade slots against the screws. (This will position the blade at the correct angle.) Tighten the blade screws to secure the blade.

**Note** – Check the blade position to insure proper clearance between blade and guard by slowly pivoting the blade guard back.

#### Blade Replacement, Upper and Lower Taping Heads – Figure 4-1

#### Blade Guard

The blade guard covers the blade whenever a box is not being taped. Periodically check to be sure the blade guard is functioning properly and returning to cover the blade. Replace any defective parts.



### WARNING

- **To reduce the risk associated with sharp blade hazards:**
  - Keep hands and fingers away from tape cutoff blades under orange blade guards. The blades are extremely sharp

1. Loosen, but do not remove, the blade screws (A). Remove and discard old blade.
2. Mount the new blade (B) with the beveled side away from the blade holder.

#### Blade Oiler Pad



### WARNING

- **To reduce the risk associated with sharp blade hazards:**
  - Keep hands and fingers away from tape cutoff blades under orange blade guards. The blades are extremely sharp

To reduce adhesive build-up, the taping heads are equipped with a factory pre-lubricated felt oiler pad that provides a film of oil on the cutting edge of the blade. Blade maintenance should include keeping the felt oiler pad saturated with Silicone.

Should tape adhesive build-up occur on blade, carefully wipe clean with an oily cloth.

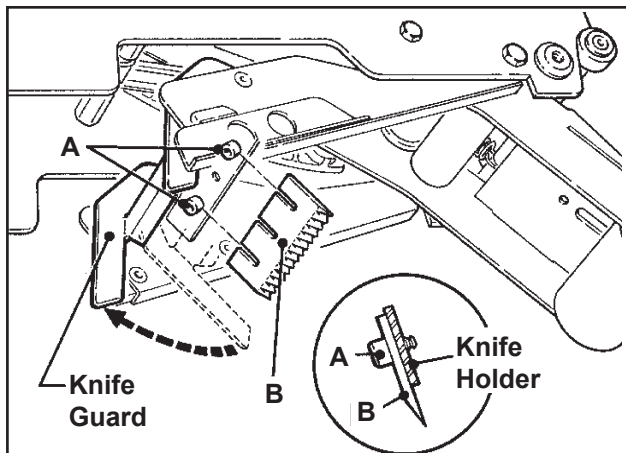


Figure 4-1 Blade Replacement

(Maintenance continued on next page.)



## WARNING

- **To reduce the risk associated with shear, pinch, and entanglement hazards:**
  - Turn air and electrical supplies off on associated equipment before performing any adjustments, maintenance, or servicing the taping heads
  - Never attempt to work on the taping head or load tape while the box drive system is running
- **To reduce the risk associated with sharp blade hazards:**
  - Keep hands and fingers away from tape cutoff blades under orange blade guards.  
The blades are extremely sharp

### Cleaning

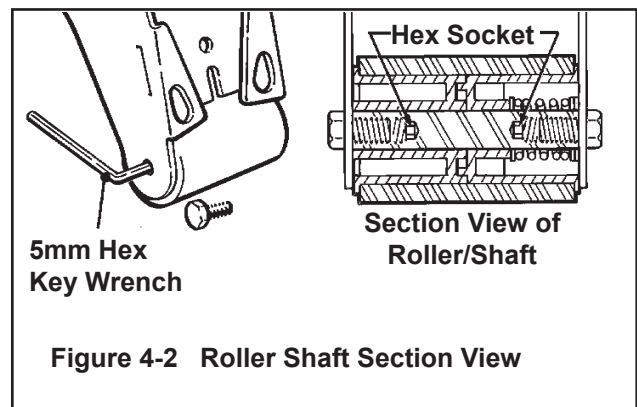
Regular slotted containers produce a great deal of dust and paper chips when conveyed through taping heads. If this dust is allowed to build-up on the heads, it can cause wear on the moving parts. Excessive dirt build-up should be wiped off with a damp cloth. Cleaning should be done once per month, depending on the number and type of boxes used. If the boxes used are dirty, or if the environment in which the heads operate is dusty, cleaning on a more frequent basis may be necessary.

**Note** – Never attempt to remove dirt from taping heads by blowing it out with compressed air. This can cause the dirt to be blown inside the components onto sliding surfaces. Dirt in these areas can cause serious equipment damage. Never wash down or subject taping heads to conditions causing moisture condensation on components. Serious equipment damage could result.

### Applying/Buffering Roller Replacement

Replacing roller requires removal of shaft and mounting screws. With no area on the shaft to grip, the shaft often turns when attempting to remove the second screw.

To ease removal of second screw, a 5mm hex socket has been provided at the bottom of the threads in both ends of the shaft. Insert a 4mm hex key wrench into this socket after removing one screw to hold the shaft for removal of the second screw. See **Figure 4-2**.





**WARNING**

- To reduce the risk associated with shear, pinch, and entanglement hazards:
- Turn air and electrical supplies off associated equipment before performing any adjustments, maintenance, or servicing the machine or taping heads.
- Never attempt to work on the taping head or load tape while the box drive system is running

**Tape Latch Alignment – Figure 5-1**

The Latching tape drum assembly is pre-set to accommodate 48mm [2 inch] wide tape. The tape drum assembly is adjustable to provide alignment of narrower tapes.

To move the latch to a position that corresponds to a new tape core width (**Figure 5-1**):

1. Remove screw from the latch.
2. Move to the latch to the position that corresponds to the tape core width.
3. Replace screw in the new latch location.

To adjust or center the tape width on the centerline of the taping head, and therefore box center seam, (**Figure 5-2**):

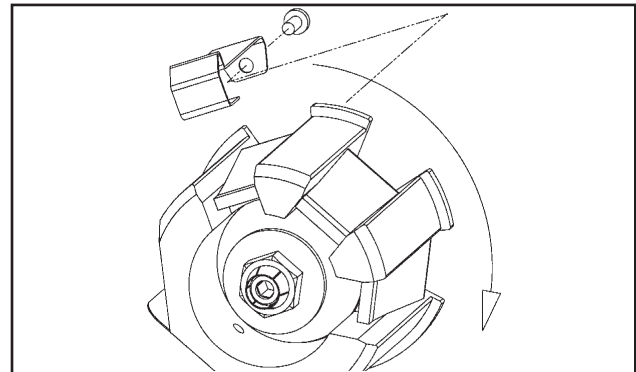
1. Loosen the locking hex nut behind tape drum bracket on tape drum shaft. Use an adjustable wrench or 25mm open end wrench.
2. Turn tape drum shaft in or out to center the tape web (use 5mm hex wrench).
3. Tighten locking hex nut to secure the adjustment.

No other components require adjustment for tape web alignment.

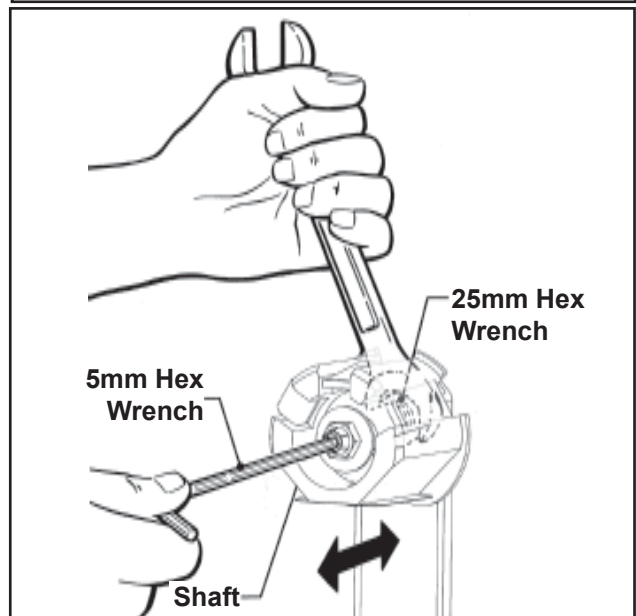
**Tape Drum Friction Brake – Figure 5-3**

The tape drum friction brake on each taping head is pre-set for normal operation to prevent tape roll over travel. Should tension adjustment be required, turn the self-locking nut on the shaft to vary compression of the spring. Turn the nut clockwise to increase the braking force, and counterclockwise to decrease the braking force. Adjust brake to minimum tension to prevent excessive tape roll over travel.

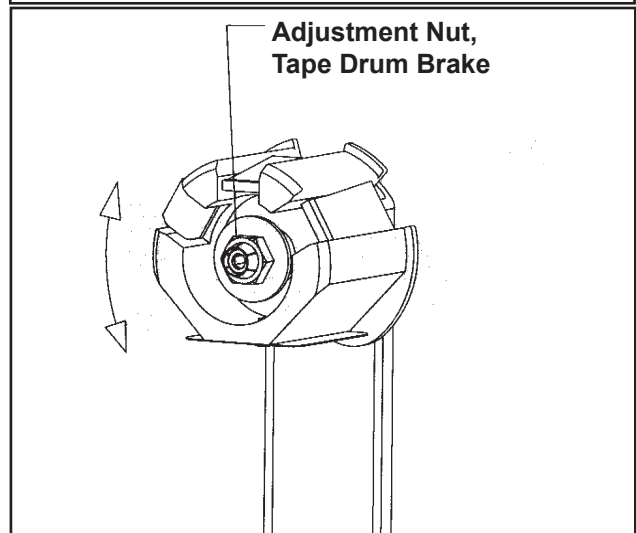
**Note** – Excess braking force will cause poor tape application and may lead to tape tabbing on the trailing tape leg.



**Figure 5-1 Tape Latch Alignment**



**Figure 5-2 Tape Web Alignment**



**Figure 5-3 Tape Drum Friction Brake**

(adjustments continued on next page.)



**WARNING**

- **To reduce the risk associated with shear, pinch, and entanglement hazards:**
  - Turn air and electrical supplies off associated equipment before performing any adjustments, maintenance, or servicing the machine or taping heads.
  - Never attempt to work on the taping head or load tape while the box drive system is running

**Applying Mechanism Spring**

To obtain access to the spring, remove the taping head cover (four mounting screws). Replace cover when finished.

The applying mechanism spring, shown in **Figures 5-4A and 5-4B**, controls applying and buffing roller pressure on the box and returns the mechanism to the reset position. The spring pressure is pre-set, as shown in **Figure 5-4A** for normal operation, but is adjustable.

If a tape gap appears on the trailing surface of the box increase spring pressure. If the front of the box is being crushed by the applying roller decrease spring pressure.

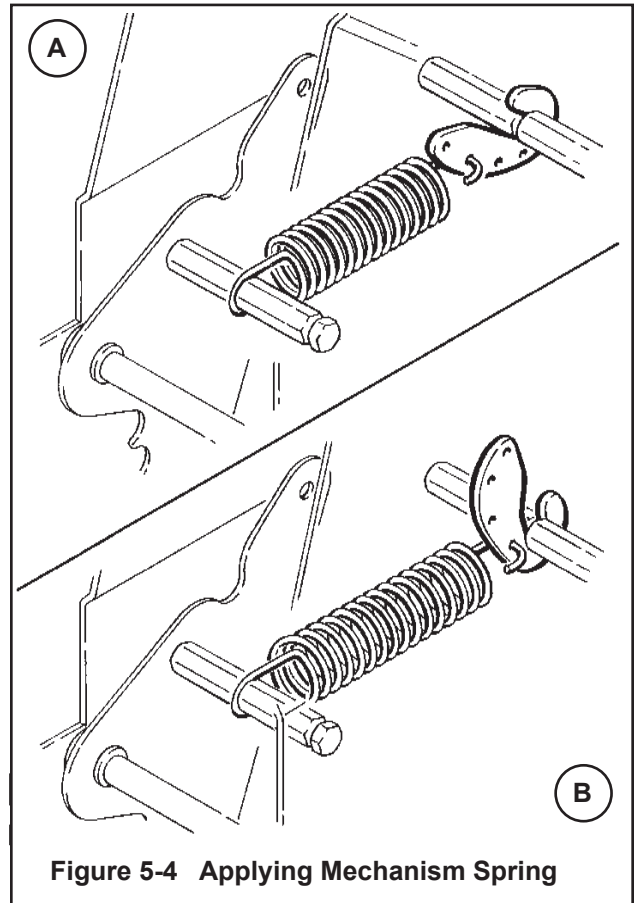
Removing the spring end loop from the spring holder and placing loop in other holes provided, as shown in **Figure 5-4B**, will adjust the spring pressure.

**One-Way Tension Roller**  
**Figure 5-5**

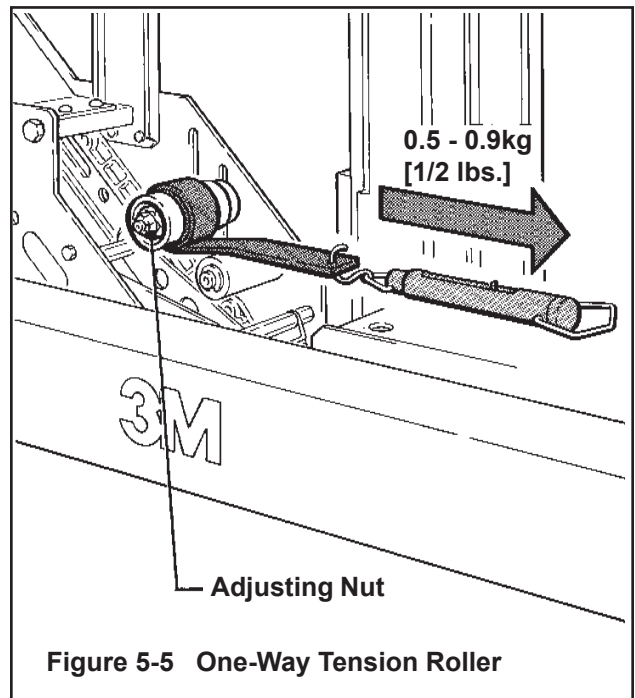
The one-way tension roller is factory set. When replacing this assembly, the roller must have 0,5 kg [1 lb.] minimum tangential force when turning.

To Adjust Tension:

1. Wrap a cord or small strap (non-adhesive) 4-6 turns around the tension roller.
2. Attach a spring scale to the end of the cord or strap.
3. Turn the adjusting nut with the socket wrench provided, until a force of approximately 0.5 kg to 0.9 kg [1 to 2 lbs.] is required to turn the roller by pulling on the spring scale.



**Figure 5-4 Applying Mechanism Spring**



**Figure 5-5 One-Way Tension Roller**

(Adjustments continued on next page.)



**WARNING**

- To reduce the risk associated with shear, pinch, and entanglement hazards:
  - Turn air and electrical supplies off associated equipment before performing any adjustments, maintenance, or servicing the machine or taping heads.
  - Never attempt to work on the taping head or load tape while the box drive system is running

**Tape Leg Length**



**WARNING**

- To reduce the risk associated with sharp blade hazards:
  - Keep hands and fingers away from tape cutoff blades under orange blade guards. The blades are extremely sharp.

**Leading Tape Leg Length Adjustment – Figure 5-6**

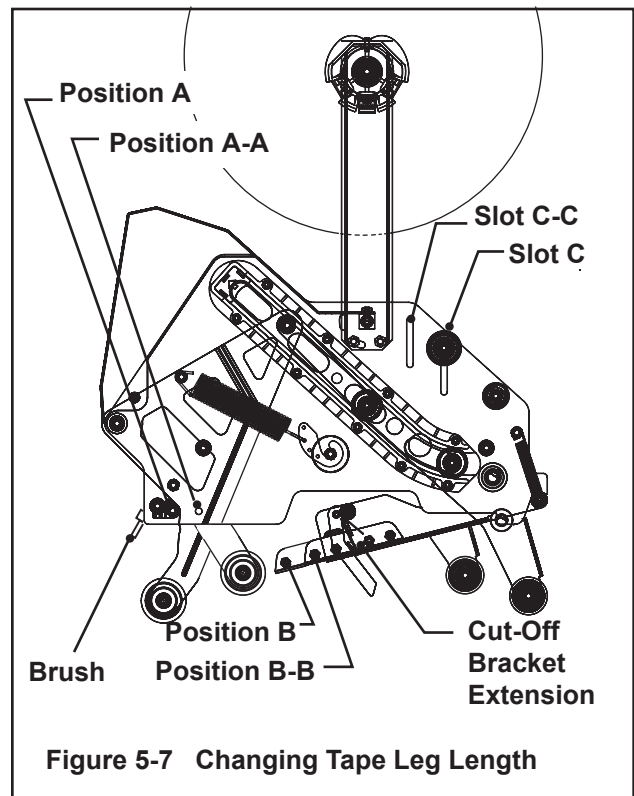
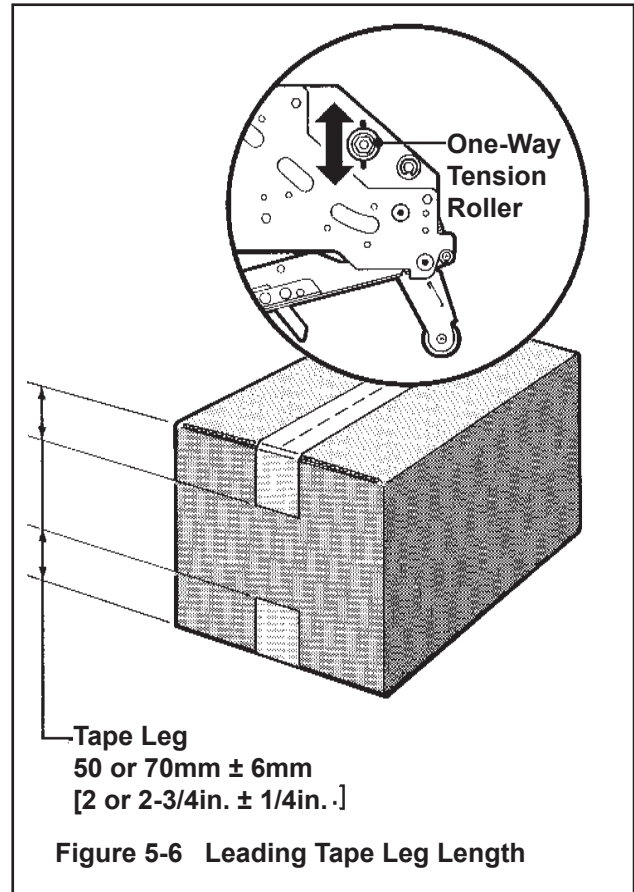
The one-way tension roller position is adjustable to control the leading tape leg length.

Moving this roller farther away from the box top or bottom surface will decrease the leading leg length. Moving it closer to the box top or bottom surface will increase the leading leg length.

**Changing Tape Leg Length from 70 to 50mm [2-3/4 to 2 Inches] – Figure 5-7**

**Note** – When changing tape leg length, both upper and lower heads must be adjusted to apply the same leg lengths.

1. Remove and retain two hex head screws and remove the brush from normal position “A” on side frame.
2. Remount and secure brush in position “A-A” on side frame forward of normal location using original fasteners.
3. Remove cut-off bracket extensions from position “B”.
4. Remount cut-off bracket extensions in forward position “B-B”.
5. Remove and retain the one-way tension roller assembly from slot “C” in frame.
6. Remount tension roller assembly near top of slot “C-C” in frame using original fasteners.
7. Adjust tension roller according to "Leading Tape Leg Length Adjustment" above.



**Figure 5-7 Changing Tape Leg Length**



---

## Troubleshooting

---

### Troubleshooting Guide

<b>Problem</b>	<b>Cause</b>	<b>Correction</b>
The tape leg on the front of the case is too long	The tape is threaded incorrectly	The tape must go around the wrap roller before going around the one-way tension roller
	The tape tension is too low	Adjust the one-way tension roller
	The knurled roller drags	Check for adhesive build-up between the knurled roller and its shaft. Clean and lubricate shaft. Remove all lubricant from roller surfaces.
	Tape tracks to one side or drags on the support tabs of applying frame	Adjust the tape web alignments
	The one-way tension roller is not correctly positioned	Position the roller in its mounting slot so that the tape extends just beyond the centerline of the applying roller
	Taping head is not set up properly	Check leg length adjustments
The blade does not cut tape or the tape end is jagged or shredded	The blade is dull and/or has broken teeth	Replace the blade
	Tape tension is insufficient	Increase tape tension by adjusting the one-way tension roller
	Adhesive has built up on the blade	Clean and adjust the blade
	The blade is not positioned properly	Make sure the blade is bottomed out against the mounting bolts
	The blade is dry	Lubricate the blade oiler pad on the blade guard
	The blade is in backwards	Mount the blade so that the beveled edge is away from the entrance of the head
	One or both cutter springs are missing or stretched	Replace the defective spring(s)
	Tension roller surface is not fully contacting the taping head frame	Make sure one-way bearing is below the surface of the tension roller. If not, press bearing further into roller or replace roller.

**Troubleshooting** (continued)

---

**Troubleshooting Guide**

<b>Problem</b>	<b>Cause</b>	<b>Correction</b>
Tape is tabbing on the trailing leg on the back of the box	There is excess tension on the tape drum assembly and/or the one-way tension roller assembly	Adjust the one-way tension roller and/or the tape drum assembly
	Rollers in the tape path do not rotate freely	Clean adhesive deposits from the surface, ends, and shafts of the rollers. Then lubricate roller shafts. Remove all lubricant from roller surfaces.
	The blade is not cutting tape properly	Refer to tape cutting problems
	The tape is threaded incorrectly	Re thread the tape
The tape end does not stay in application position in front of the applying roller	Applying mechanism spring has too little tension	Move spring hook to next tighter hole
	The tape is incorrectly threaded	Re thread the tape
	Flanged knurled roller overruns on return of applying mechanism to its rest position	Adjust tension roller position in mounting slot to lengthen tape leg
	Applying roller overruns on return of applying mechanism to its rest position	There should be a slight drag when rotating the applying roller. If not, check friction springs and/or friction pins and replace if necessary
	The one-way tension roller is not correctly positioned	Position roller in its mounting slot so that tape end extends beyond centerline of applying roller
Tape not centered on box seam	The one-way tension roller is defective	Replace the one-way tension roller
	Tape drum not centered	Reposition tape drum
	Centering guides not centered	Adjust centering guides
	Box flaps not of equal length	Check box specifications

---

## Spare Parts/Service Information

---

### Recommended Spare Parts

Listed are a set of spare parts that will periodically require replacement due to normal wear. These parts should be ordered to keep the taping heads in production:

#### AccuGlide™ 3 Upper Taping Head - 2 inch

Qty.	3M-Part Number	Description
4	78-8076-4500-3	Stud – Mounting
1	78-8137-3311-6	Spring – Upper Extension
1	78-8017-9173-8	Blade – 65mm/2.56 Inch
2	78-8052-6602-6	Spring – Cutter
1	78-8076-4726-4	Tool – Tape Threading

---

#### AccuGlide™ 3 Lower Taping Head - 2 inch

Qty.	3M-Part Number	Description
1	78-8017-9173-8	Blade – 65mm/2.56 Inch
2	78-8052-6602-6	Spring – Cutter
4	78-8076-4500-3	Stud – Mounting
1	78-8137-3312-4	Spring – Lower Extension
1	78-8076-4726-4	Tool – Tape Threading

---

In addition to the above set of spare parts supplied with the taping head, it is suggested that the following spare parts be maintained which will require replacement under normal wear of the taping head.

Qty.	3M-Part Number	Description
1	78-8057-6179-4	Roller – Applying
1	78-8057-6178-6	Roller – Buffing
1	78-8113-7030-9	Spring – Torsion

---

### Replacement Parts and Service

Refer to the first page of this instruction manual “**Replacement Parts and Service Information**”.

## Replacement Parts Illustrations and Parts Lists

AccuGlide™ 3 High Speed 2 Inch Upper Taping Head, Type 10800

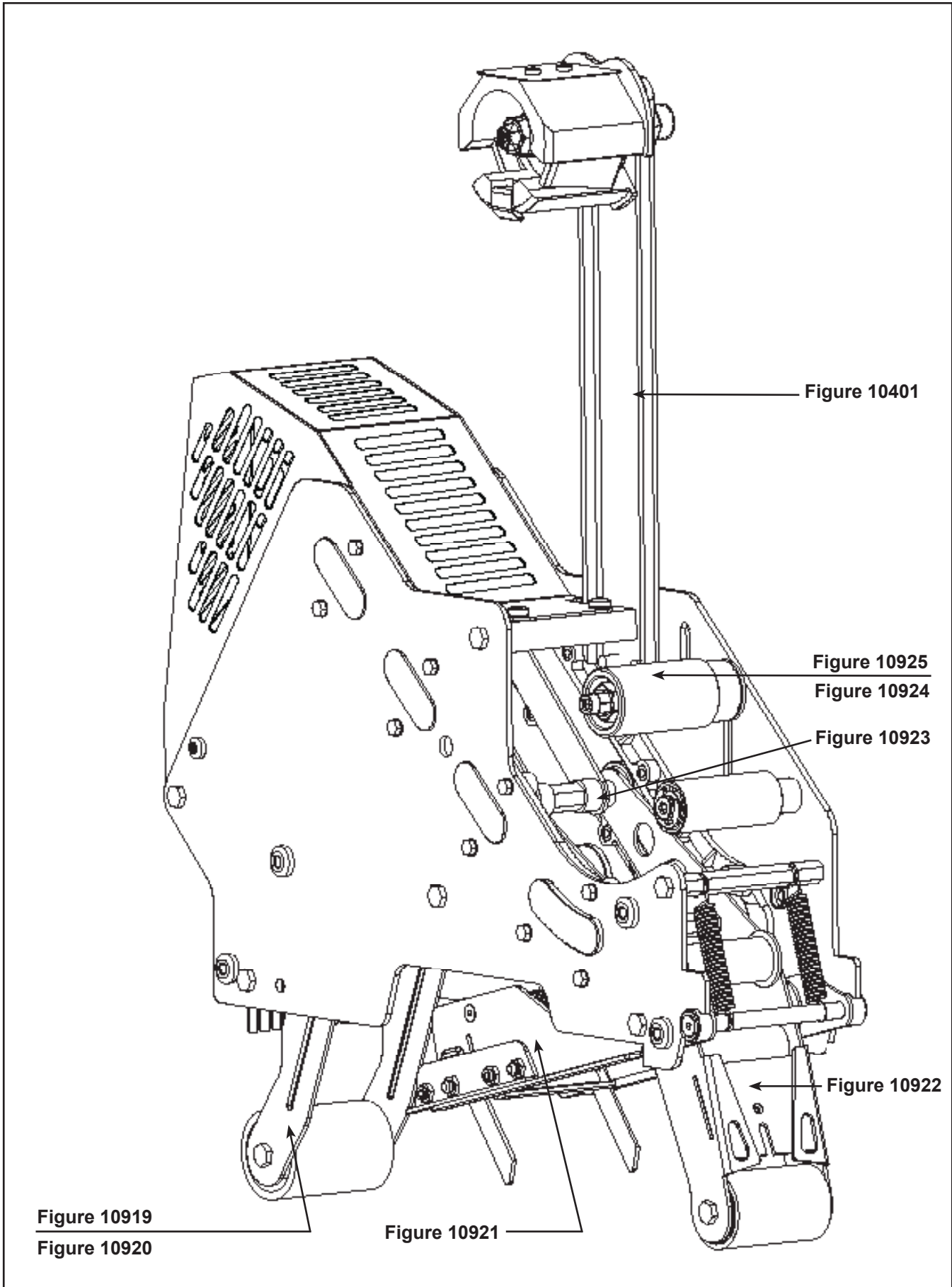
AccuGlide™ 3 High Speed 2 Inch Lower Taping Head, Type 10800

1. Refer to the Taping Head Assemblies Figure to find all the parts illustrations identified by figure numbers.
2. Refer to the figure or figures to determine the individual parts required and the parts reference number.
3. The replacement parts list, that follows each illustration, includes the part number and part description for the parts in that illustration.

**Note** – The complete description has been included for standard fasteners and some commercially available components. This has been done to allow obtaining these standard parts locally, should the customer elect to do so.

4. Refer to the first page of this instruction manual "Replacement Parts and Service Information" for replacement parts ordering information.

**Important** – Not all the parts listed are normally stocked items. Some parts or assemblies shown are available only on a special order basis. Contact 3M/Tape Dispenser Parts to confirm item availability.



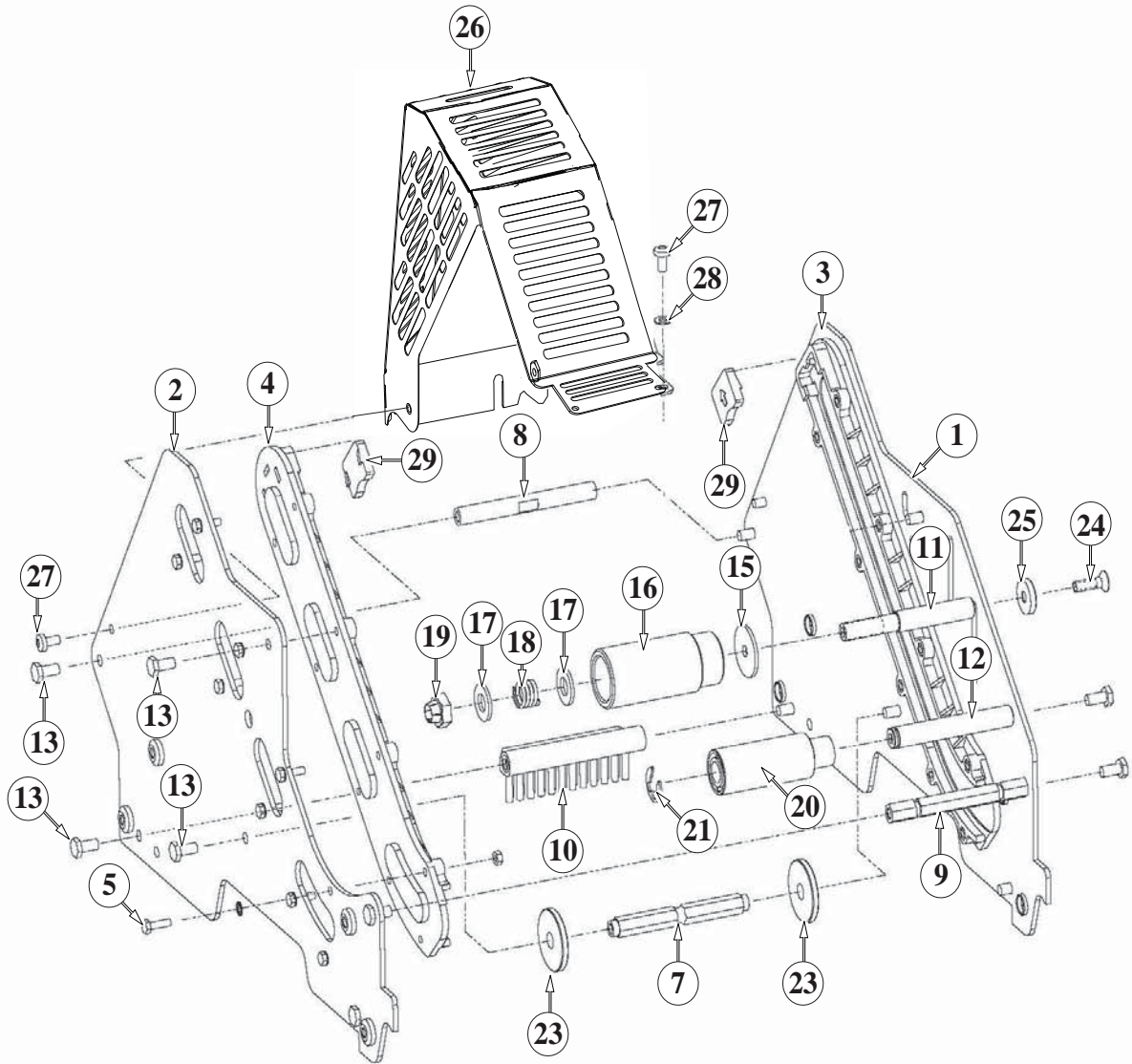


Figure 10925 – Upper Head

## AccuGlide™ 3 - 2"

Figure 10925 – 2" Upper Head

Ref. No.	3M Part No.	Description
10925-1	78-8137-3294-4	Frame – Tape Mount Upper Assembly
10925-2	78-8137-3295-1	Frame – Front Upper Assembly
10925-3	78-8068-4143-9	Guide – #1
10925-4	78-8068-4144-7	Guide – #2
10925-5	78-8060-7818-0	Screw – Hex Hd, M4 x 12
10925-6	78-8010-7416-8	Nut – Hex Jam, M4
10925-7	78-8070-1251-9	Spacer – Spring
10925-8	78-8137-3298-5	Shaft - Pivot 90mm
10925-9	78-8052-6560-6	Spacer – Front
10925-10	78-8060-7936-0	Brush Assembly
10925-11	78-8052-6564-8	Shaft – Tension Roller
10925-12	78-8052-6568-9	Shaft – Wrap Roller
10925-13	26-1003-5829-5	Screw – Hex Hd, M6 x 12
10925-15	78-8100-1009-6	Washer – Special
10925-16	78-8052-6565-5	Roller – Top Tension
10925-17	26-1004-5510-9	Washer – Plain, M10
10925-18	78-8052-6567-1	Spring – Compression
10925-19	78-8017-9077-1	Nut – Self Locking, M10 x 1
10925-20	78-8052-6569-7	Roller – Wrap
10925-21	26-1000-1613-3	Ring – Retaining, Tru-Arc #1-420-0120-100
10925-22	78-8076-4500-3	Stud – Mounting (not shown)
10925-23	78-8076-5242-1	Stop – Cut-Off Frame
10925-24	78-8060-8179-6	Screw – Flat Hd Hex, M6 x 20
10925-25	78-8076-5477-3	Washer – Special /6.5 x 20 x 4
10925-26	78-8137-3299-3	Guard – Head
10925-27	78-8060-8087-1	Screw – M5 x 10
10925-28	78-8005-5741-1	Washer – Flat, M5
10925-29	78-8133-9615-3	Bumper
10925-30	78-8133-9605-4	Label – Threading, English Language
10925-31	78-8076-4716-5	Star Washer 4mm

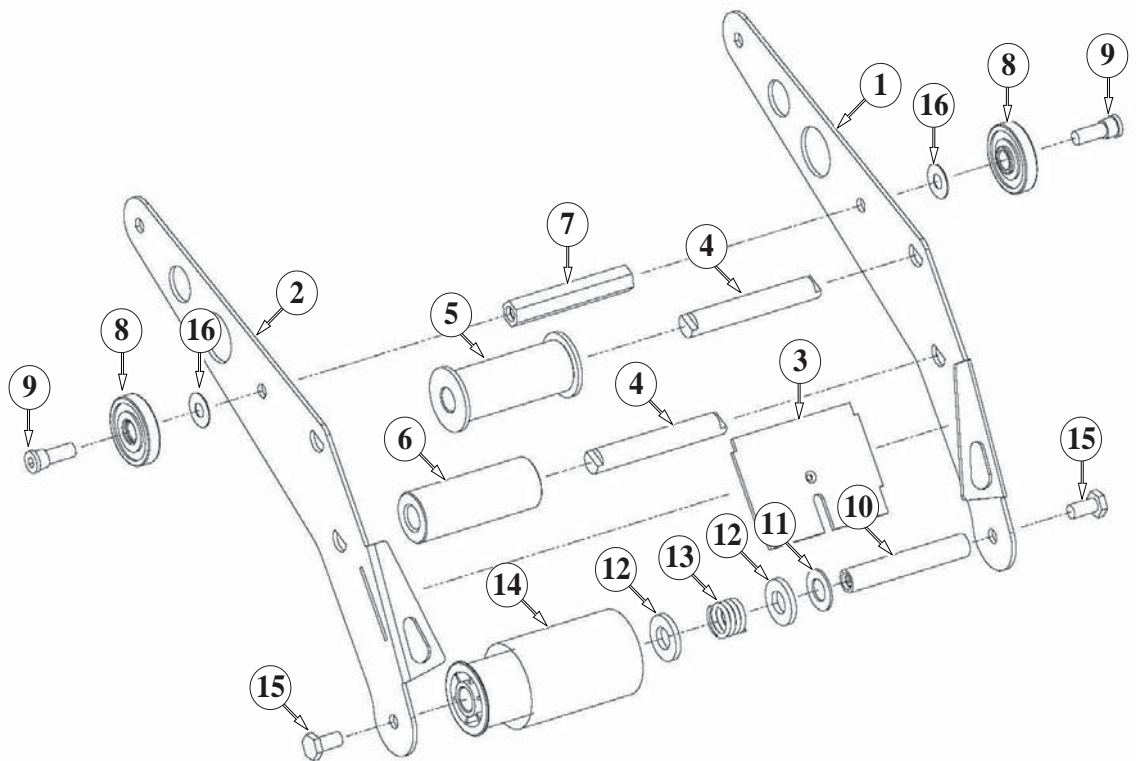


Figure 10922 – Upper and Lower Heads



**AccuGlide™ 3 - 2"**

**Figure 10922 – 2" Upper and Lower Heads**

<b>Ref. No.</b>	<b>3M Part No.</b>	<b>Description</b>
10922-1	78-8133-9509-8	Applying Arm #1
10922-2	78-8133-9510-6	Applying Arm #2
10922-3	78-8070-1221-2	Plate – Tape
10922-4	78-8070-1309-5	Shaft Roller
10922-5	78-8070-1367-3	Roller – Knurled Assembly
10922-6	78-8070-1266-7	Roller – Wrap
10922-7	78-8052-6580-4	Spacer
10922-8	78-8017-9082-1	Bearing – Special, 30 mm
10922-9	78-8017-9106-8	Screw – Bearing Shoulder
10922-10	78-8052-6575-4	Shaft – Roller
10922-11	78-8017-9074-8	Washer – Nylon, 15 mm
10922-12	26-1004-5510-9	Washer – Friction
10922-13	78-8052-6567-1	Spring – Compression
10922-14	78-8137-1438-9	Assembly– Applying Roller
10922-15	26-1003-5829-5	Screw – Hex Hd, M6 x 12
10922-16	78-8094-6151-6	Washer - Flat, 6.5 ID x 15 OD x 0.5 Thk

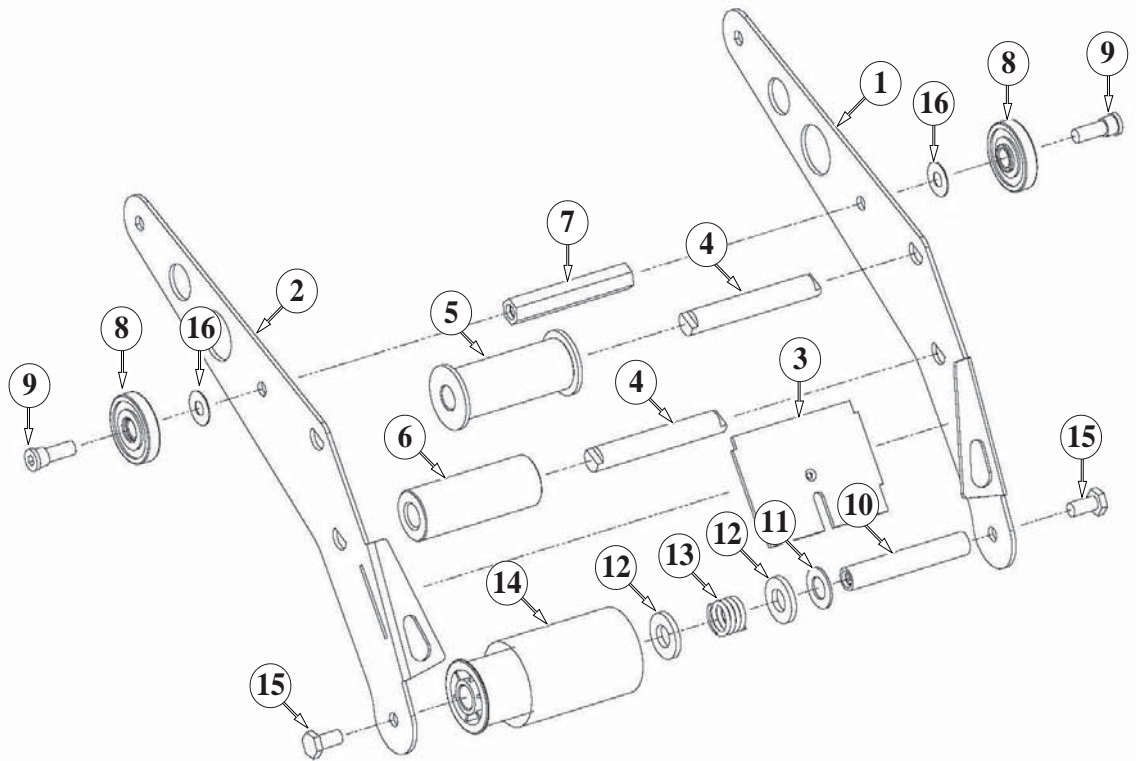


Figure 10919 – Upper Head

## AccuGlide™ 3 - 2"

Figure 10919 – 2" Upper Head

Ref. No.	3M Part No.	Description
10919-1	78-8137-3300-9	Buffing Arm – Sub Assembly
10919-2	78-8137-3301-7	Buffing Arm – Sub Assembly
10919-3	78-8052-6575-4	Shaft – Roller
10919-4	78-8137-1398-5	Roller - Buffing Assembly
10919-5	78-8070-1220-4	Spacer – Spring
10919-6	78-8052-6580-4	Spacer
10919-7	26-1003-5829-5	Screw – Hex Hd, M6 x 12
10919-8	78-8137-3311-6	Spring – Upper (100 fpm)
10919-9	78-8070-1244-4	Holder – Spring

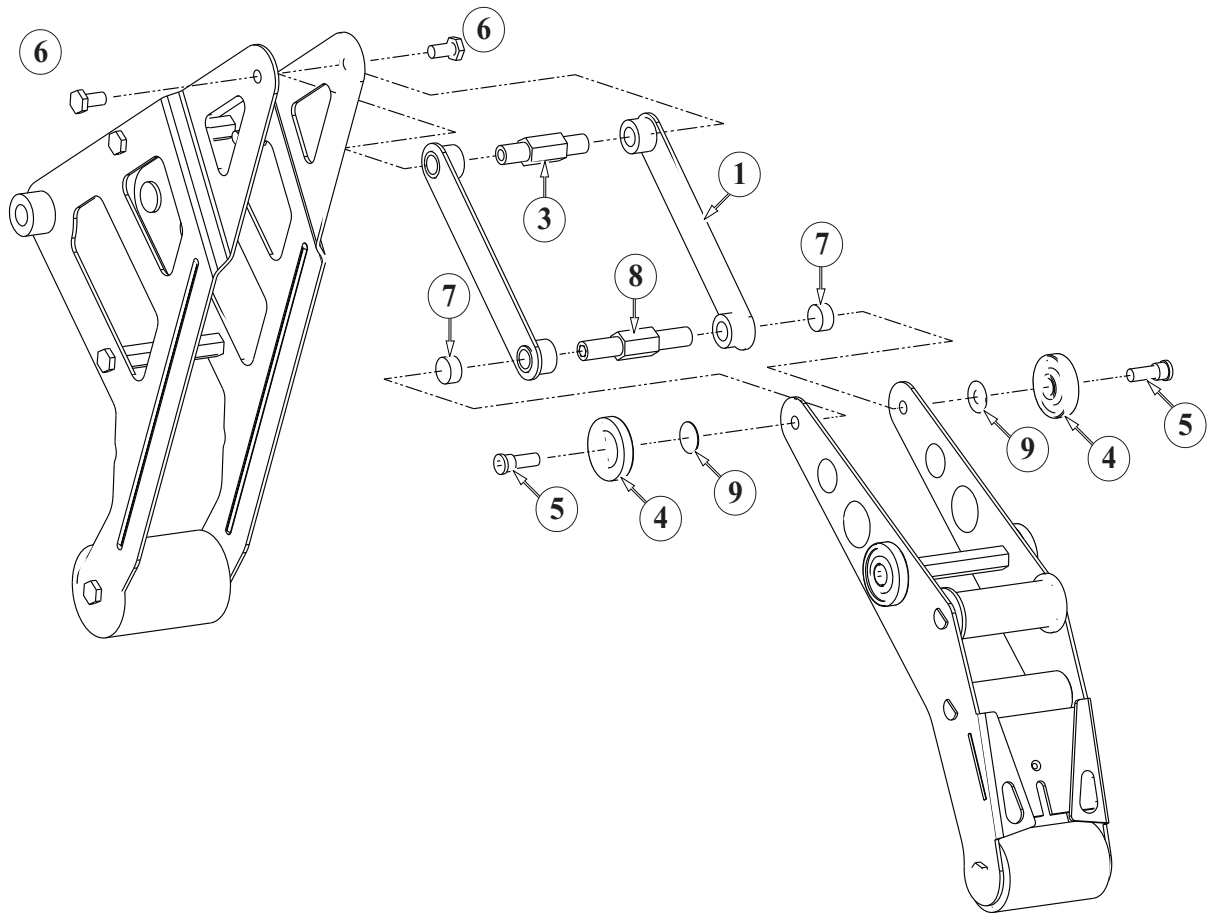


Figure 10923 – Upper and Lower Heads

## AccuGlide™ 3 - 2"

Figure 10923 – 2" Upper and Lower Heads

Ref. No.	3M Part No.	Description
10923-1	78-8137-3302-5	Link – Assembly
10923-3	78-8137-3304-1	Shaft – Pivot, Buffing
10923-4	78-8017-9082-1	Bearing – Special 30 mm
10923-5	78-8017-9106-8	Screw – Bearing Shoulder
10923-6	26-1003-5829-5	Screw – Hex Hd, M6 x 12
10923-7	78-8137-3305-8	Spacer – Applying Pivot
10923-8	78-8137-3306-6	Shaft – Pivot, Applying
10923-9	78-8094-6151-6	Washer - Flat, 6.5 ID x 15 OD x 0.5 Thk

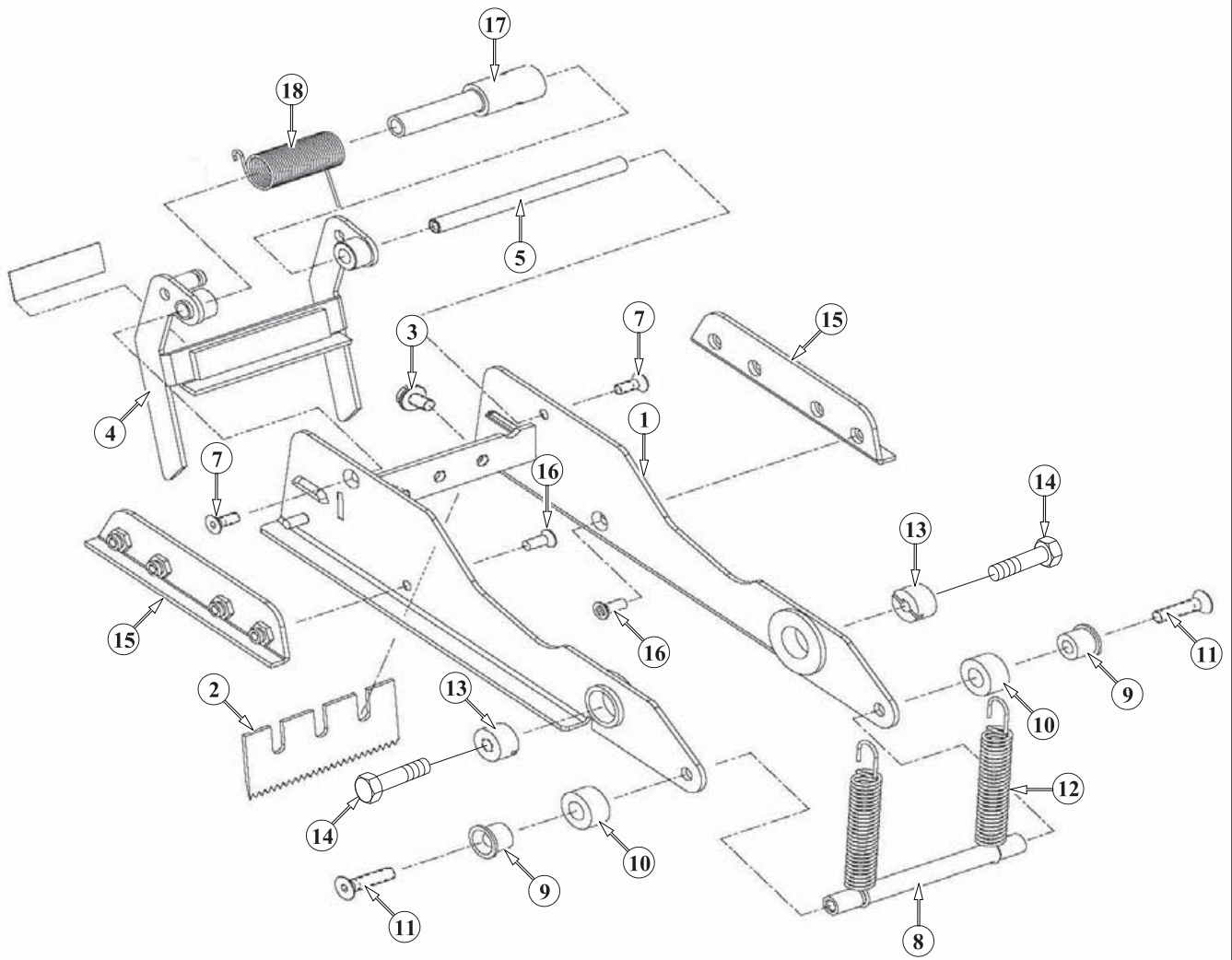


Figure 10921 – Upper and Lower Heads

## AccuGlide™ 3 - 2"

Figure 10921 – 2" Upper and Lower Heads

Ref. No.	3M Part No.	Description
10921-1	78-8137-3307-4	Frame – Cut-Off Weldment
10921-2	78-8017-9173-8	Blade – 65 mm/2.56 Inch
10921-3	26-1003-8596-7	Screw - Hex Hd M5 x 8 w/ Ext. Tooth Lockwasher
10921-4	78-8070-1371-5	Blade Guard Assembly – W/English Language Label
10921-5	78-8052-6597-8	Shaft – Blade Guard
10921-7	26-1005-4758-2	Screw – Flat Hd, Soc Dr, M4 x 10
10921-8	78-8017-9135-7	Shaft – Spacer
10921-9	78-8052-6600-0	Spacer
10921-10	78-8070-1269-1	Bumper
10921-11	26-1005-4757-4	Screw – Flat Hd, Soc Dr, M5 x 20
10921-12	78-8052-6602-6	Spring – Cutter
10921-13	78-8017-9132-4	Pivot – Cutter Lever
10921-14	26-1003-5828-7	Screw – Spec, Hex Hd, M6 x 10
10921-15	78-8137-3308-2	Slide – Extension
10921-16	26-1008-6574-5	Screw – Flat Hd, Phil Dr, M4 x 10
10921-17	78-8113-7031-7	Bushing – 58.5mm Long
10921-18	78-8113-7030-9	Spring – Torsion
10921-19	78-8070-1335-0	Label – Warning, English

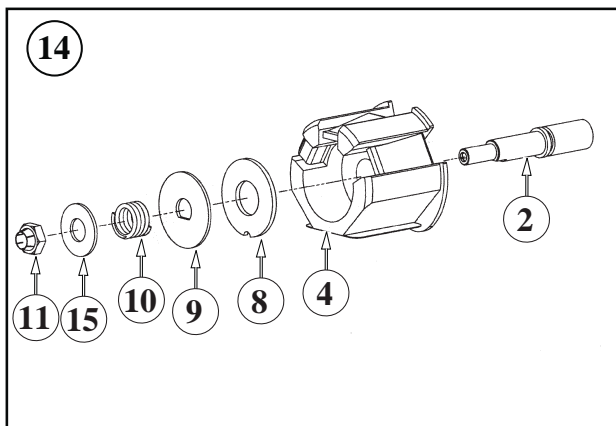
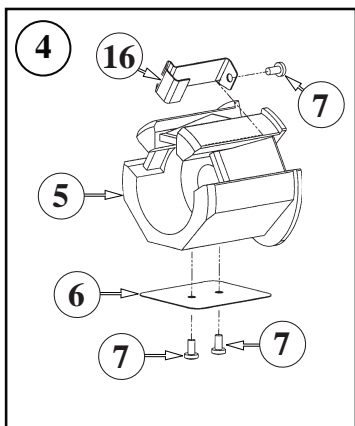
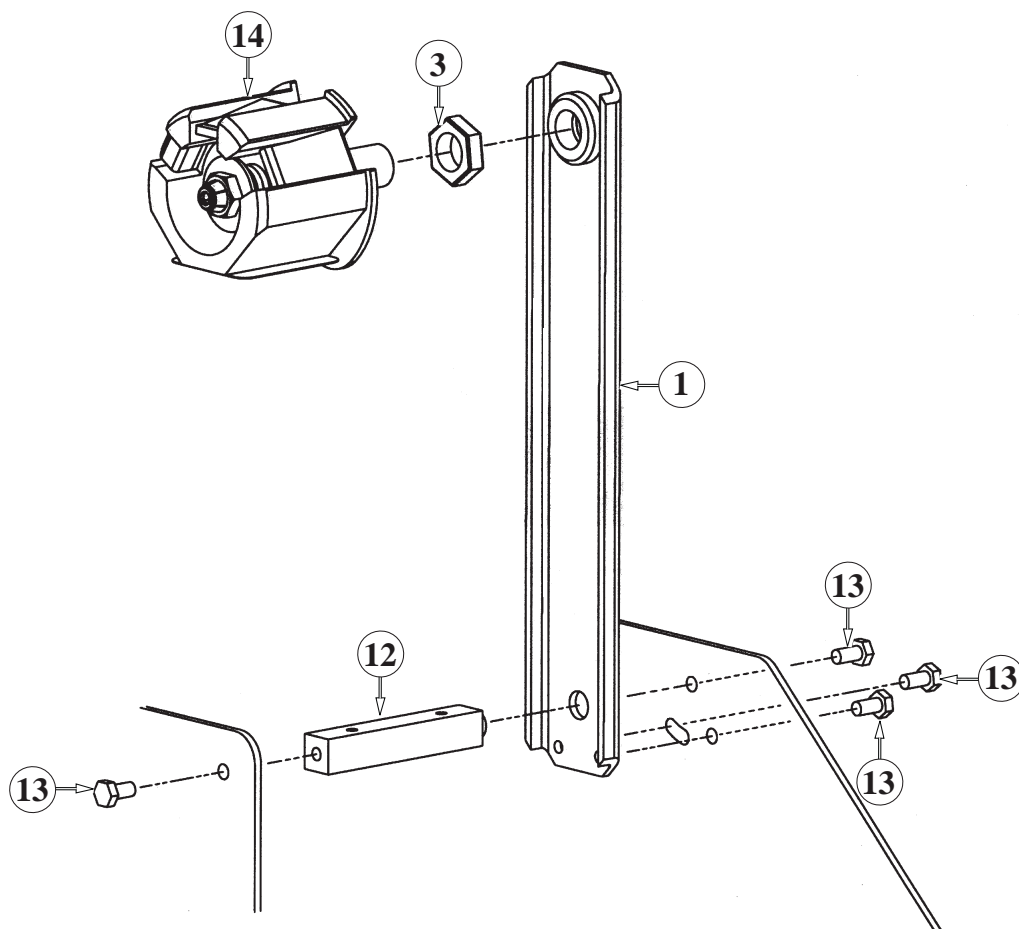


Figure 10401 – Upper and Lower Heads



## AccuGlide™ 3 - 2"

Figure 10401 – 2" Latch Upper and Lower Heads

Ref. No.	3M Part No.	Description
10401-1	78-8070-1395-4	Bracket – Bushing Assembly
10401-2	78-8076-4519-3	Shaft – Tape Drum, 50mm
10401-3	78-8017-9169-6	Nut – M18 x 1
10401-4	78-8098-8827-0	Tape Drum Sub Assembly – 2 Inch Wide
10401-5	78-8098-8749-6	Tape Drum
10401-6	78-8098-8817-1	Leaf Spring
10401-7	26-1002-5753-9	Screw – Self Tapping
10401-8	78-8060-8172-1	Washer – Friction
10401-9	78-8052-6271-0	Washer – Tape Drum
10401-10	78-8100-1048-4	Spring – Core Holder
10401-11	78-8017-9077-1	Nut – Self Locking, M10 x 1
10401-12	78-8100-1046-8	Spacer – Bracket
10401-13	26-1003-5829-5	Screw – Hex Hd, M6 x 12
10401-14	78-8098-8814-8	Tape Drum Assembly – 2 Inch Head
10401-15	26-1004-5510-9	Washer – Plain, M10
10401-16	78-8098-8816-3	Latch – Tape Drum

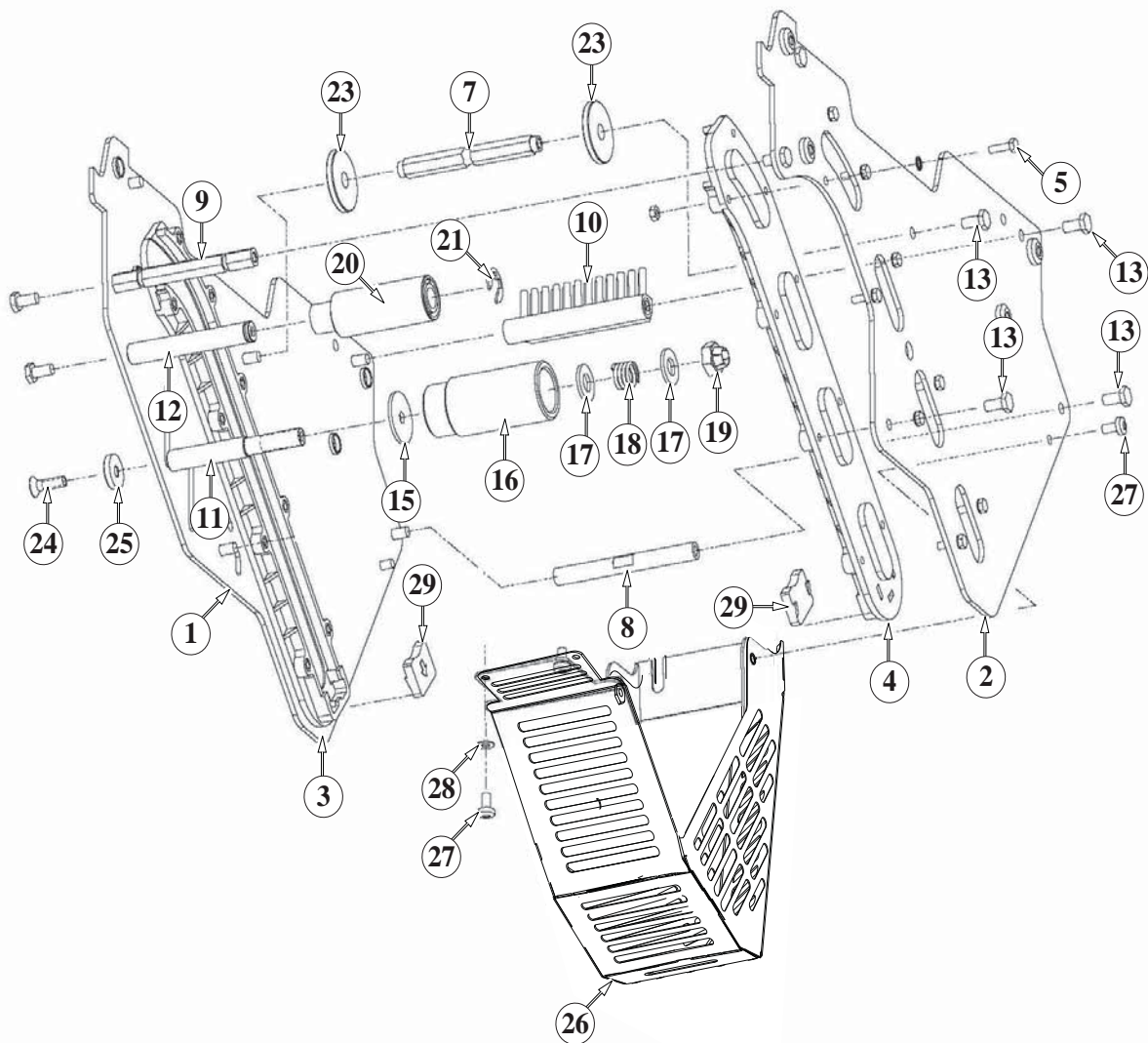


Figure 10924 – Lower Head

## AccuGlide™ 3 - 2"

**Figure 10924 – 2" Lower Head**

<b>Ref. No.</b>	<b>3M Part No.</b>	<b>Description</b>
10924-1	78-8137-3296-9	Frame – Tape Mount Lower Assembly
10924-2	78-8137-3297-7	Frame – Front Lower Assembly
10924-3	78-8068-4144-7	Guide – #2
10924-4	78-8068-4143-9	Guide – #1
10924-5	78-8060-7818-0	Screw – Hex Hd, M4 x 12
10924-6	78-8010-7416-8	Nut – Hex, M4
10924-7	78-8070-1251-9	Spacer – Spring
10924-8	78-8054-3298-5	Spacer – 10 x 10 x 90 mm
10924-9	78-8052-6560-6	Spacer – Front
10924-10	78-8060-7936-0	Brush Assembly
10924-11	78-8052-6564-8	Shaft – Tension Roller
10924-12	78-8052-6568-9	Shaft – Wrap Roller
10924-13	26-1003-5829-5	Screw – Hex Hd, M6 x 12
10924-15	78-8100-1009-6	Washer – Special
10924-16	78-8052-6606-7	Roller – Tension Bottom
10924-17	26-1004-5510-9	Washer – Plain, M10
10924-18	78-8052-6567-1	Spring – Compression
10924-19	78-8017-9077-1	Nut – Self Locking, M10 x 1
10924-20	78-8052-6569-7	Roller – Wrap
10924-21	26-1000-1613-3	Ring – Retaining, Tru-Arc #1-420-0120-100
10924-22	78-8076-4500-3	Stud – Mounting (not shown)
10924-23	78-8076-5242-1	Stop – Cut-Off Frame
10924-24	78-8060-8179-6	Screw – Flat Hd Hex, M6 x 20
10924-25	78-8076-5477-3	Washer – Special /6.5 x 20 x 4
10924-26	78-8137-3299-3	Guard – Head
10924-27	78-8060-8087-1	Screw – M5 x 10
10924-28	78-8005-5741-1	Washer – Flat, M5
10924-29	78-8076-4734-8	Bumper
10924-30	78-8133-9606-2	Label – Threading, English Language
10924-31	78-8076-4716-5	Star Washer 4mm

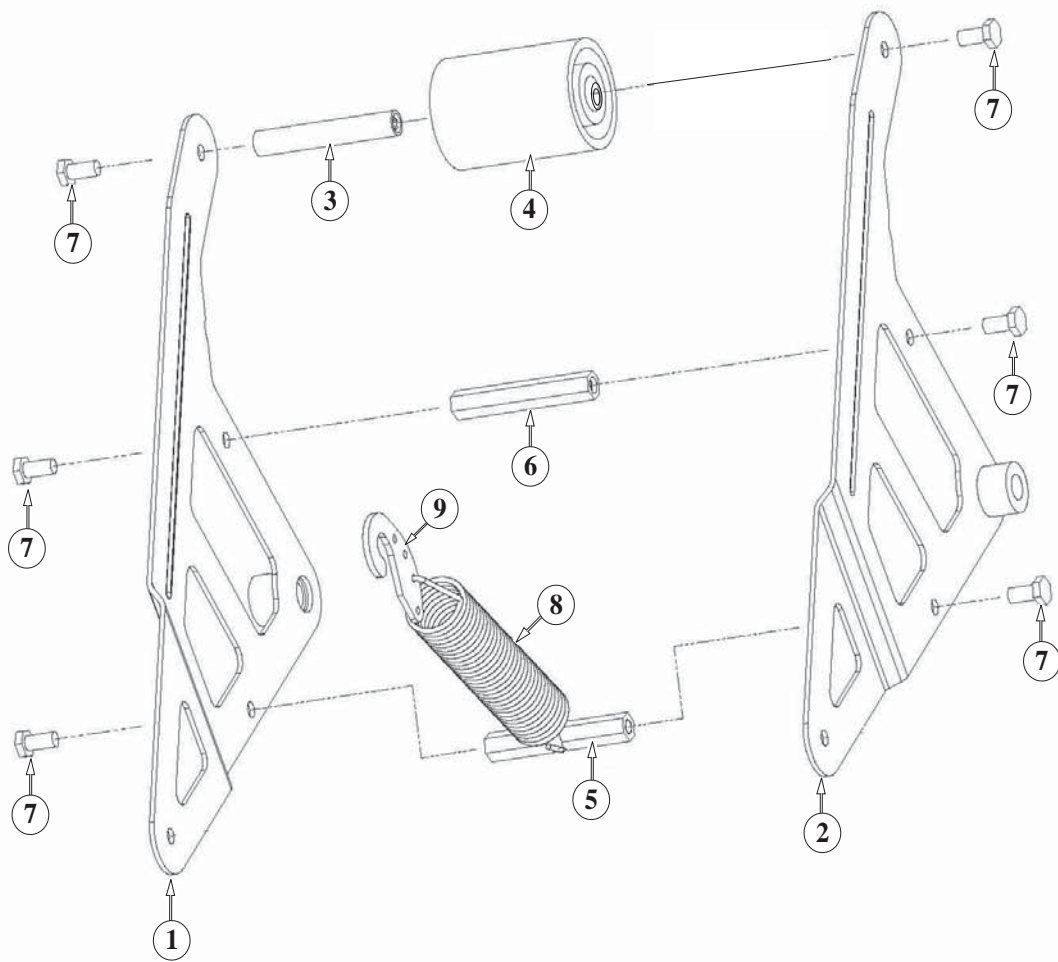


Figure 10920 – Lower Head

**AccuGlide™ 3 - 2"**

**Figure 10920– Lower Head**

<b>Ref. No.</b>	<b>3M Part No.</b>	<b>Description</b>
10920-1	78-8137-3300-9	Buffing Arm – Sub Assembly
10920-2	78-8137-3301-7	Buffing Arm – Sub Assembly
10920-3	78-8052-6575-4	Shaft – Roller
10920-4	78-8137-1398-5	Roller - Buffing Assembly
10920-5	78-8070-1220-4	Spacer – Spring
10920-6	78-8052-6580-4	Spacer
10920-7	26-1003-5829-5	Screw – Hex Hd, M6 x 12
10920-8	78-8137-3312-4	Spring – Lower (100 fpm)
10920-9	78-8070-1244-4	Holder – Spring

THIS PAGE IS BLANK



## Instructions and Parts List

**3M-Matic**<sup>TM</sup>

**AccuGlide**<sup>TM</sup> **3**

**Upper and  
Lower  
Taping Heads  
3 Inch**

**Type 10800**

Serial No. \_\_\_\_\_

For reference, record taping head(s) serial number(s) here.



**3M Industrial Adhesives and Tapes**

3M Center, Building 220-5E-06

St. Paul, MN 55144-1000



### Important Safety Information

BEFORE INSTALLING  
OR OPERATING THIS  
EQUIPMENT

Read, understand, and  
follow all safety and  
operating instructions.

### Spare Parts

It is recommended you  
immediately order the  
spare parts listed in the  
"Spare Parts/Service  
Information" section.

These parts are expected  
to wear through normal  
use, and should be kept  
on hand to minimize  
production delays.

AccuGlide<sup>TM</sup> is a Trademark of  
3M, St. Paul, MN 55144-1000  
Litho in U.S.A

© 3M 2013 44-0009-2071-8 (E040513-NA)





---

## Replacement Parts and Service Information

---

### To Our Customers:

This is the 3M-Matic™/AccuGlide™/Scotch® equipment you ordered. It has been set up and tested in the factory with Scotch® tapes. If technical assistance or replacement parts are needed, call or fax the appropriate number listed below.

Included with each machine is an Instructions and Parts List manual.

### Technical Assistance / Replacement Parts and Additional Manuals:

Call the 3M-Matic™ Help line at 1-800 328-1390. Provide the customer support coordinator with the model/machine name, machine type, and serial number that are located on the identification plate (For example: Model - Accuglide 3 - 3 inch - Type 10800 - Serial Number 13282).

United States -

3M Tape Dispenser Parts


241 Venture Drive

1-800-344-9883

Amery, WI 54001-1325

Fax: 1-715-268-8153

### Identification Plate

<b>3M</b> 3M Company St. Paul, MN 55144 USA	Part Number <input type="text"/>	<b>3M-Matic™</b> For Industrial use only		
Model <input type="text"/>	Serial Number <input type="text"/>	Year <input type="text"/>	Ampere <input type="text"/>	Watt <input type="text"/>
Type <input type="text"/>		Volt <input type="text"/>	Hertz <input type="text"/>	Phase <input type="text"/>

Minimum billing on parts orders will be \$25.00. Replacement part prices available on request.  
\$10.00 restocking charge per invoice on returned parts

Note : Outside the U.S., contact the local 3M subsidiary for parts ordering information.



3M Industrial Adhesives and Tapes

3M Center, Building 220-5E-06  
St. Paul, MN 55144-1000

3M-Matic™, AccuGlide™ and Scotch™  
are Trademarks of  
3M St. Paul, MN 55144-1000  
Printed in U.S.A.

THIS PAGE IS BLANK

## Replacement Parts And Service Information

---

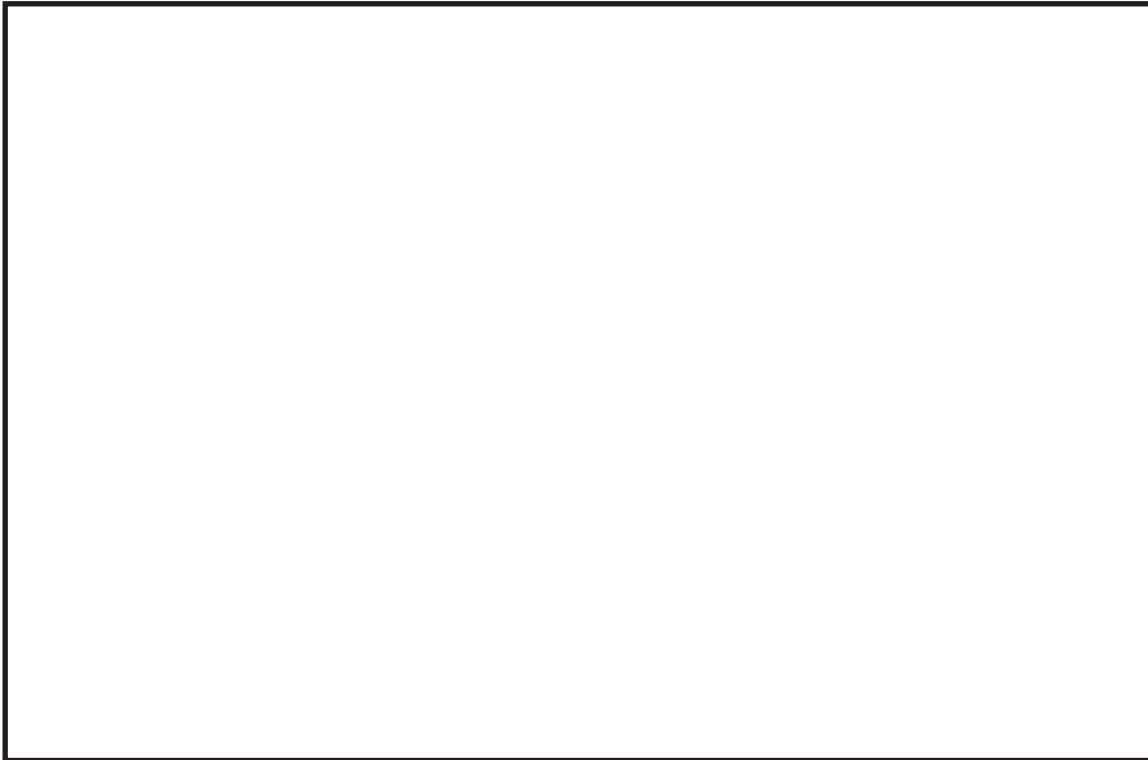
To Our Customers:

This is the 3M-Matic™/AccuGlide™/Scotch® equipment you ordered. It has been set up and tested in the factory with Scotch® tapes. If any problems occur when operating this equipment and you desire a service call or phone consultation, call, write, or fax the appropriate number listed below.

Included with each machine is an Instructions and Parts List manual.

### SERVICE, REPLACEMENT PARTS, AND ADDITIONAL MANUALS

#### AVAILABLE DIRECT FROM:



Order parts by part number, part description, and quantity required. Also, when ordering parts or additional manuals, include model/machine name, machine type, and serial number that are located on the identification plate.



**3M Industrial Adhesives and Tapes**  
3M Center, Building 220-5E-06  
St. Paul, MN 55144-1000

THIS PAGE IS BLANK

# Instruction Manual

## AccuGlide™ 3 Upper and Lower Taping Heads - 3 Inch Type 10800

<b>Table of Contents</b>	<b>Page</b>
Equipment Warranty and Limited Remedy .....	i - ii
Table of Contents.....	iii
Equipment Warranty and Limited Remedy .....	iv
Intended Use .....	1
Taping Head Contents / How to Use Manual.....	3
Important Safeguards.....	4 - 5
Specifications .....	6 - 7
Dimensional Drawing .....	7
Installation .....	8
Receiving and Handling .....	8
Installation Guidelines .....	8
Tape Leg Length .....	8
Tape Width Adjustment .....	8
Operation.....	9 - 11
Tape Loading – Upper Taping Head.....	10
Tape Loading – Lower Taping Head.....	10 - 11
Maintenance .....	12 - 13
Blade Replacement.....	12
Blade Guard .....	12
Blade Oiler Pad .....	12
Cleaning .....	13
Applying/Buffering Roller Replacement.....	13
Adjustments.....	14 - 16
Tape Latch Alignment.....	14
Tape Drum Friction Brake .....	14
Applying Mechanism Spring.....	15
One-Way Tension Roller .....	15
Tape Leg Length .....	16
Leading Tape Leg Length Adjustment .....	16
Changing Tape Leg Length From 70 to 50 mm [2-3/4 to 2 Inch] .....	16
Troubleshooting.....	17 - 18
Spare Parts/Service Information.....	19 - 20
Recommended Spare Parts.....	19
Replacement Parts and Service.....	20
Replacement Parts Illustrations and Parts List.....	21 - End of Manual

## Warranty

---

### Equipment Warranty and Limited Remedy:

**Equipment Warranty and Limited Remedy: THE FOLLOWING WARRANTY IS MADE IN LIEU OF ALL OTHER WARRANTIES, EXPRESS OR IMPLIED, INCLUDING, BUT NOT LIMITED TO, ANY IMPLIED WARRANTY OF MERCHANTABILITY OR FITNESS FOR A PARTICULAR PURPOSE AND ANY IMPLIED WARRANTY ARISING OUT OF A COURSE OF DEALING, CUSTOM OR USAGE OF TRADE:**

3M sells its **AccuGlide™ 3 Upper and Lower Taping Heads - 3 Inch, Type 10800** with the following warranty:

1. The Taping Head blade, springs and rollers will be free from defects in material and manufacture for ninety (90) days after delivery.
2. All other Taping Head parts will be free from defects in material and manufacture for three (3) years after delivery.

If any part is defective within this warranty period, your exclusive remedy and 3M's and seller's sole obligation shall be, at 3M's option, to repair or replace the part. 3M must receive actual notice of any alleged defect within a reasonable time after it is discovered, but in no event shall 3M have any obligation under this warranty unless it receives such notice within five (5) business days after the expiration of the warranty period. All notices required hereunder shall be given to 3M solely through the 3M-Matic™ Help line (800-328-1390). To be entitled to repair or replacement as provided under this warranty, the part must be returned as directed by 3M to its factory or other authorized service station designated by 3M. If 3M is unable to repair or replace the part within a reasonable time after receipt thereof, 3M, at its option, will replace the equipment or refund the purchase price. 3M shall have no obligation to provide or pay for the labor required to remove any part or equipment or to install the repaired or replacement part or equipment. 3M shall have no obligation to repair or replace those parts failing due to normal wear, inadequate or improper maintenance, inadequate cleaning, non-lubrication, improper operating environment, improper utilities, operator error or misuse, alteration or modification, mishandling, lack of reasonable care, or due to any accidental cause.

**Limitation of Liability:** Except where prohibited by law, 3M and seller will not be liable for any loss or damage arising from this 3M equipment, whether direct, indirect, special, incidental, or consequential, regardless of the legal theory asserted, including breach of warranty, breach of contract, negligence, or strict liability.

**Note:** The foregoing Equipment Warranty and Limited Remedy and Limitation of Liability may be changed only by a written agreement signed by authorized representatives of 3M and seller.

---

### Taping Head Contents

---

**AccuGlide™ 3 Upper and Lower Taping Heads - 3 Inch - consists of:**

Qty. Part	Name
1	Taping Head Assembly
1	Tape Drum and Bracket Assembly
1	Hardware and Spare Parts Kit
1	Threading Tool

---

**AccuGlide™, Scotch™, and 3M-Matic™** are Trademarks of 3M, St. Paul, Minnesota 55144-1000

---

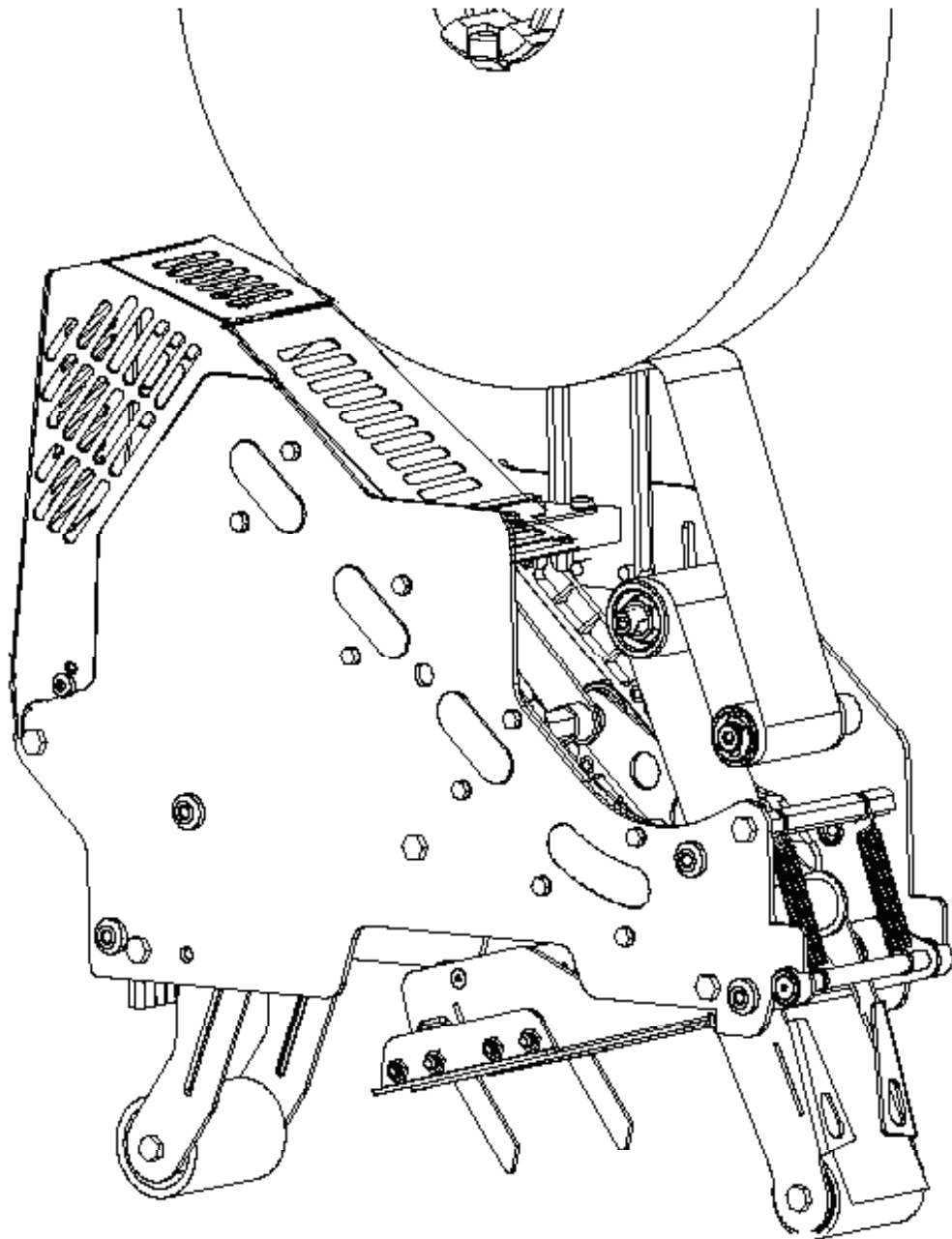
## Intended Use

---

The intended use of the AccuGlide™ 3 Upper and Lower Taping Heads - **3 Inch**- is to apply a "C" clip of Scotch® pressure-sensitive film box sealing tape to the top and/or bottom center seam of regular slotted containers.

These taping heads are incorporated into most standard **3M-Matic™** case sealers. The compact

size and simplicity of the taping head also makes it suitable for mounting in box conveying systems other than **3M-Matic™** case sealers. This includes replacement of other types of taping, gluing or stapling heads in existing case sealing machines. The AccuGlide™ 3 Taping Heads have been designed and tested for use with Scotch® pressure-sensitive film box sealing tape.



**AccuGlide™ 3 Upper Taping Head - 3 Inch, Type 10800**

THIS PAGE IS BLANK



---

## Taping Head Contents

---

### AccuGlide™ 3 Upper and Lower Taping Heads - 3 Inch - consists of:

Qty.	Part Name
1	Taping Head Assembly
1	Tape Drum and Bracket Assembly
1	Hardware and Spare Parts Kit
1	Threading Tool

---

## General Information

---

This instruction manual covers safety aspects, handling and transport, storage, unpacking, preparation, installation, operation, set-up and adjustments, technical and manufacturing specifications, maintenance, troubleshooting, repair work and servicing, electric diagrams, warranty information, disposal (ELV), a glossary with a definition of symbols, plus a parts list 3M Industrial Adhesives and Tapes Division 3M Center, Bldg. 220-5E-06 St. Paul, MN 55144-1000 (USA) Edition April 2013/Copyright 3M 2013. All rights reserved The manufacturer reserves the right to change the product at any time without notice Publication © 3M 2013.

---

## How to use this Manual

---

The manual is an important part of the machine; all information contained herein is intended to enable the equipment to be maintained in perfect condition and operated safely. Ensure that the manual is available to all operators of this equipment and the manual is kept up to date with all subsequent amendments. Should the equipment be sold or disposed of, please ensure that the manual is passed on with the machine.

Electrical and pneumatic diagrams are included in the manual. Equipment using PLC controls and/or electronic components will include relevant schematics or programs in the enclosure (or will be delivered separately as needed)

Keep the manual in a clean and dry place near the machine. Do not remove, tear or rewrite parts of the manual for any reason. Use the manual without damaging it. However, if the manual has been lost or damaged, ask your after sale service for a new copy (if it is possible, please have the manual name, part number, and revision information and/or model/machine name, machine type, and serial number) that are located on the identification plate (For example: **Model - Accuglide 3 - 3" - Type 10800 - Serial Number 13282**).

### **Note:**

All the important warning notes related to the operation of the machine are identified by the symbol:



## Updating the Manual

Modifications to the machine are subject to manufacturer's internal procedures. The user may receive pages or parts of the manual which contain amendment made after its first publication. The user must use them to update this manual.

## Important Safeguards



This safety alert symbol identifies important safety messages in this manual.

**READ AND UNDERSTAND THEM BEFORE INSTALLING OR OPERATING THIS EQUIPMENT.**

### Explanation of Signal Word Consequences



**WARNING:** Indicates a potentially hazardous situation, which, if not avoided, could result in death or serious injury and/or property damage.



**CAUTION:** Indicates a potentially hazardous situation, which, if not avoided, may result in minor or moderate injury and/or property damage.



### WARNING

- **To reduce the risk associated with mechanical hazards:**
  - Read, understand and follow all safety and operating instructions before operating or servicing the case sealer
  - Allow only properly trained and qualified personnel to operate and/or service this equipment
- **To reduce the risk associated with shear, pinch, and entanglement hazards:**
  - Turn air and electrical supplies off on associated equipment before performing any adjustments, maintenance, or servicing the taping heads
  - Never attempt to work on the taping head or load tape while the box drive system is running
- **To reduce the risk associated with sharp blade hazards:**
  - Keep hands and fingers away from tape cutoff blades under orange blade guards. The blades are extremely sharp

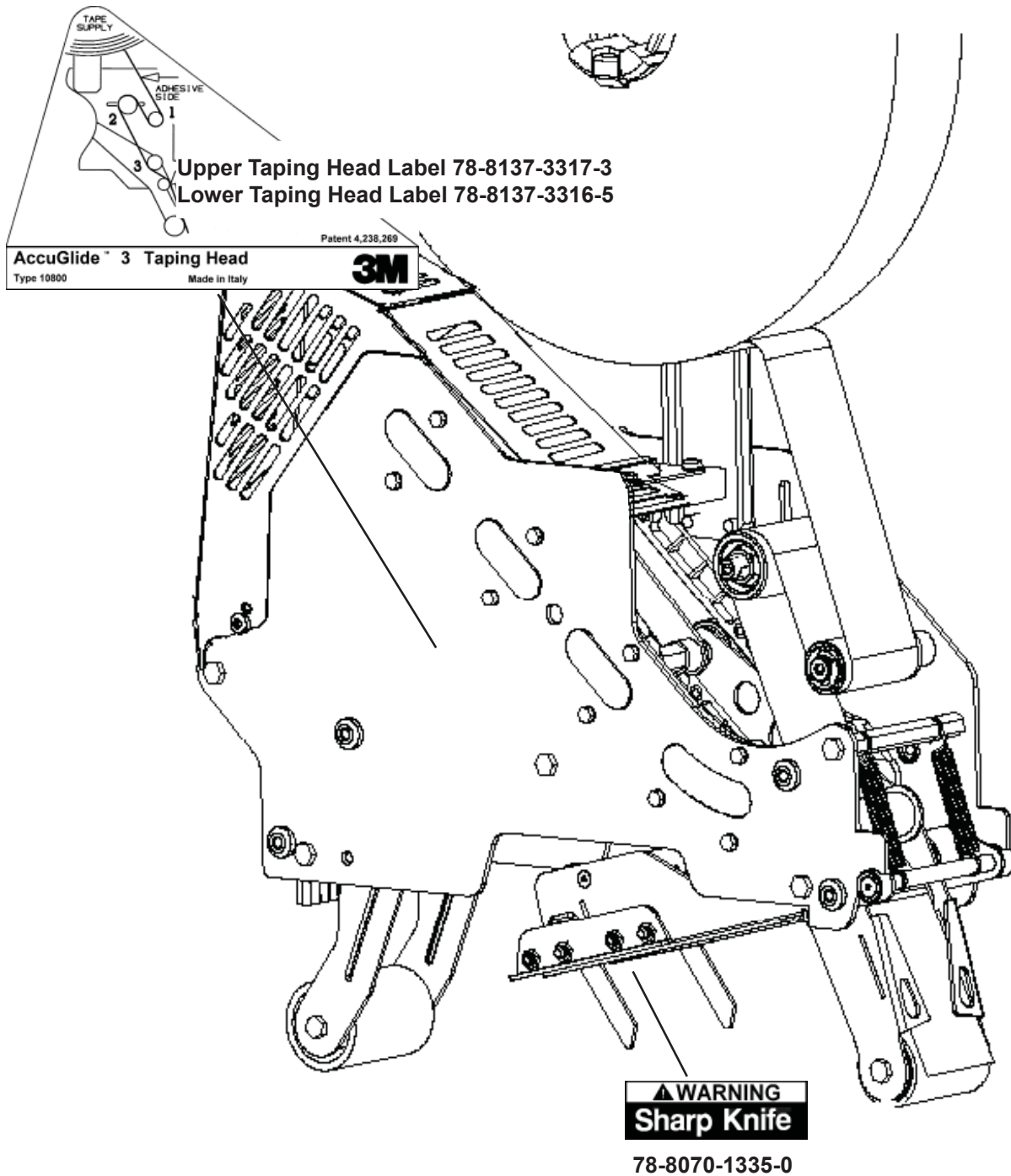


### CAUTION

- **To reduce the risk associated with muscle strain:**
  - Use proper body mechanics when removing or installing taping heads that are moderately heavy or may be considered awkward to lift
- **To reduce the risk associated with impact hazards:**
  - Place the taping head on a smooth level surface when maintaining or servicing this equipment

**Important Safeguards** (continued)

**Important** – In the event the following safety labels are damaged or destroyed, they must be replaced to ensure operator safety. See "Replacement Parts Illustrations and Parts Lists" for label part numbers.



**Figure 1-1 Replacement Labels/3M Part Numbers**

---

## Specifications

---

1. **Tape:**

For use with **Scotch®** pressure-sensitive film box sealing tapes.

2. **Tape Width:**

48mm [2 inches] minimum to 72mm [3 inches] maximum.

3. **Tape Roll Diameter:**

Up to 405mm [16 inches] maximum on a 76.2mm [3 inch] diameter core.  
(Accommodates all system roll lengths of **Scotch®** film tapes.)

4. **Tape Application Leg Length - Standard:**

70mm ± 6mm [2-3/4 inches ± 1/4 inch]

**Tape Application Leg Length - Optional:**

50mm ± 6mm [2 inches ± 1/4 inch] (See "Adjustments – Tape Leg Length.")

5. **Box Size Capacities:**

For use with center seam regular slotted containers.

	Minimum	Maximum
Length –	150mm [6 inches]	Unlimited
Height –	120mm [4-3/4 inches] (most “3M-Matic” Case Sealers) 90mm [3-1/2 inches] (with optional 2 inch leg length)	Limited by Case Sealer
Width –	150mm [6 inches]	

When upper and lower taping heads are used on “**3M-Matic**” case sealers, refer to the respective instruction manual specifications for box weight and size capacities.

6. **Operating Rate:**

Conveyor speeds up to 0.5 m/s [100 feet per minute].

7. **Operating Conditions:**

Use in dry, relatively clean environments at 5° to 40° C [40° to 105° F] with clean dry boxes.

**Important –** Taping heads should not be washed down or subjected to conditions causing moisture condensation on components.

8. **Taping Head Dimensions:**

Length	–	442mm [17 3/8 inches]
Height	–	648mm [25 1/2 inches] (with tape drum)
Width	–	130mm [5-1/8 inches] (without mounting spacers)
Weight	–	Packaged: 8.2 kg [18 lbs.] Unpackaged: 7.3 kg [16 lbs.]

Specifications (continued)

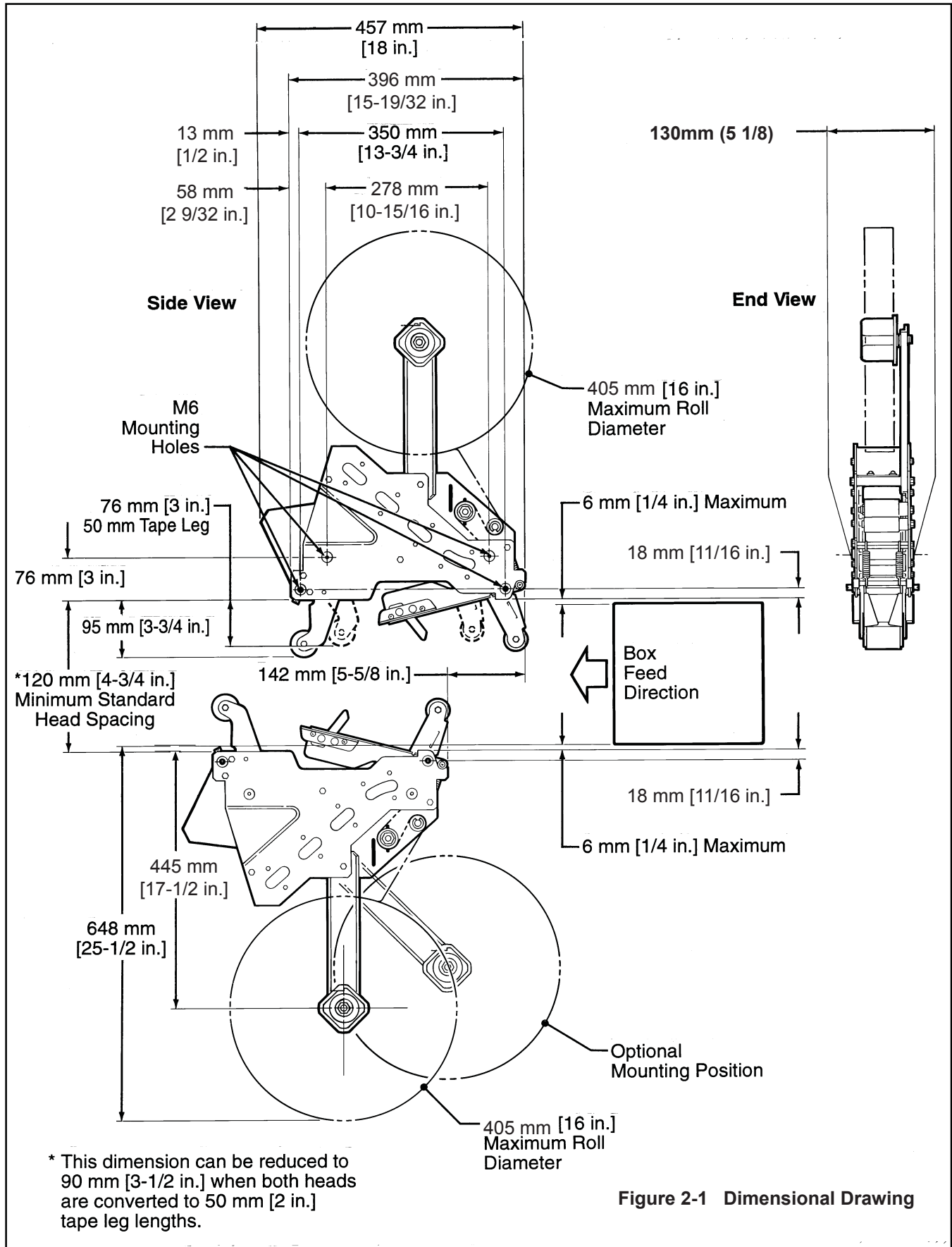


Figure 2-1 Dimensional Drawing

---

## Installation

---



### WARNING

- **To reduce the risk associated with sharp blade hazards:**
  - Keep hands and fingers away from tape cutoff blades under orange blade guards. The blades are extremely sharp

### Receiving And Handling

After the taping head assembly has been unpackaged, examine the unit for damage that might have occurred during transit. If damage is evident, file a damage claim immediately with the transportation company and also notify your 3M Representative.

### Installation Guidelines

The taping head assembly can be used in converting existing or in custom made machinery. It can be mounted for top taping or bottom taping. Refer to "Box Size Capacities," as well as **Figure 2-1** in the Specifications section, for the following points in making such installations:



### CAUTION

- **To reduce the risk associated with muscle strain:**
  - Use proper body mechanics when removing or installing taping heads that are moderately heavy or may be considered awkward to lift

**Important** – Always conduct a hazard review to determine appropriate guarding requirements when the installation is in an application other than 3M-Matic<sup>(TM)</sup> equipment

1. The box conveying system must positively propel the box in a continuous motion, not exceeding 0.50 m/s [100 feet per minute], past the taping head assembly since the box motion actuates the taping mechanism.
2. If a pusher or cleated conveyor is being used, steps should be taken in the conveyor design to prevent the pusher from contacting the applying or buffing roller arms resulting in damage to the taping head.

3. **Figure 2-1** illustrates the typical mounting relationship for opposing taping head assemblies to allow taping of box heights down to 90mm [3-1/2 inches]. To tape box heights down to 70mm [2-3/4 inches], the taping heads must be completely staggered so only one tape seal is being applied at one time.

**Note** – AccuGlide<sup>TM</sup> 3 Upper Taping Head is supplied with a buffing arm guard. Adjustments to this guard may be required to install the taping head into some older design 3M-Matic<sup>TM</sup> case sealers.

4. Mounting studs are provided with the taping head, but special installations may require alternate means for mounting.
5. Box hold-down or guide skis should be provided and the taping head mounted so that the side plates are 6mm [1/4 inch] maximum away from the ski surface on which the box rides.

### Tape Leg Length

Taping heads are factory set to apply standard 70mm [2-3/4 inch] tape legs. The heads can be converted to apply 50mm [2 inch] tape legs if desired but both upper and lower heads must be set to apply the same tape leg length. See "Adjustments – Changing Tape Leg Length From 70 to 50mm [2-3/4 to 2 Inches]."

Also, the conveyor speed at which the product moves through the taping heads, affects the leading and trailing tape leg length. See "Adjustments section – Leading Tape Leg Length Adjustment."

### Tape Width Adjustment

Taping heads are factory set to apply 72mm [3 inch] wide tape. If it is necessary to align the tape or to apply narrower tapes, refer to "Adjustments – Tape Web Alignment" for set-up procedure.

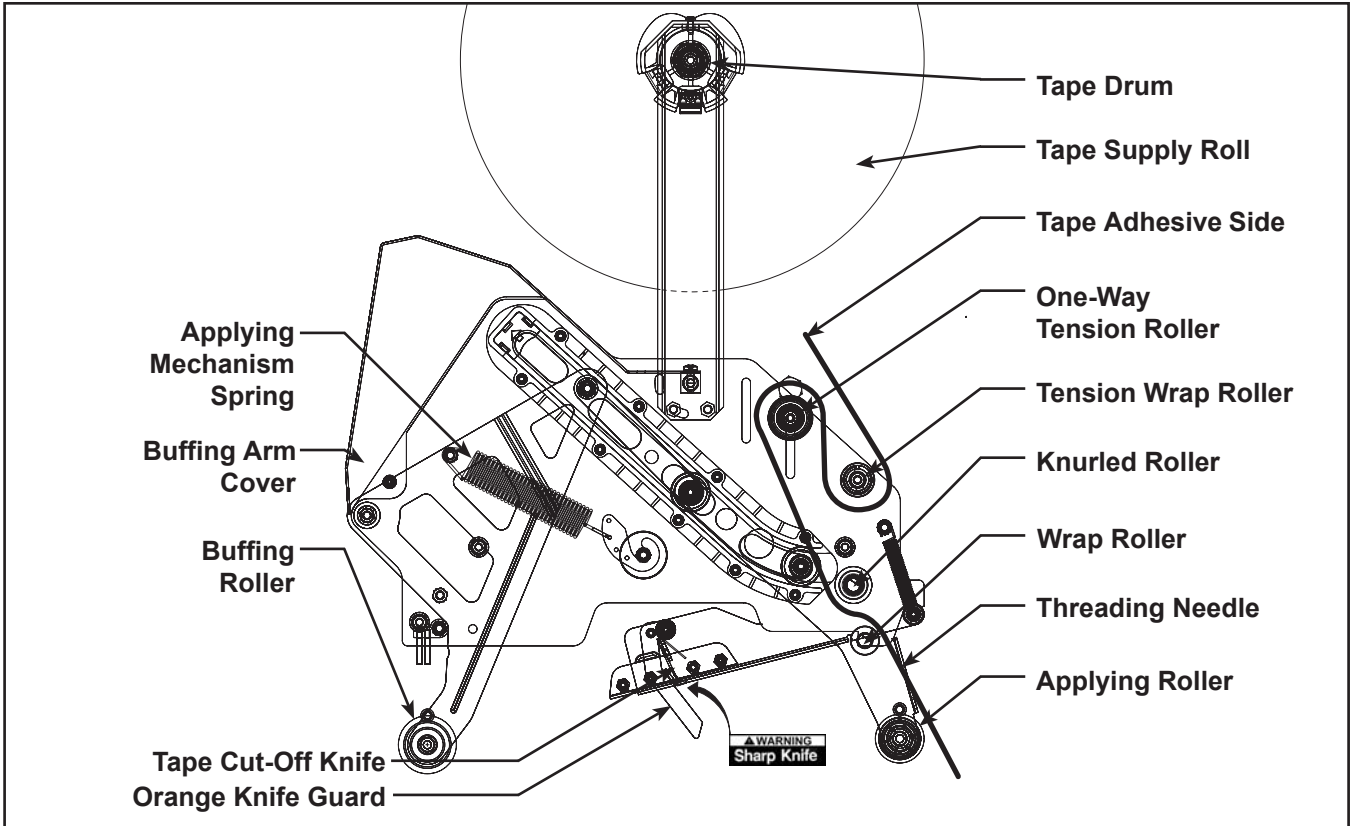


Figure 3-1 Taping Head Components/Threading Diagram - Upper Head (Left Side View)

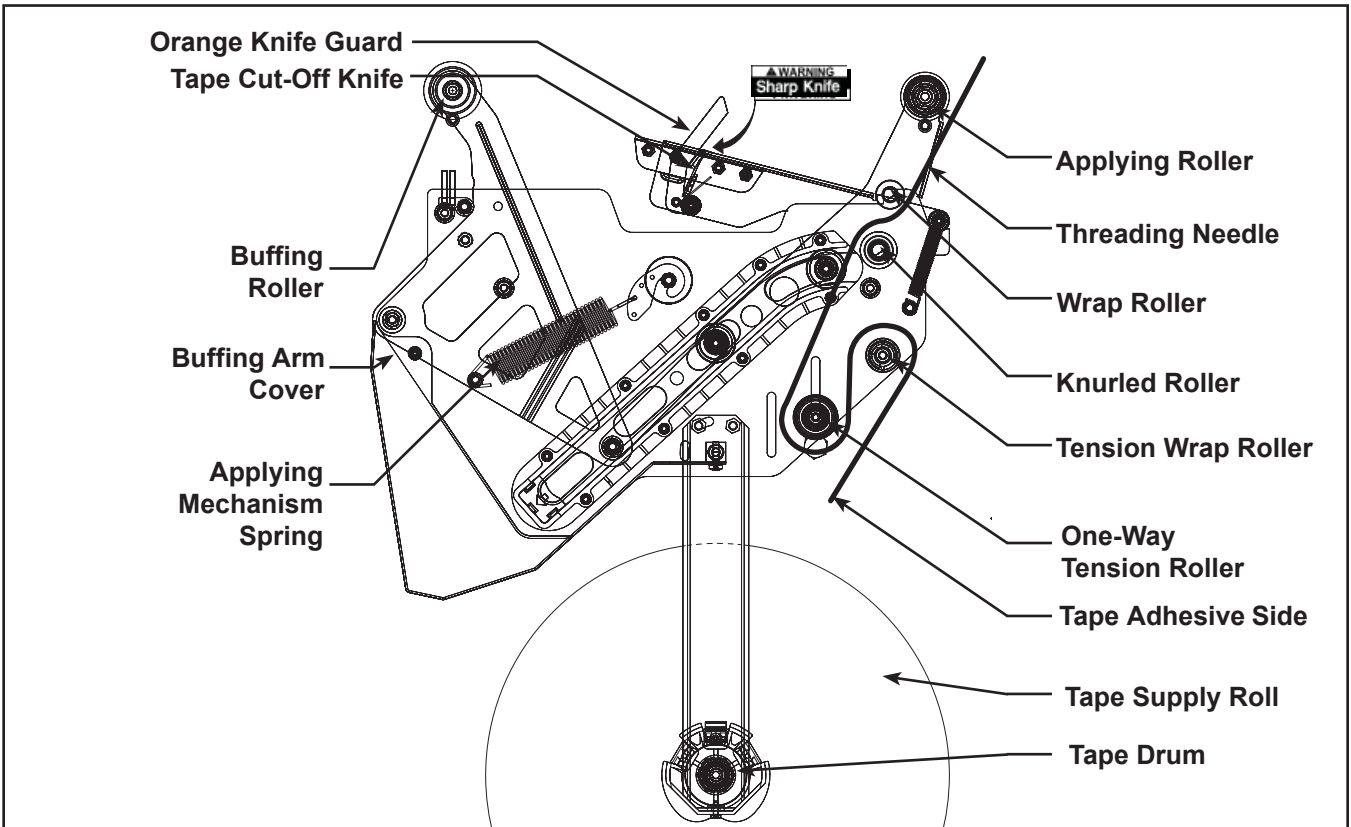


Figure 3-2 Taping Head Components/Threading Diagram - Lower Head (Left Side View)



## WARNING

- **To reduce the risk associated with shear, pinch, and entanglement hazards:**
  - Turn air and electrical supplies off on associated equipment before performing any adjustments, maintenance, or servicing the machine or taping heads
  - Never attempt to work on the taping heads or load tape when the box drive system is running
- **To reduce the risk associated with sharp blade hazards:**
  - Keep hands and fingers away from tape cutoff blades under orange blade guards. The blades are extremely sharp

It is recommended that the detailed instructions and sketches in this manual be referred to the first few times the taping head is loaded/threaded until the operator becomes thoroughly familiar with the tape loading operation.

**Note** – Remove tape roll before removing taping head from machine to minimize weight.



## CAUTION

- **To reduce the risk associated with muscle strain:**
  - Use proper body mechanics when removing or installing taping heads that are moderately heavy or may be considered awkward to lift
- **To reduce the risk associated with impact hazards:**
  - Place the taping head on a smooth level surface when maintaining or servicing this equipment

### Tape Loading – Upper Taping Head

1. Place the upper taping head in a convenient working position.
2. Refer to **Figures 3-3 to 3-5** and tape threading label. Position the tape supply roll so the adhesive side of tape is facing the front of the taping head as it is pulled from the supply roll.
3. Attach the threading needle to the end of the roll. Guide the threading needle around the wrap roller (Position 1) then back around the one-way tension roller (Position 2).
4. Continue pulling the threading needle down and guide it between the two rollers on the apply arm (Position 3).

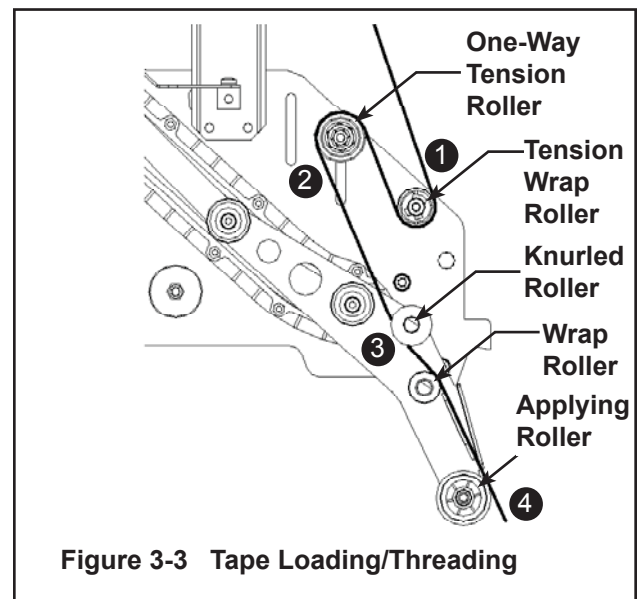
5. Pull the threading needle down until the tape travels between the apply plate and the ears of the apply arm (Position 4) until it extends past the applying roller. When properly threaded the adhesive side of the tape should be facing the knurled rollers at position 2 and also position 3.
6. Cut away any excess tape.

**Important** – Do not cut against the apply roller - roller damage could occur.

### Tape Loading – Lower Taping Head

1. Remove the lower taping head from the conveyor bed or associated equipment and place it a convenient working position.
2. The lower taping head is loaded and threaded in the same manner as the upper head. Follow the upper taping head tape loading/threading procedure.

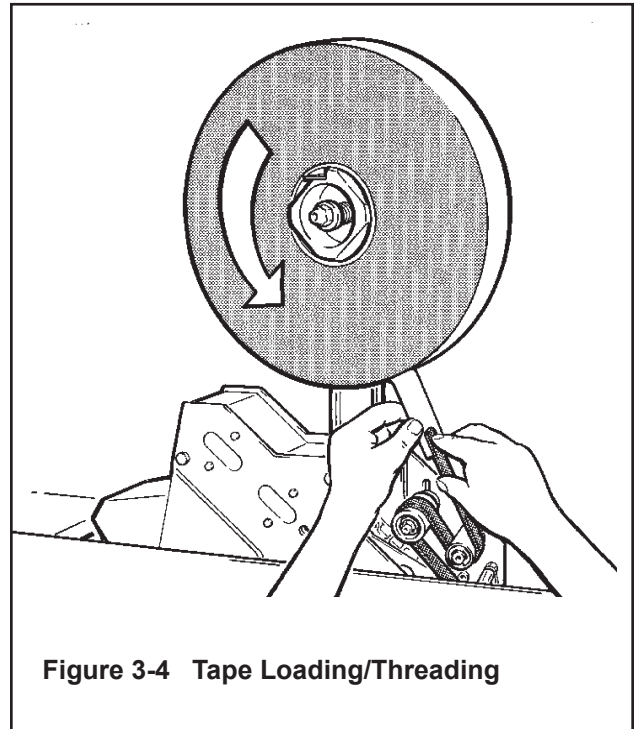
**Figure 3-3** Insert threading needle through rollers in direction indicated by arrows.





**Figure 3-4**

Place tape roll on tape drum to dispense tape with adhesive side forward. Seat tape roll fully against back flange of drum. Adhere tape lead end to threading needle as shown.



**Figure 3-4** Tape Loading/Threading

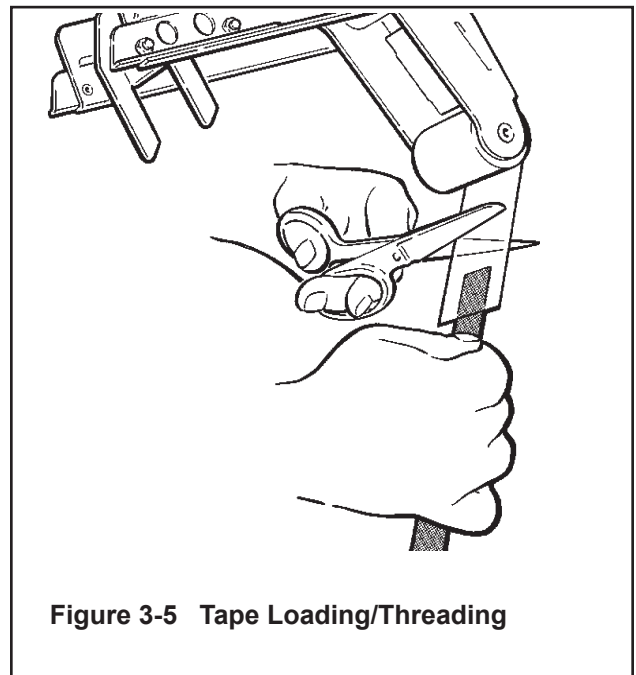


**WARNING**

- **To reduce the risk associated with sharp blade hazards:**
  - Keep hands and fingers away from tape cutoff blades under orange blade guards. The blades are extremely sharp

Manually turn tape roll to create slack tape while pulling threading needle through tape applying mechanism until needle is through and tape is in alignment with applying roller.

Excess tape can be cut with a scissors at applying roller.



**Figure 3-5** Tape Loading/Threading

 **WARNING**

- **To reduce the risk associated with shear, pinch, and entanglement hazards:**
  - Turn air and electrical supplies off on associated equipment before performing any adjustments, maintenance, or servicing the taping heads
  - Never attempt to work on the taping head or load tape while the box drive system is running
- **To reduce the risk associated with sharp blade hazards:**
  - Keep hands and fingers away from tape cutoff blades under orange blade guards. The blades are extremely sharp

The AccuGlide™ 3 Taping Head - 3 Inch has been designed for long, trouble free service. The taping head will perform best when it receives routine maintenance and cleaning. Taping head components that fail or wear excessively should be promptly repaired or replaced to prevent damage to other portions of the head or to the product.

**Blade Replacement, Upper and Lower Taping Heads – Figure 4-1**

 **WARNING**

- **To reduce the risk associated with sharp blade hazards:**
  - Keep hands and fingers away from tape cutoff blade edge. The knives are extremely sharp

1. Loosen, but do not remove, the blade screws (A). Remove and discard old blade.
2. Mount the new blade (B) with the beveled side away from the blade holder.

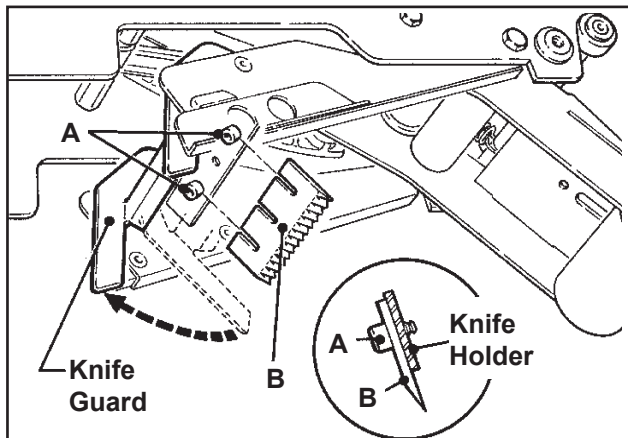


Figure 4-1 Blade Replacement

3. Bottom the blade slots against the screws. (This will position the blade at the correct angle.) Tighten the blade screws to secure the blade.

**Note** – Check the blade position to insure proper clearance between blade and guard by slowly pivoting the blade guard back.

**Blade Guard**

The blade guard covers the blade whenever a box is not being taped. Periodically check to be sure the blade guard is functioning properly and returning to cover the blade. Replace any defective parts.

**Blade Oiler Pad**

 **WARNING**

- **To reduce the risk associated with sharp blade hazards:**
  - Keep hands and fingers away from tape cutoff blade edge. The knives are extremely sharp

To reduce adhesive build-up, the taping heads are equipped with a factory pre-lubricated felt oiler pad that provides a film of oil on the cutting edge of the blade to reduce adhesive build-up. Apply Synthetic Silicone as needed. Saturate felt oiler pad with oil.

Should tape adhesive build-up occur on blade, carefully wipe clean with an oily cloth.



## WARNING

- **To reduce the risk associated with shear, pinch, and entanglement hazards:**
  - Turn air and electrical supplies off on associated equipment before performing any adjustments, maintenance, or servicing the taping heads
  - Never attempt to work on the taping head or load tape while the box drive system is running
- **To reduce the risk associated with sharp blade hazards:**
  - Keep hands and fingers away from tape cutoff blades under orange blade guards. The blades are extremely sharp

### Cleaning

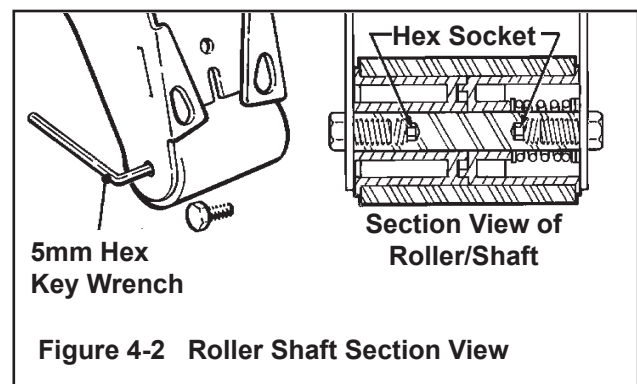
Regular slotted containers produce a great deal of dust and paper chips when conveyed through taping heads. If this dust is allowed to build-up on the heads, it can cause wear on the moving parts. Excessive dirt build-up should be wiped off with a damp cloth. Cleaning should be done **once per month**, depending on the number and type of boxes used. If the boxes used are dirty, or if the environment in which the heads operate is dusty, cleaning on a more frequent basis may be necessary.

**Note** – Never attempt to remove dirt from taping heads by blowing it out with compressed air. This can cause the dirt to be blown inside the components onto sliding surfaces. Dirt in these areas can cause serious equipment damage. Never wash down or subject taping heads to conditions causing moisture condensation on components. Serious equipment damage could result.

### Applying/Buffering Roller Replacement

Replacing roller requires removal of shaft and mounting screws. With no area on the shaft to grip, the shaft often turns when attempting to remove the second screw.

To ease removal of second screw, a 5mm hex socket has been provided at the bottom of the threads in both ends of the shaft. Insert a 5mm hex key wrench into this socket after removing one screw to hold the shaft for removal of the second screw. **See Figure 4-2.**





**WARNING**

- **To reduce the risk associated with shear, pinch, and entanglement hazards:**
  - Turn air and electrical supplies off on associated equipment before performing any adjustments, maintenance, or servicing the machine or taping heads
  - Never attempt to work on the taping head or load tape while the box drive system is running

**Tape Latch Alignment – Figure 5-1**

The Latching tape drum assembly is pre-set to accommodate 72mm [3 inch] wide tape. The tape drum assembly is adjustable to provide alignment of narrower tapes.

To move the latch to a position that corresponds to a new tape core width (**Figure 5-1**):

1. Remove screw from the latch.
2. Move to the latch to the position that corresponds to the tape core width.
3. Replace screw in the new latch location.

To adjust or center the tape width on the centerline of the taping head, and therefore box center seam, (**Figure 5-2**):

1. Loosen the locking hex nut behind tape drum bracket on tape drum shaft. Use an adjustable wrench or 25mm open end wrench.

**Note** – To set up 72mm tape drum for 48mm tape, disassemble tape drum from bracket and install lock nut between tape drum and bracket as shown in inset, **Figure 5-3**.

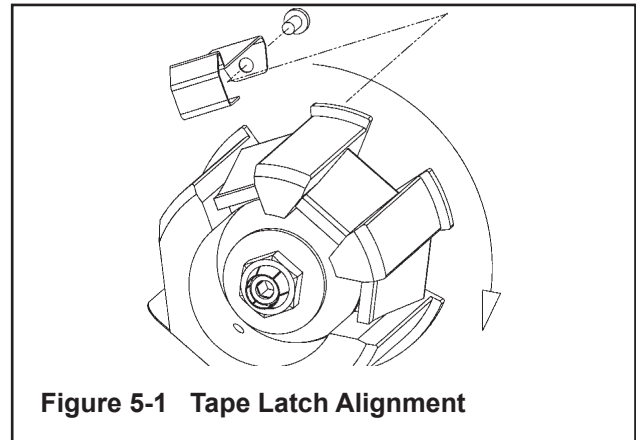
2. Turn tape drum shaft in or out to center the tape web (use 5mm hex wrench).
3. Tighten locking hex nut to secure the adjustment.

No other components require adjustment for tape web alignment.

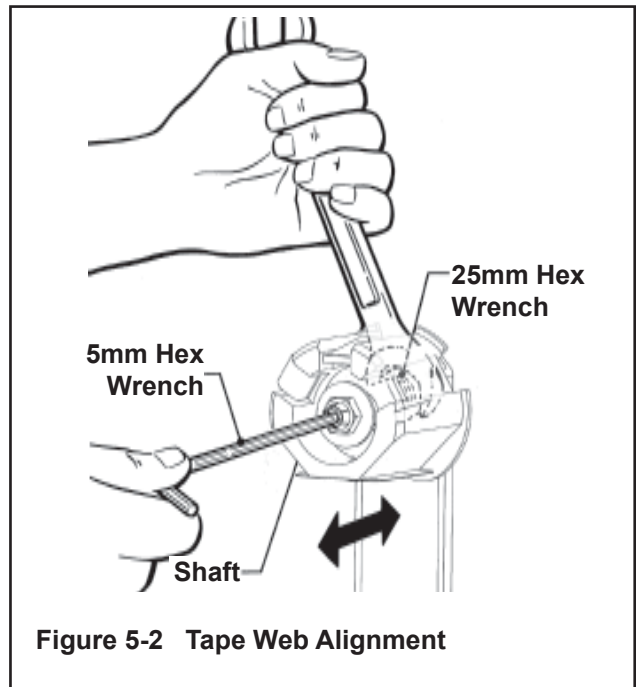
**Tape Drum Friction Brake – Figure 5-3**

The tape drum friction brake on each taping head is pre-set for normal operation to prevent tape roll over travel. Should tension adjustment be required, turn the self-locking nut on the shaft to vary compression of the spring. Turn the nut clockwise to increase the braking force, and counterclockwise to decrease the braking force. Adjust brake to minimum tension to prevent excessive tape roll over travel.

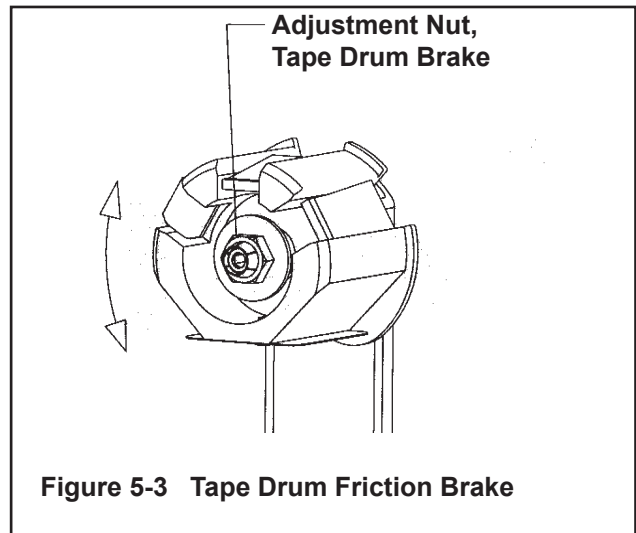
**Note** – Excess braking force will cause poor tape application and may lead to tape tabbing on the trailing tape leg.



**Figure 5-1 Tape Latch Alignment**



**Figure 5-2 Tape Web Alignment**



**Figure 5-3 Tape Drum Friction Brake**



## WARNING

- **To reduce the risk associated with shear, pinch, and entanglement hazards:**
  - Turn air and electrical supplies off on associated equipment before performing any adjustments, maintenance, or servicing the machine or taping heads
  - Never attempt to work on the taping head or load tape while the box drive system is running

### Applying Mechanism Spring

To obtain access to the spring, remove the taping head cover (four mounting screws). Replace cover when finished.

The applying mechanism spring, shown in **Figures 5-4A and 5-4B**, controls applying and buffing roller pressure on the box and returns the mechanism to the reset position. The spring pressure is pre-set, as shown in **Figure 5-4A** for normal operation, but is adjustable.

If a tape gap appears on the trailing surface of the box increase spring pressure. If the front of the box is being crushed by the applying roller decrease spring pressure.

Removing the spring end loop from the spring holder and placing loop in other holes provided, as shown in **Figure 5-4B**, will adjust the spring pressure.

### One-Way Tension Roller

#### Figure 5-5

The one-way tension roller is factory set. When replacing this assembly, the roller must have a force of approximately 0.5 kg to 0.9 kg [1 to 2 lbs.] when turning.

To Adjust Tension:

1. Wrap a cord or small strap (non-adhesive) 4-6 turns around the tension roller.
2. Attach a spring scale to the end of the cord or strap.
3. Turn the adjusting nut with the socket wrench provided, until a force of approximately 0.5 kg to 0.9 kg [1 to 2 lbs.] is required to turn the roller by pulling on the spring scale.

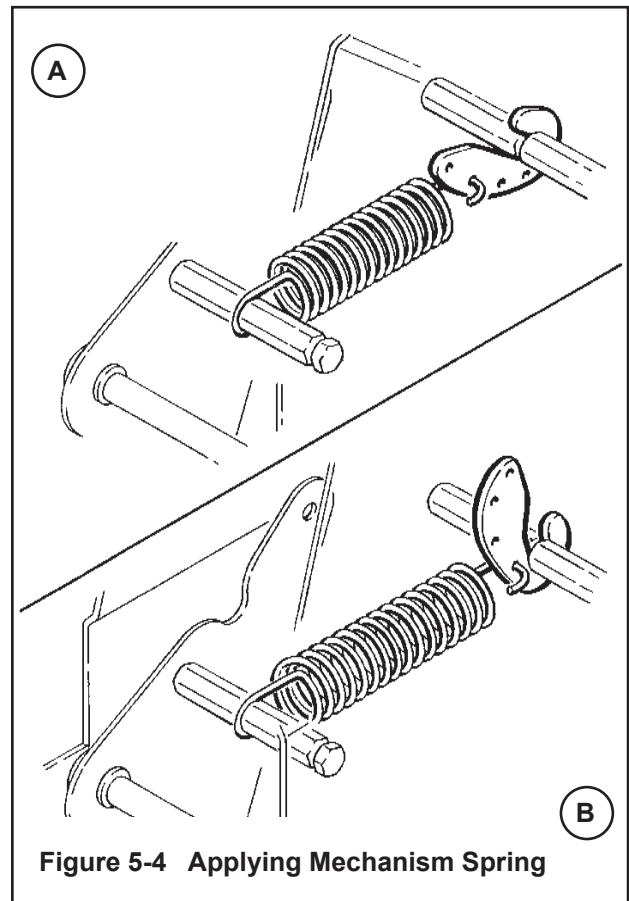


Figure 5-4 Applying Mechanism Spring

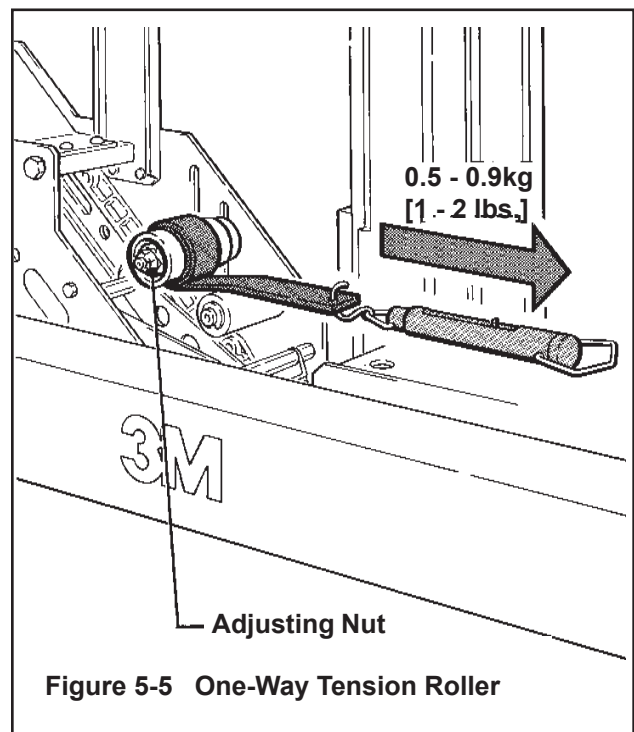


Figure 5-5 One-Way Tension Roller



**WARNING**

- To reduce the risk associated with shear, pinch, and entanglement hazards:
- Turn air and electrical supplies off on associated equipment before performing any adjustments, maintenance, or servicing the machine or taping heads
- Never attempt to work on the taping head or load tape while the box drive system is running

**Tape Leg Length**



**WARNING**

- To reduce the risk associated with sharp blade hazards:
- Keep hands and fingers away from tape cutoff knives under orange blade guards. The blades are extremely sharp

**Leading Tape Leg Length Adjustment – Figure 5-6**

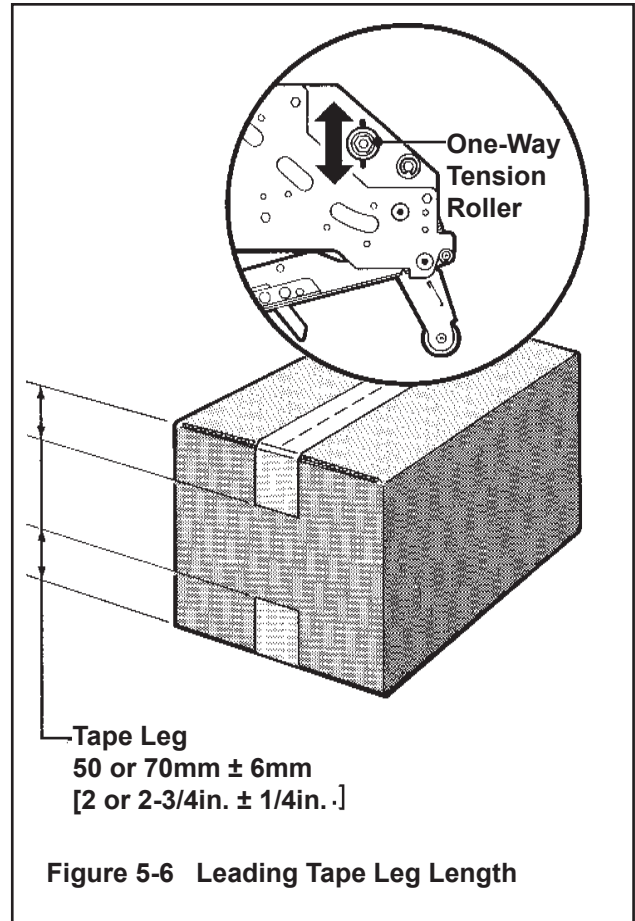
The one-way tension roller position is adjustable to control the leading tape leg length.

Moving this roller farther away from the box top or bottom surface will decrease the leading leg length. Moving it closer to the box top or bottom surface will increase the leading leg length.

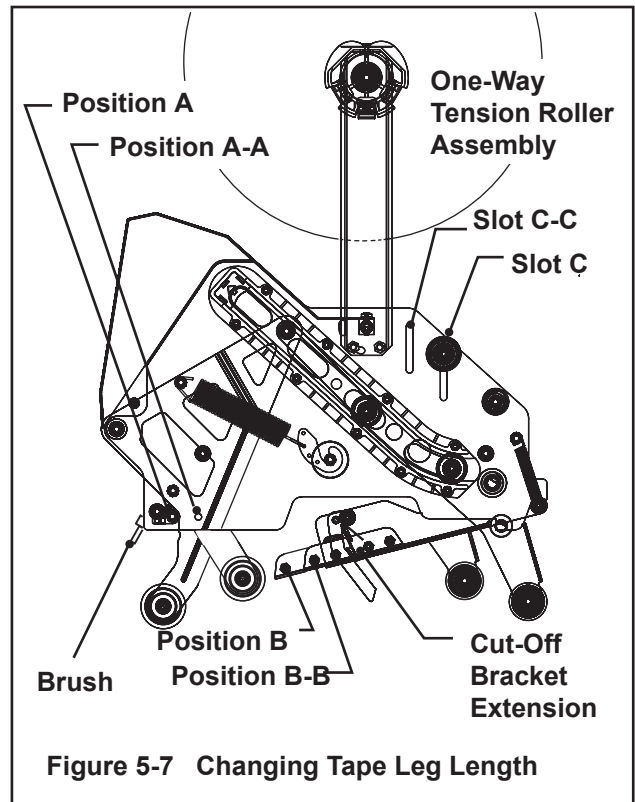
Changing Tape leg Length from 70 to 50mm [2-3/4 to 2 inches] – **Figure 5-7**

**Note** – When changing tape leg length, both upper and lower heads must be adjusted to apply the same leg lengths.

1. Remove and retain two hex head screws and remove the brush from normal position “A” on side frame.
2. Remount and secure brush in position “A-A” on side frame forward of normal location using original fasteners.
3. Remove cut-off bracket extensions from position “B”.
4. Remount cut-off bracket extensions in forward position “B-B”.
5. Remove and retain the one-way tension roller assembly from slot “C” in frame.
6. Remount tension roller assembly near top of slot “C-C” in frame using original fasteners.
7. Adjust tension roller according to "Leading Tape Leg Length Adjustment" above.



**Figure 5-6 Leading Tape Leg Length**



**Figure 5-7 Changing Tape Leg Length**

---

## Troubleshooting

---

### Troubleshooting Guide

<b>Problem</b>	<b>Cause</b>	<b>Correction</b>
The tape leg on the front of the case is too long	The tape is threaded incorrectly	The tape must go around the wrap roller before going around the one-way tension roller
	The tape tension is too low	Adjust the one-way tension roller
	The knurled roller drags	Check for adhesive build-up between the knurled roller and its shaft. Clean and lubricate shaft. Remove all lubricant from roller surfaces.
	Tape tracks to one side or drags on the support tabs of applying frame	Adjust the tape web alignments
	The one-way tension roller is not correctly positioned	Position the roller in its mounting slot so that the tape extends just beyond the center line of the applying roller
	Taping head is not set up properly	Check leg length adjustments
The blade does not cut tape or the tape end is jagged or shredded	The blade is dull and/or has broken teeth	Replace the blade
	Tape tension is insufficient	Increase tape tension by adjusting the one-way tension roller
	Adhesive has built up on the blade	Clean and adjust the blade
	The blade is not positioned properly	Make sure the blade is bottomed out against the mounting bolts
	The blade is dry	Lubricate the blade oiler pad on the blade guard
	The blade is in backwards	Mount the blade so that the beveled edge is away from the entrance of the head
	One or both cutter springs are missing or stretched	Replace the defective spring(s)
	Tension roller surface is not fully contacting the taping head frame	Make sure one-way bearing is below the surface of the tension roller. If not, press bearing further into roller or replace roller.

(continued)

## Troubleshooting (continued)

---

### Troubleshooting Guide

<b>Problem</b>	<b>Cause</b>	<b>Correction</b>
Tape is tabbing on the trailing leg on the back of the box	There is excess tension on the tape drum assembly and/or the one-way tension roller assembly	Adjust the one-way tension roller and/or the tape drum assembly
	Rollers in the tape path do not rotate freely	Clean adhesive deposits from the surface, ends, and shafts of the rollers. Then lubricate roller shafts. Remove all lubricant from roller surfaces.
	The blade is not cutting tape properly	Refer to tape cutting problems
	The tape is threaded incorrectly	Rethread the tape
The tape end does not stay in application position in front of the applying roller	Applying mechanism spring has too little tension	Move spring hook to next tighter hole
	The tape is incorrectly threaded	Rethread the tape
	Flanged knurled roller overruns on return of applying mechanism to its rest position	Adjust tension roller position in mounting slot to lengthen tape leg
	Applying roller overruns on return of applying mechanism to its rest position	There should be a slight drag when rotating the applying roller. If not, check friction springs and/or friction pins and replace if necessary
	The one-way tension roller is not correctly positioned	Position roller in its mounting slot so that tape end extends beyond center line of applying roller
Tape not centered on box seam	The one-way tension roller is defective	Replace the one-way tension roller
	Tape drum not centered	Reposition tape drum
	Centering guides not centered	Adjust centering guides
	Box flaps not of equal length	Check box specifications



---

## Spare Parts/Service Information

---

### Recommended Spare Parts

Listed are a set of spare parts that will periodically require replacement due to normal wear. These parts should be ordered to keep the taping heads in production:

#### AccuGlide™ 3 Upper Taping Head - 3 Inch

Qty.	3M-Part Number	Description
4	78-8076-4500-3	Stud – Mounting
1	78-8137-3311-6	Spring – Upper Extension
1	78-8028-7899-7	Knife – 89mm/3.5 Inch
2	78-8052-6602-6	Spring – Cutter
1	78-8076-4726-4	Tool – Tape Threading

#### AccuGlide™ 3 Lower Taping Head - 3 Inch

Qty.	3M-Part Number	Description
1	78-8028-7899-7	Knife – 89mm/3.5 Inch
2	78-8052-6602-6	Spring – Cutter
4	78-8076-4500-3	Stud – Mounting
1	78-8137-3312-4	Spring – Lower Extension
1	78-8076-4726-4	Tool – Tape Threading

In addition to the above set of spare parts supplied with the taping head, it is suggested that the following spare parts be maintained which will require replacement under normal wear of the taping head.

Qty.	3M-Part Number	Description
1	78-8057-6181-0	Roller – Applying
1	78-8057-6180-2	Roller – Buffing
1	78-8113-7030-9	Spring – Torsion

### Replacement Parts and Service

Refer to the first page of this instruction manual “Replacement Parts and Service Information.”

**Replacement Parts Illustrations and Parts Lists**  
**AccuGlide™ 3 Upper Taping Head - 3 Inch, Type 10800**  
**AccuGlide™ 3 Lower Taping Head - 3 Inch, Type 10800**

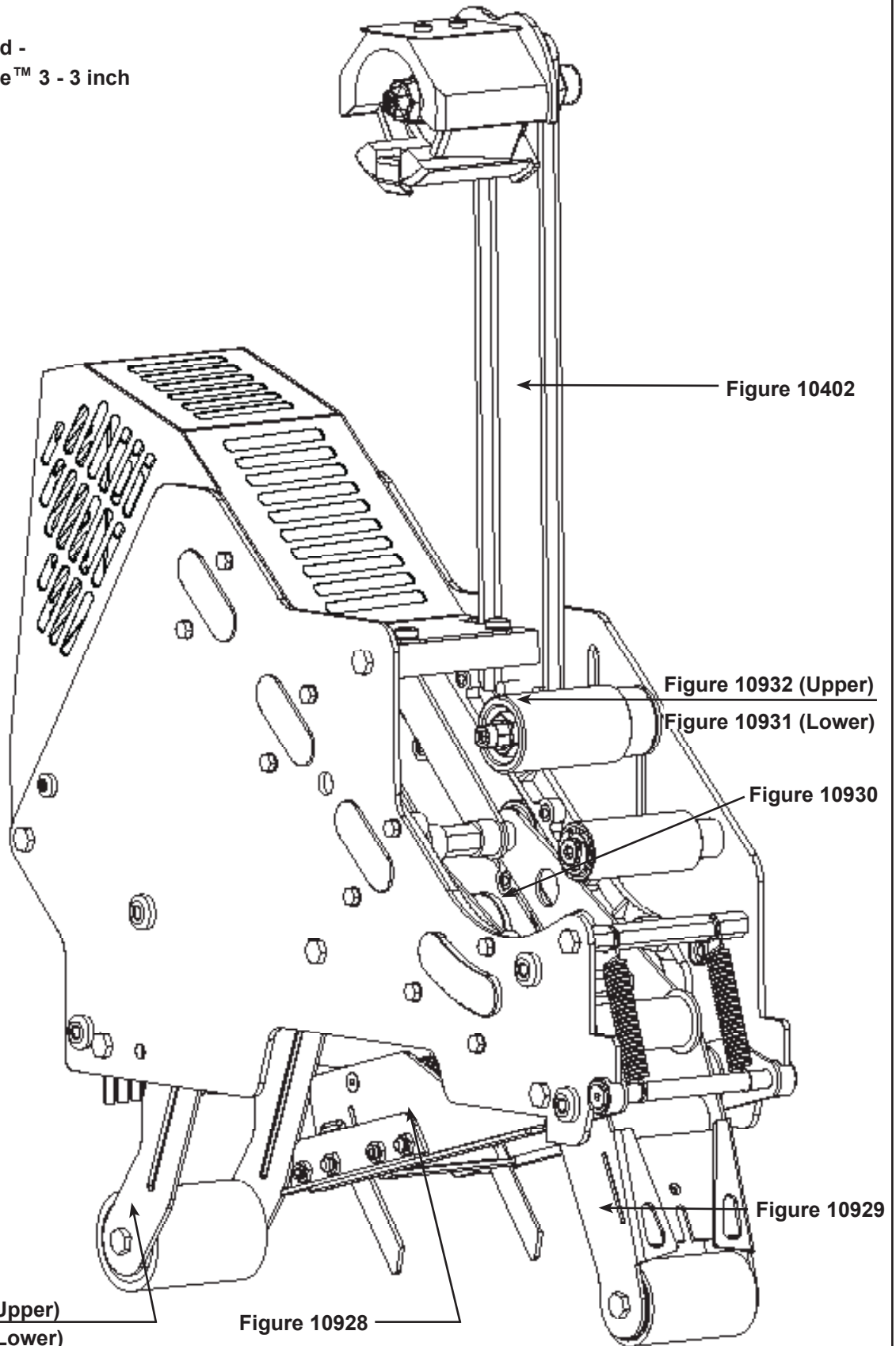
1. Refer to the Taping Head Assemblies Figure to find all the parts illustrations identified by figure numbers.
2. Refer to the figure or figures to determine the individual parts required and the parts reference number.
3. The replacement parts list, that follows each illustration, includes the part number and part description for the parts in that illustration.

**Note** – The complete description has been included for standard fasteners and some commercially available components. This has been done to allow obtaining these standard parts locally, should the customer elect to do so.

4. Refer to the first page of this instruction manual "Replacement Parts and Service Information" for replacement parts ordering information.

**Important** – Not all the parts listed are normally stocked items. Some parts or assemblies shown are available only on a special order basis. Contact 3M/Tape Dispenser Parts to confirm item availability.

Tape Head -  
AccuGlide™ 3 - 3 inch



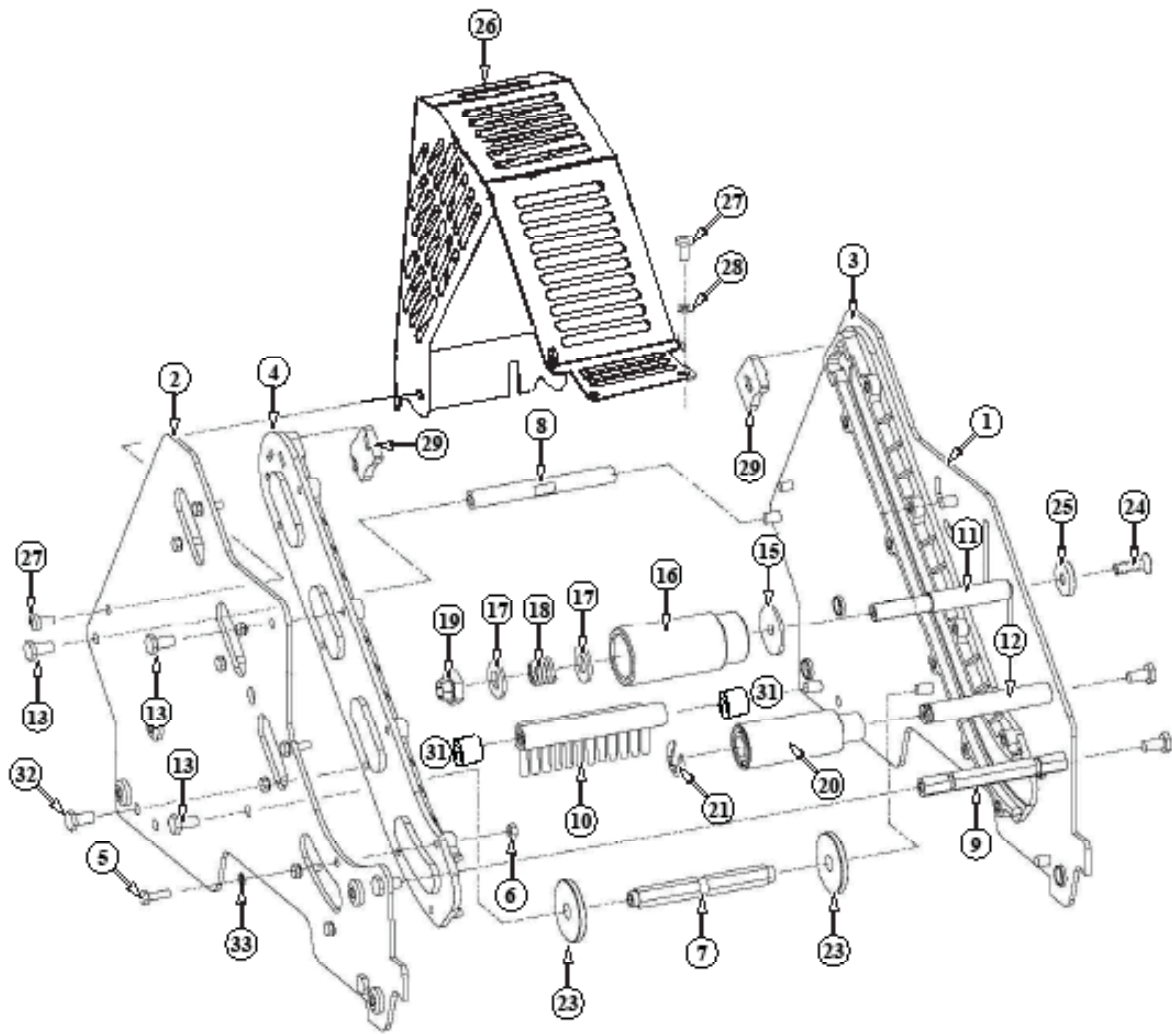


Figure 10932 – Upper Head

**AccuGlide™ 3 - 3"**

**Figure 10932 – Upper Head**

<b>Ref. No.</b>	<b>3M Part No.</b>	<b>Description</b>
10932-1	78-8137-3294-4	Frame – Tape Mount Upper Assembly
10932-2	78-8137-3295-1	Frame – Front Upper Assembly
10932-3	78-8068-4143-9	Guide – #1
10932-4	78-8068-4144-7	Guide – #2
10932-5	78-8060-7818-0	Screw – Hex Hd, M4 x 12
10932-6	78-8010-7416-8	Nut – Hex Jam, M4
10932-7	78-8076-4735-5	Spacer – Spring
10932-8	78-8137-3309-0	Shaft - Pivot 115mm
10932-9	78-8060-7939-4	Spacer – 10 x 115 W/Slots
10932-10	78-8060-7936-0	Brush Assembly
10932-11	78-8054-8796-0	Shaft – Tension Roller
10932-12	78-8054-8798-6	Shaft – Wrap Roller
10932-13	26-1003-5829-5	Screw – Hex Hd, M6 x 12
10932-15	78-8100-1009-6	Washer – Special
10932-16	78-8054-8797-8	Roller – Top Tension
10932-17	26-1004-5510-9	Washer – Plain, M10
10932-18	78-8052-6567-1	Spring – Compression
10932-19	78-8017-9077-1	Nut – Self Locking, M10 x 1
10932-20	78-8054-8799-4	Roller – Wrap
10932-21	26-1000-1613-3	Ring – Retaining, Tru-Arc #1-420-0120-100
10932-22	78-8076-4500-3	Stud – Mounting (not shown)
10932-23	78-8076-5242-1	Stop – Cut-Off Frame
10932-24	78-8060-8179-6	Screw - Flat Head Hex, M6 x 20
10932-25	78-8076-5477-3	Washer – Special, 6.5 x 20 x 4
10932-26	78-8137-3310-8	Guard – Head
10932-27	78-8060-8087-1	Screw – M5 x 10
10932-28	78-8005-5741-1	Washer – Flat, M5
10932-29	78-8133-9615-3	Bumper
10932-30	78-8133-9605-4	Label – Threading, English Language
10932-31	78-8060-7937-8	Spacer 6.5 / 14 x 12.5
10932-32	78-8060-7938-6	Screw - Low Profile M6 x 25
10924-33	78-8076-4716-5	Star Washer 4mm

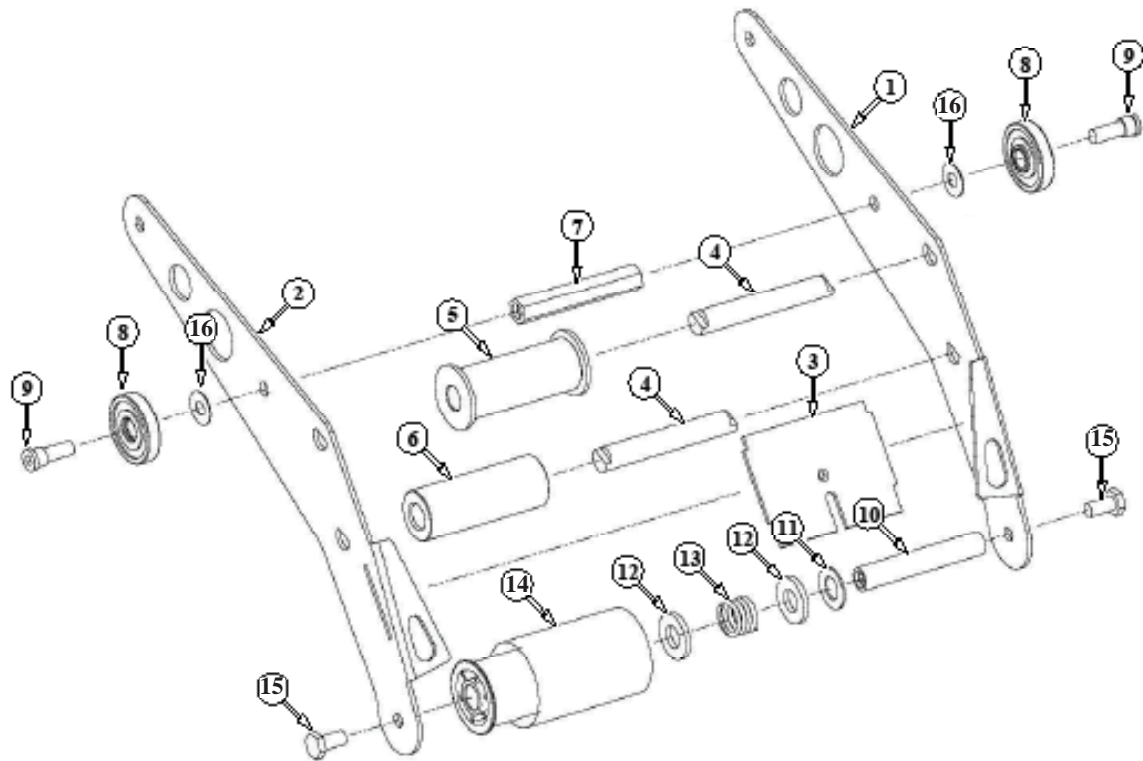


Figure 10929 – Upper and Lower Heads

## AccuGlide™ 3 - 3"

Figure 10929 – Upper and Lower Heads

Ref. No.	3M Part No.	Description
10929-1	78-8133-9520-5	Arm – Applying, R/H
10929-2	78-8133-9521-3	Arm – Applying, L/H
10929-3	78-8070-1292-3	Plate – Back-Up
10929-4	78-8076-4736-3	Shaft Roller
10929-5	78-8076-4737-1	Roller Assembly – Knurled
10929-6	78-8076-4738-9	Roller – Wrap
10929-7	78-8054-8806-7	Spacer
10929-8	78-8017-9082-1	Bearing – Special, 30 mm
10929-9	78-8017-9106-8	Screw – Bearing Shoulder
10929-10	78-8054-8801-8	Shaft – 10 x 85, W/Hexagon
10929-11	78-8017-9074-8	Washer – Nylon, 15mm
10929-12	26-1004-5510-9	Washer – Friction
10929-13	78-8052-6567-1	Spring – Compression
10929-14	78-8137-1392-8	Assembly– Applying Roller
10929-15	26-1003-5829-5	Screw – Hex Hd, M6 x 12
10929-16	78-8094-6151-6	Washer - Flat, 6.5 ID x 15 OD x 0.5 Thk

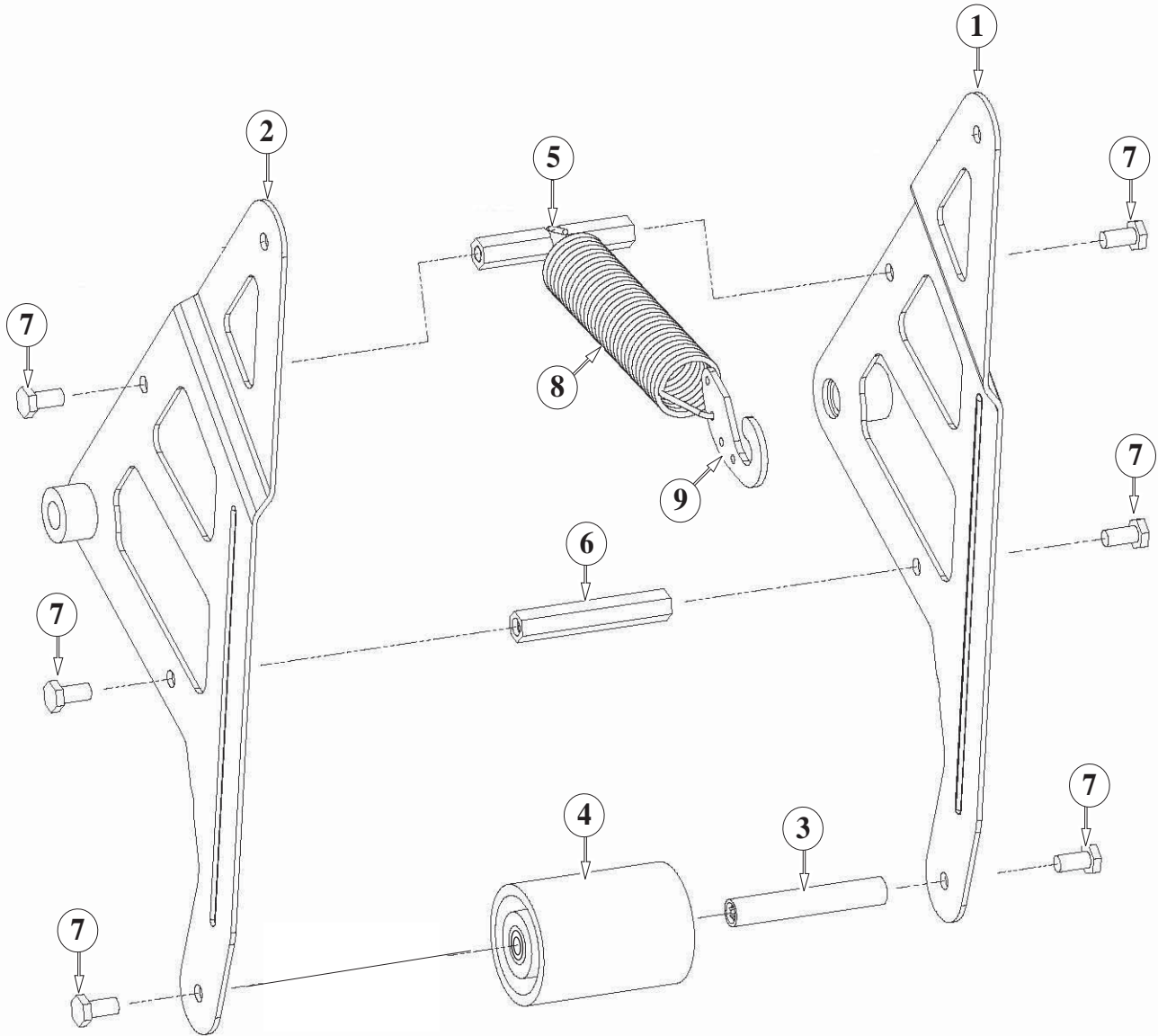


Figure 10926 – Upper Head



**AccuGlide™ 3 - 3"**

**Figure 10926 – Upper Head**

<b>Ref. No.</b>	<b>3M Part No.</b>	<b>Description</b>
10926-1	78-8137-3300-9	Buffing Arm – Sub Assembly
10926-2	78-8137-3301-7	Buffing Arm – Sub Assembly
10926-3	78-8091-0799-4	Shaft – 10 x 85, W/Hexagon
10926-4	78-8137-1397-7	Roller – Buffing Assembly
10926-5	78-8076-4739-7	Spacer – Spring
10926-6	78-8052-6580-4	Spacer
10926-7	26-1003-5829-5	Screw – Hex Hd, M6 x 12
10926-8	78-8137-3311-6	Spring – Upper (100 fpm)
10926-9	78-8070-1244-4	Holder – Spring

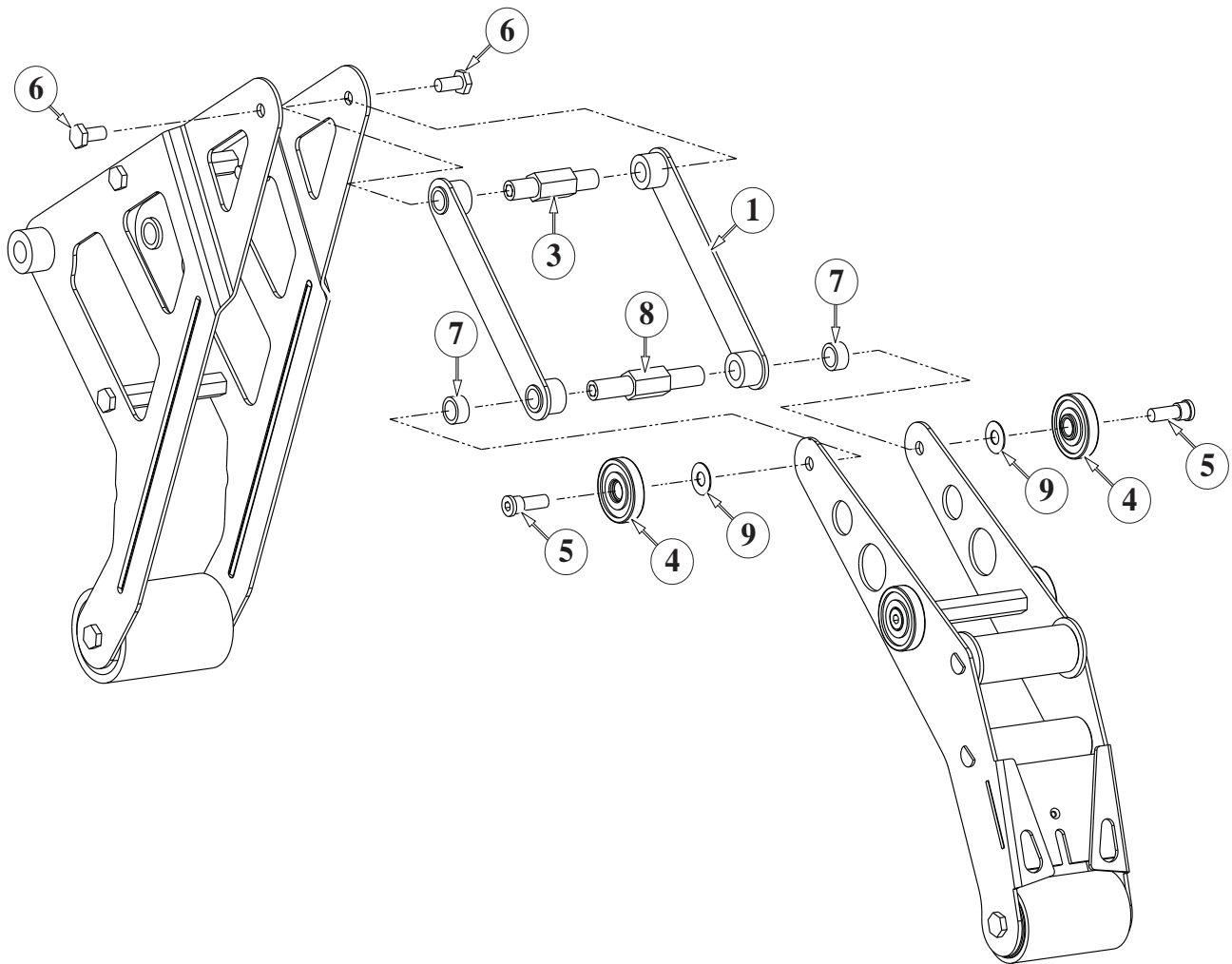


Figure 10930 – Upper and Lower Heads

## AccuGlide™ 3 - 3"

Figure 10930 – Upper and Lower Heads

Ref. No.	3M Part No.	Description
10930-1	78-8137-3302-5	Link – R/H Assembly
10930-3	78-8137-3314-0	Shaft – Pivot, Buffing
10930-4	78-8017-9082-1	Bearing – Special 30 mm
10930-5	78-8017-9106-8	Screw – Bearing Shoulder
10930-6	26-1003-5829-5	Screw – Hex Hd, M6 x 12
10930-7	78-8137-3305-8	Spacer – Applying Pivot
10930-8	78-8137-3313-2	Shaft – Pivot, Applying
10930-9	78-8094-6151-6	Washer - Flat, 6.5 ID x 15 OD x 0.5 Thk

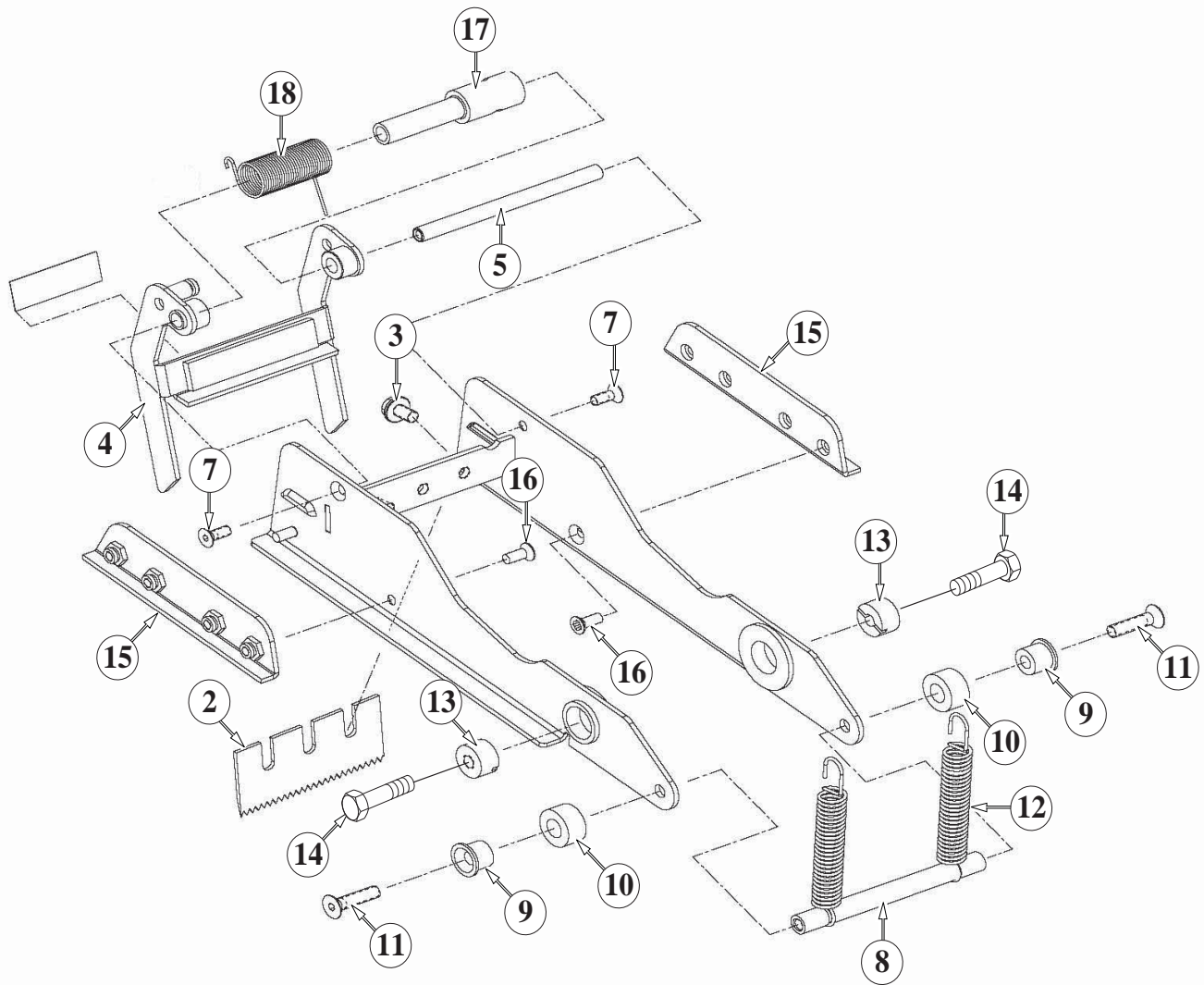


Figure 10928 – Upper and Lower Heads

## AccuGlide™ 3 - 3"

Figure 10928 – 3" Upper and Lower Heads

Ref. No.	3M Part No.	Description
10928-1	78-8070-1283-2	Frame – Cut-Off
10928-2	78-8028-7899-7	Knife – 89 mm/3.5 Inch
10928-3	26-1002-5817-2	Screw – Hex Hd, M5 x 8
10928-4	78-8076-4741-3	Knife Guard Assembly – W/English Language Label
10928-5	78-8054-8813-3	Shaft – Knife Guard
10928-7	26-1005-4758-2	Screw – Flat Hd, Soc Dr, M4 x 10
10928-8	78-8060-7941-0	Pin – Spring Holder W/Slots
10928-9	78-8052-6600-0	Spacer
10928-10	78-8070-1269-1	Bumper
10928-11	26-1005-4757-4	Screw – Flat Hd, Soc Dr, M5 x 20
10928-12	78-8052-6602-6	Spring – Cutter
10928-13	78-8017-9132-4	Pivot – Cutter Lever
10928-14	26-1003-5828-7	Screw – Spec, Hex Hd, M6 x 10
10928-15	78-8070-1216-2	Slide – Extension
10928-16	26-1008-6574-5	Screw – Flat Hd, Phil Dr, M4 x 10
10928-17	78-8113-7060-6	Bushing – 83.7 mm Long
10928-18	78-8113-7030-9	Spring – Torsion
10928-19	78-8070-1335-0	Label – Warning, English

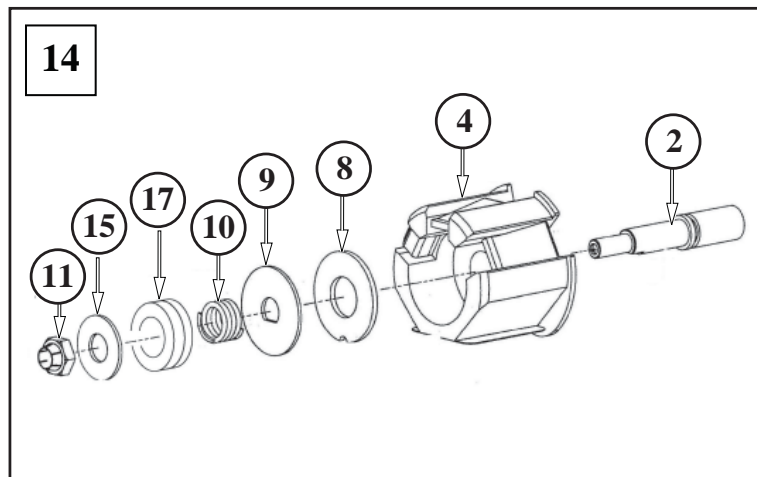
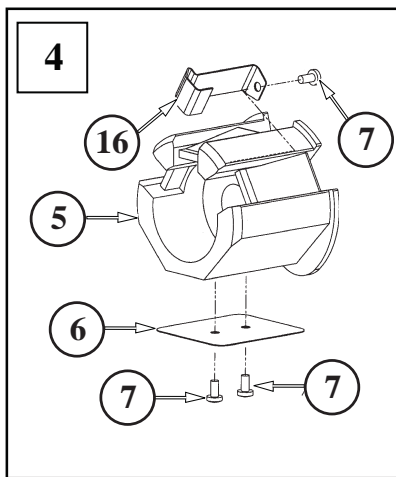
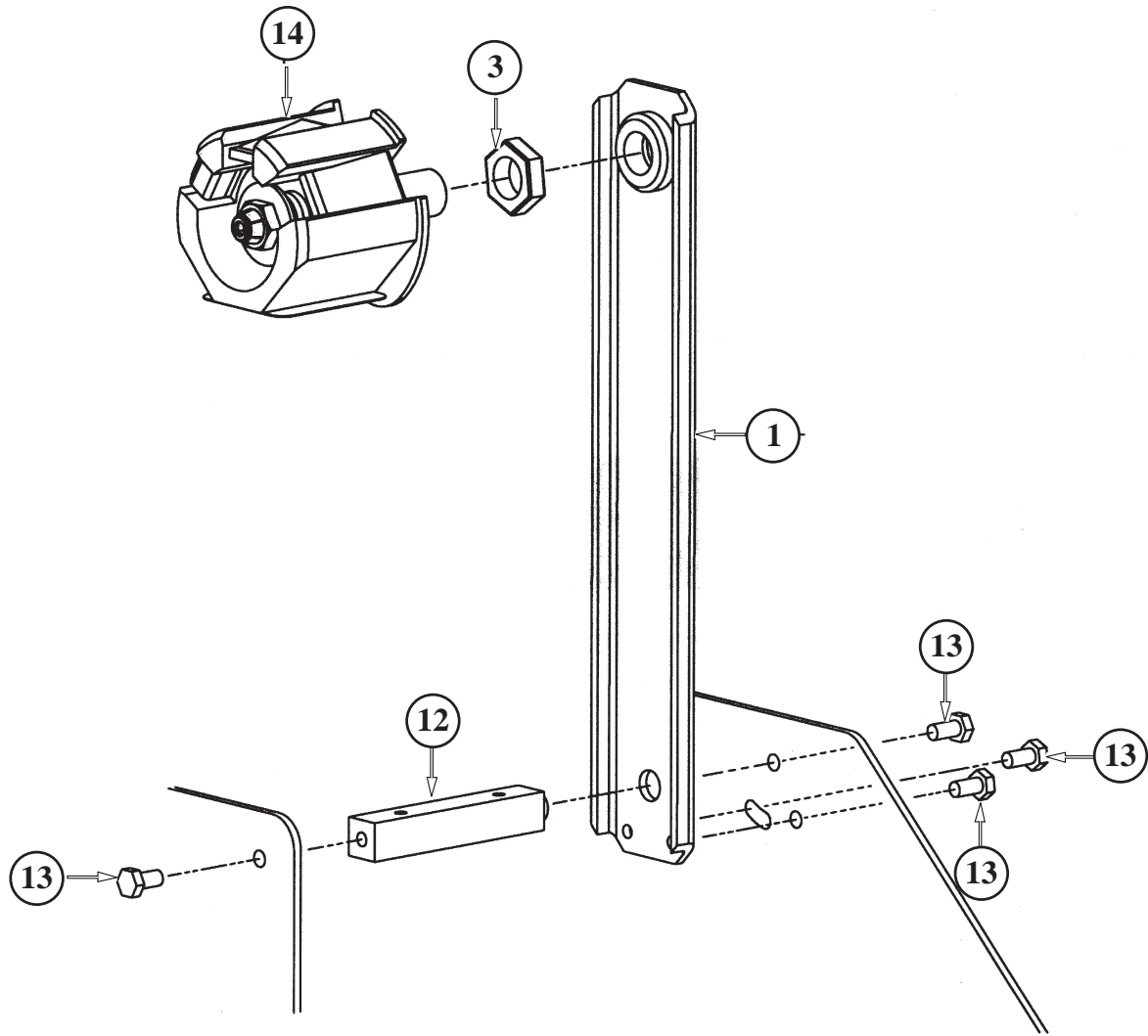


Figure 10402 – Upper and Lower Heads

## AccuGlide™ 3 - 3"

**Figure 10402 – 3" Latch Upper and Lower Heads**

<b>Ref. No.</b>	<b>3M Part No.</b>	<b>Description</b>
10402-1	78-8070-1395-4	Bracket – Bushing Assembly
10402-2	78-8060-8462-6	Shaft – Tape Drum, 3 Inch Head
10402-3	78-8017-9169-6	Nut – M18 x 1
10402-4	78-8098-8829-6	Tape Drum Sub Assembly – 3 Inch Wide
10402-5	78-8098-8828-8	Tape Drum
10402-6	78-8098-8830-4	Leaf Spring
10402-7	26-1002-5753-9	Screw – Self Tapping
10402-8	78-8060-8172-1	Washer – Friction
10402-9	78-8052-6271-0	Washer – Tape Drum
10402-10	78-8100-1048-4	Spring – Core Holder
10402-11	78-8017-9077-1	Nut – Self Locking, M10 x 1
10402-12	78-8100-1050-0	Spacer – Bracket
10402-13	26-1003-5829-5	Screw – Hex Hd, M6 x 12
10402-14	78-8133-9641-9	Tape Drum Assembly – 3 Inch Head
10402-15	26-1004-5510-9	Washer – Plain, M10
10402-16	78-8098-8816-3	Latch – Tape Drum
10402-17	78-8052-6651-3	Washer - Nylon

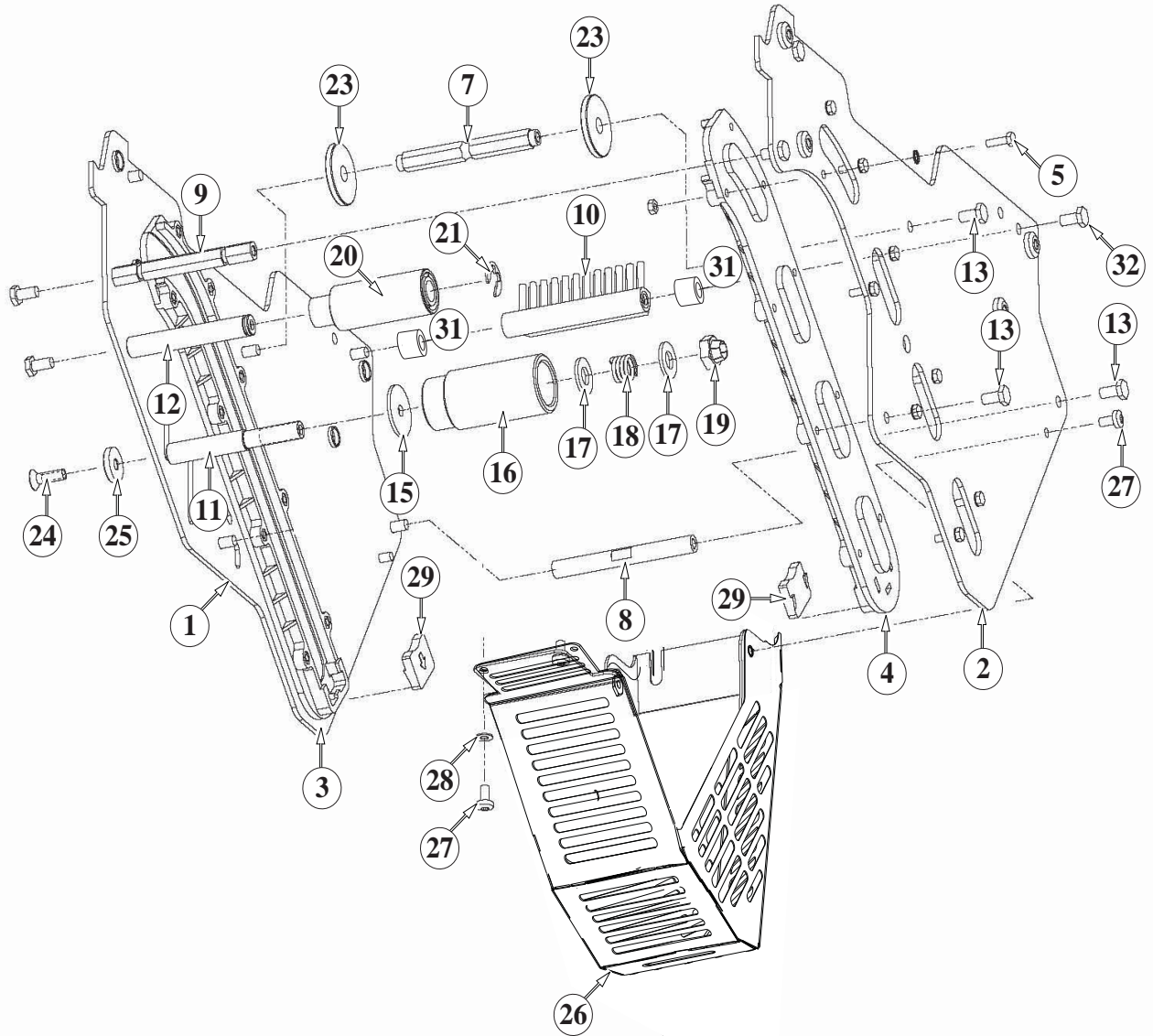


Figure 10931 – Lower Head



## AccuGlide™ 3 - 3"

Figure 10931 – Lower Head

Ref. No.	3M Part No.	Description
10931-1	78-8137-3296-9	Frame – Tape Mount Lower Assembly
10931-2	78-8137-3297-7	Frame – Front Lower Assembly
10931-3	78-8068-4144-7	Guide – #2
10931-4	78-8068-4143-9	Guide – #1
10931-5	83-0002-7336-3	Screw – Hex Hd, M4 x 14
10931-6	78-8010-7416-8	Nut – Hex, M4
10931-7	78-8076-4735-5	Spacer – Spring
10931-8	78-8137-3309-0	Spacer – 10 x 10 x 115 mm
10931-9	78-8060-7939-4	Spacer – 10 x 115, W/Slots
10931-10	78-8060-7936-0	Brush Assembly
10931-11	78-8054-8796-0	Shaft – Tension Roller
10931-12	78-8054-8798-6	Shaft – Wrap Roller
10931-13	26-1003-5829-5	Screw – Hex Hd, M6 x 12
10931-15	78-8100-1009-6	Washer – Special
10931-16	78-8054-8817-4	Roller – Tension Bottom
10931-17	26-1004-5510-9	Washer – Plain, M10
10931-18	78-8052-6567-1	Spring – Compression
10931-19	78-8017-9077-1	Nut – Self Locking, M10 x 1
10931-20	78-8054-8799-4	Roller – Wrap
10931-21	26-1000-1613-3	Ring – Retaining, Tru-Arc #1-420-0120-100
10931-22	78-8076-4500-3	Stud – Mounting (not shown)
10931-23	78-8076-5242-1	Stop – Cut-Off Frame
10931-24	78-8060-8179-6	Screw – Flat Head Hex, M6 x 20
10931-25	78-8076-5477-3	Washer – Special /6.5 x 20 x 4
10931-26	78-8137-3310-8	Guard – Head
10931-27	78-8060-8087-1	Screw – M5 x 10
10931-28	78-8005-5741-1	Washer – Flat, M5
10931-29	78-8133-9615-3	Bumper
10931-30	78-8133-9606-2	Label – Threading, English Language
10931-31	78-8060-7937-8	Spacer 6.5 / 14 x 12.5
10931-32	78-8060-7938-6	Screw - Low Profile M6 x 25
10924-33	78-8076-4716-5	Star Washer 4mm

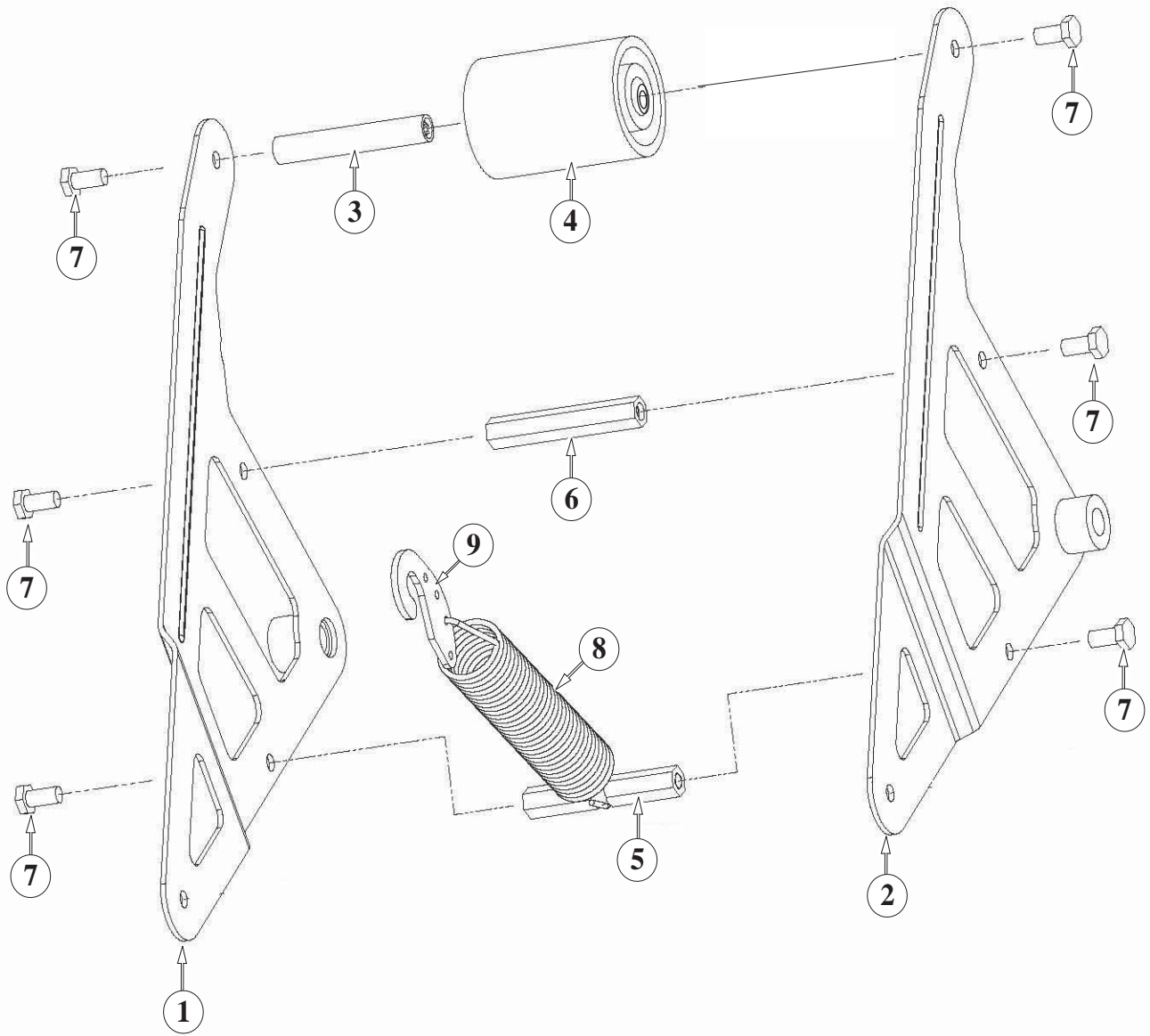


Figure 10927 – Lower Head

## AccuGlide™ 3 - 3"

Figure 10927 – Lower Head

Ref. No.	3M Part No.	Description
10927-1	78-8137-3300-9	Buffing Arm – Sub Assembly
10927-2	78-8137-3301-7	Buffing Arm – Sub Assembly
10927-3	78-8091-0799-4	Shaft – 10 x 85, W/Hexagon
10927-4	78-8137-1397-7	Roller – Buffing
10927-5	78-8076-4739-7	Spacer – Spring
10927-6	78-8052-6580-4	Spacer
10927-7	26-1003-5829-5	Screw – Hex Hd, M6 x 12
10927-8	78-8137-3312-4	Spring – Lower (100 fpm)
10927-9	78-8070-1244-4	Holder – Spring

THIS PAGE IS BLANK



